

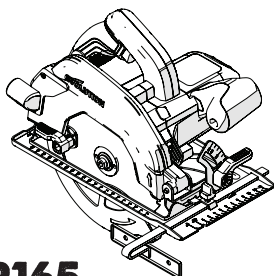
evOLUTION®

evolutionpowertools.com

Original Instructions
Originalbetriebsanleitung
Notice Originale

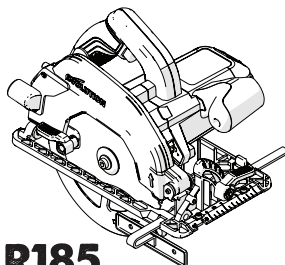
Instrucciones Originales
Oryginalna Instrukcja
Instruções Originais

Instrucțiuni Inițiale
Оригинальные Инструкции
Orijinal Talimatlar



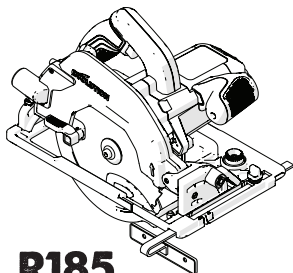
R165
CCSL

026-0001, 026-0002,
026-0003, 026-0004



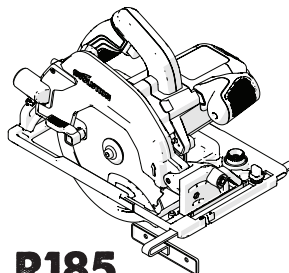
R185
CCS

027-0001C, 027-0002C,
027-0003C, 027-0006,
027-0010



R185
CCSX

027-0001, 027-0002,
027-0003, 027-0004C,



R185
CCSX+

027-0001A, 027-0002A,
027-0003A, 027-0004A,
027-0006A



GB2438285

Originally written in UK English

Date Published: 01 / 11 / 2018

TABLE OF CONTENTS

INTRODUCTION			
Warranty	Page 3		
Specifications	Page 4		
Items Supplied	Page 4		
Vibration	Page 6		
Labels And Symbols	Page 6		
Intended Use Of This Power Tool	Page 7		
Prohibited Use Of This Power Tool	Page 7		
SAFETY PRECAUTIONS			
Electrical Safety	Page 7		
Outdoor Use	Page 7		
General Power Tool Safety Instructions	Page 7		
Health Advice	Page 9		
Safety Instructions For All Saws	Page 9		
Additional Safety Instructions For Circular Saws	Page 11		
GETTING STARTED			
Unpacking	Page 11		
Machine Overview	Page 12		
Preparation	Page 23		
Installing/Removing A Blade	Page 23		
Parallel Edge Guide	Page 24		
Cutting Depth Adjustment	Page 24		
Cutting Angle Adjustment	Page 24		
Operating Advice (Pre Operation Checks)	Page 24		
PPE	Page 25		
The On/Off Trigger Switch	Page 25		
Cutting Tracks	Page 26		
ADDITIONAL ADVICE			
Debris Collection Port	Page 28		
Led Light	Page 29		
Specialised Adjustments	Page 30		
General Cutting Advice	Page 30		
Cut Material Ejection Port	Page 30		
MAINTENANCE & ADJUSTMENTS			Page 30
Checking & Replacing Carbon Brushes			Page 31
General Maintenance & Cleaning			Page 31
Environmental Protection			Page 31
DECLARATION OF CONFORMITY			Page 32

**(1.2) INTRODUCTION
IMPORTANT**

Please read these operating and safety instructions carefully and completely.

For your own safety, if you are uncertain about any aspect of using this equipment please access the relevant Technical Helpline, the number of which can be found on the Evolution Power Tools website. We operate several Helplines throughout our worldwide organization, but Technical help is also available from your supplier.

(1.3) CONTACT:

Web: www.evolutionpowertools.com

UK/EU/AUS: customer.services@evolutionpowertools.com

USA: evolutioninfo@evolutionpowertools.com

(1.4) WARRANTY

Congratulations on your purchase of an Evolution Power Tools Machine. Please complete your product registration 'online' as explained in the registration leaflet included with this machine. This will enable you to validate your machine's warranty period via Evolutions website by entering your details and thus ensure prompt service if ever needed.

We sincerely thank you for selecting a product from Evolution Power Tools.

SPECIFICATIONS

MACHINE SPECIFICATIONS	USA			
	R165CCSL	R185CCS	R185CCSX	R185CCSX+
Model No:	026-0004	027-0004	027-0004C	027-0004A
Motor EU (220-240V ~ 50 Hz)				
Motor UK (110V ~ 50 Hz)				
Motor USA (120V ~ 60 Hz)	10A	15A	15A	15A
No-Load Speed (220-240v)				
No-Load Speed (110v & 120v)	3900 min ⁻¹ / rpm	3700 min ⁻¹ / rpm	3700 min ⁻¹ / rpm	3700 min ⁻¹ / rpm
Weight	9.5 lb	10.8 lb	11.2 lb	11.2 lb
Max. Blade Bevel Angle (Degrees)	45°	60°	45°	45°
Power Cable Length	10 ft	13 ft	13 ft	13 ft
Circular Saw Base Type	Pressed Steel	Cast Aluminum	Cast Aluminum	Cast Aluminum
Cutting Track Compatible			✓	✓

CUTTING CAPACITIES	R165CCSL	R185CCS	R185CCSX	R185CCSX+
Mild Steel Plate (Max. Thickness)	1/8"	1/4"	1/4"	1/4"
Mild Steel Box Section (Max. Wall)	1/8"	1/4"	1/4"	1/4"
Max. Cutting Thickness (0°)	2-3/32"	2-1/2"	2-1/2" (2-5/16" w/Track)	2-1/2" (2-5/16" w/Track)
Max. Cutting Thickness (45°)	1-11/32"	1-9/16"	1-13/16" (1-5/8" w/Track)	1-13/16" (1-5/8" w/Track)
Max. Cutting Thickness (60°)		1"		

BLADE SPECIFICATIONS	R165CCSL	R185CCS	R185CCSX	R185CCSX+
Blade Diameter	Ø 6-1/2"	Ø 7-1/4"	Ø 7-1/4"	Ø 7-1/4"
Number of Teeth	14	20	16	20
Bore Diameter	25/32"	25/32"	25/32"	25/32"
Kerf	1.7mm	1.7mm	1.7mm	1.7mm

NOISE & VIBRATION DATA	R165CCSL	R185CCS	R185CCSX	R185CCSX+
Sound Pressure Level L_{pA}	92,4dB(A) K=3dB(A)	94,3dB(A) K=3 dB(A)	94,3dB(A) K=3 dB(A)	94,3dB(A) K=3 dB(A)
Sound Power Level L_{WA}	103,4dB(A) K=3dB(A)	105,3dB(A) K=3 dB(A)	105,3dB(A) K=3 dB(A)	105,3dB(A) K=3 dB(A)
Vibration - Main Handle (Sawing Wood)	$a_{hw} = 2,747m/s^2$	$A_{hw} = 3,347m/s^2$	$a_{hw} = 3,347m/s^2$	$a_{hw} = 3,347m/s^2$
Vibration - Auxiliary Handle (Sawing Wood)	$a_{hw} = 2,619m/s^2$	$A_{hw} = 3,119m/s^2$	$a_{hw} = 3,119m/s^2$	$a_{hw} = 3,119m/s^2$
Vibration - Main Handle (Sawing Metal)	$a_{hm} = 2,302m/s^2$	$a_{hm} = 3,572m/s^2$	$a_{hm} = 3,572m/s^2$	$a_{hm} = 3,572m/s^2$
Vibration - Auxiliary Handle (Sawing Metal)	$a_{hm} = 2,239m/s^2$	$a_{hm} = 3,241m/s^2$	$a_{hm} = 3,241m/s^2$	$a_{hm} = 3,241m/s^2$
Uncertainty K	1,5m/s ²	1,5m/s ²	1,5m/s ²	1,5m/s ²

ITEMS SUPPLIED	R165CCSL	R185CCS	R185CCSX	R185CCSX+
Multi-Material TCT Blade	✓	✓	✓	✓
Hex Key (Blade Change)	✓	✓	✓	✓
Parallel Edge Guide	✓	✓	✓	✓
Dust Port Adapter	✓	✓	✓	✓
Dust Hose Connector	✓	✓	✓	✓
Carry Case				✓
Cutting Track - 340mm (13-3/8") x3			✓	
Connector Bar & Screws (x4)			✓	
LED Light		✓		✓

UK / EU / AUS			
R165CCSL	R185CCS	R185CCSX	R185CCSX+
026-0001 / 026-0002 / 026-0003	027-0001C / 027-0002C / 027-0003C	027-0001 / 027-0002 / 027-0003	027-0001A / 027-0002A / 027-0003A
1200W	1600W	1600W	1600W
1200W	1600W	1600W	1600W
3700 min ⁻¹ / rpm	3900 min ⁻¹ / rpm	3900 min ⁻¹ / rpm	3900 min ⁻¹ / rpm
3700 min ⁻¹ / rpm	3700 min ⁻¹ / rpm	3700 min ⁻¹ / rpm	3700 min ⁻¹ / rpm
4.3 kg	4.9 kg	5.1 kg	5.1 kg
45°	60°	45°	45°
3m	3m	3m	4m
Pressed Steel	Cast Aluminium	Cast Aluminium	Cast Aluminium
		✓	✓

R165CCSL	R185CCS	R185CCSX	R185CCSX+
3mm	6mm	3mm	6mm
3mm	6mm	3mm	6mm
53mm	64mm	64mm (59mm w/Track)	64mm (59mm w/Track)
34mm	40mm	47mm (42mm w/Track)	47mm (42mm w/Track)
	24mm		

R165CCSL	R185CCS	R185CCSX	R185CCSX+
Ø 165mm	Ø 185mm	Ø 185mm	Ø 185mm
14	20	16	20
20mm	20mm	20mm	20mm
1.7mm	1.7mm	1.7mm	1.7mm

R165CCSL	R185CCS	R185CCSX	R185CCSX+
92,4dB(A) K:3dB(A)	94,3dB(A) K=3 dB(A)	94,3dB(A) K=3 dB(A)	94,3dB(A) K=3 dB(A)
103,4dB(A) K:3dB(A)	105,3dB(A) K=3 dB(A)	105,3dB(A) K=3 dB(A)	105,3dB(A) K=3 dB(A)
$a_{h,w} = 2,747m/s^2$	$a_{h,w} = 3,347m/s^2$	$a_{h,w} = 3,347m/s^2$	$a_{h,w} = 3,347m/s^2$
$a_{h,w} = 2,619m/s^2$	$a_{h,w} = 3,119m/s^2$	$a_{h,w} = 3,119m/s^2$	$a_{h,w} = 3,119m/s^2$
$a_{h,M} = 2,302m/s^2$	$a_{h,M} = 3,572m/s^2$	$a_{h,M} = 3,572m/s^2$	$a_{h,M} = 3,572m/s^2$
$a_{h,M} = 2,239m/s^2$	$a_{h,M} = 3,241m/s^2$	$a_{h,M} = 3,241m/s^2$	$a_{h,M} = 3,241m/s^2$
1,5m/s ²	1,5m/s ²	1,5m/s ²	1,5m/s ²

R165CCSL	R185CCS	R185CCSX	R185CCSX+
✓	✓	✓	✓
✓	✓	✓	✓
✓	✓	✓	✓
✓	✓	✓	✓
✓	✓	✓	✓
			✓
		✓	
		✓	
			✓

VIBRATION

(1.5) **Note:** The vibration measurement was made under standard conditions in accordance with: EN 62841-1: 2015, EN 62841-2-5: 2014

Warning: Wear hearing protection!

The declared vibration total value has been measured in accordance with a standard test method and may be used for comparing one tool with another.

The declared vibration total value may also be used in a preliminary assessment of exposure.

(1.6) **WARNING:** When using this machine the operator can be exposed to high levels of vibration transmitted to the hand and arm. It is possible that the operator could develop “Vibration white finger disease” (Raynaud syndrome). This condition can reduce the sensitivity of the hand to temperature as well as producing general numbness. Prolonged or regular users of this machine should monitor the condition of their hands and fingers closely. If any of the symptoms become evident, seek immediate medical advice.

- The measurement and assessment of human exposure to hand-transmitted vibration in the workplace is given in: EN 62841-1 and EN 62841-2-5
- Many factors can influence the actual vibration level during operation e.g. the work surfaces condition and orientation and the type and condition of the machine being used. Before each use, such factors should be assessed, and where possible appropriate working practices adopted. Managing these factors can help reduce the effects of vibration:

Handling

- Handle the machine with care, allowing the machine to do the work.
- Avoid using excessive physical effort on any of the machines controls.
- Consider your security and stability, and the orientation of the machine during use.

Work Surface

- Consider the work surface material;

its condition, density, strength, rigidity and orientation.

WARNING: The vibration emission during actual use of the power tool can differ from the declared total value depending on the ways in which the tool is used.





The need to identify safety measures and to protect the operator are based on an estimation of exposure in the actual conditions of use (taking account of all parts of the operating cycle, such as the times the tool is switched off, when it is running idle, in addition to trigger time).






(1.7) **LABELS & SYMBOLS**

WARNING: Do not operate this machine if warning and/or instruction labels are missing or damaged. Contact Evolution Power Tools for replacement labels.

Note: All or some of the following symbols may appear in the manual or on the product.

(1.8)

Symbol	Description
V	Volts
A	Amperes
Hz	Hertz
Min ⁻¹ / RPM	Speed
~	Alternating Current
n ₀	No Load Speed
	Wear Safety Goggles
	Wear Ear Protection
	Wear Dust Protection
	Read Instructions

	Double Insulated
	CE Certification
	ETL Certification
	Waste Electrical & Electronic Equipment
	Triman - Waste Collection & Recycling
	Warning
	(RCM) Regulatory Compliance Mark for electrical and electronic equipment. Australian/New Zealand Standard 5490

(1.9) INTENDED USE OF THIS POWER TOOL

WARNING: This product is a Hand Operated Circular Saw and has been designed to be used with special Evolution blades. Only use accessories designed for use in this machine and/or those recommended specifically by Evolution Power Tools Ltd.

When fitted with an appropriate blade this machine can be used to cut:

Mild Steel, Aluminium, Wood

Note: Cutting galvanised steel may reduce blade life.

(1.10) PROHIBITED USE OF THIS POWER TOOL

WARNING: This product is a Hand Operated Circular Saw and must only be used as such. It must not be modified in any way, or used to power any other equipment or drive any other accessories other than those mentioned in this Instruction Manual.

(1.11) **WARNING:** This machine is not intended for use by persons (including children) with reduced physical, sensory

or mental capabilities, or lack of experience and knowledge, unless they have been given supervision or instruction concerning the safe use of the machine by a person responsible for their safety and who is competent in its safe use.

Children should be supervised to ensure that they do not have access to, and are not allowed to play with, this machine.

(1.12) ELECTRICAL SAFETY

This machine is fitted with the correct moulded plug and mains lead for the designated market. If the supply cord is damaged, it must be replaced by a special cord or assembly available from the manufacturers or its service agent.

(1.13) OUTDOOR USE

WARNING: For your protection if this tool is to be used outdoors it should not be exposed to rain, or used in damp locations. Do not place the tool on damp surfaces. Use a clean, dry workbench if available. For added protection use a residual current device (R.C.D.) that will interrupt the supply if the leakage current to earth exceeds 30mA for 30ms. Always check the operation of the residual current device (R.C.D.) before using the machine.

If an extension cable is required it must be a suitable type for use outdoors and so labelled. The manufacturers instructions should be followed when using an extension cable.

(2.1) GENERAL SAFETY INSTRUCTIONS

(These General Power Tool Safety Instructions are as specified in EN 62841-1: 2015).

WARNING: Read all safety warnings and instructions. Failure to follow the warnings and instructions may result in electric shock, fire and/ or serious injury. Save all warnings and instructions for future reference. The term "power tool" in the warnings refers to your mains-operated (corded) power tool or battery-operated (cordless) power tool.

(2.2) 1) General Power Tool Safety Warnings [Work area safety]

- a) Keep work area clean and well lit.** Cluttered or dark areas invite accidents.
- b) Do not operate power tools in explosive atmospheres, such as in the presence of flammable liquids, gasses or dust.** Power tools create sparks which may ignite the dust or fumes.
- c) Keep children and bystanders away while operating power tool.** Distractions can cause you to lose control.

(2.3) 2) General Power Tool Safety Warnings [Electrical Safety]

- a) Power tool plugs must match the outlet. Never modify the plug in any way. Do not use any adapter plugs with earthed (grounded) power tools.** Unmodified plugs and matching outlets will reduce risk of electric shock.
- b) Avoid body contact with earthed or grounded surfaces, such as pipes, radiators, ranges and refrigerators.** There is an increased risk of electric shock if your body is earthed or grounded.
- c) Do not expose power tools to rain or wet conditions.** Water entering a power tool will increase the risk of electric shock.
- d) Do not abuse the cord. Never use the cord for carrying, pulling or unplugging the power tool. Keep cord away from heat, oil, sharp edges or moving parts.** Damaged or entangled cords increase the risk of electric shock.
- e) When operating a power tool outdoors, use an extension cord suitable for outdoor use.** Use of a cord suitable for outdoor use reduces the risk of electric shock.
- f) If operating a power tool in a damp location is unavoidable, use a residual current device (RCD) protected supply.** Use of an RCD reduces the risk of electric shock.

Note: The product is intended for use only in premises having a service current capacity $\geq 100\text{A}$ per phase, supplied from a distribution network having a nominal voltage of 230V. If required, contact the electricity company to ensure that the mains current carrying capacity at the connection point to the public power grid is adequate for connecting the product.

(2.4) 3) General Power Tool Safety Warnings [Personal Safety].

- a) Stay alert, watch what you are doing and use common sense when operating a power tool.** Do not use a power tool while you are tired or under the influence of drugs, alcohol or medication. A moment of inattention while operating power tools may result in serious personal injury.
- b) Use personal protective equipment.** Always wear eye protection. Protective equipment such as dust masks, non-skid safety shoes, hard hat or hearing protection used for appropriate conditions will reduce personal injuries.
- c) Prevent unintentional starting.** Ensure the switch is in the off-position before connecting to power source and or battery pack, picking up or carrying the tool. Carrying power tools with your finger on the switch or energising the power tools that have the switch on invites accidents.
- d) Remove any adjusting key or wrench from blade bolt before turning the power tool on.** A wrench or key left attached to a rotating part of a power tool may result in personal injury.
- e) Do not overreach. Keep proper footing and balance at all times.** This enables better control of the power tool in unexpected situations.
- f) Dress properly.** Do not wear loose clothing or jewellery. Keep your hair, clothing and gloves away from moving parts. Loose clothes, jewellery or long hair can be caught in moving parts.
- g) If devices are provided for the connection of dust extraction and collection facilities, ensure that these are connected and properly used.** Use of dust collection can reduce dust-related hazards.
- h) Do not let familiarity gained from frequent use of tools allow you to become complacent and ignore tool safety principles.** A careless action can cause severe injury within a fraction of a second.

(2.5) 4) General Power Tool Safety Warnings [Power tool use and care].

- a) Do not force the power tool.** Use the correct power tool for your application. The correct power tool will do the job better and safer at a rate for which it was designed.

b) Do not use the power tool if the switch does not turn it on or off. Any power tool that cannot be controlled with the switch is dangerous and must be repaired.

c) Disconnect the power tool from the power source from the power tool before making any adjustments, changing accessories, or storing power tools. Such preventative safety measures reduce the risk of starting the power tool accidentally.

d) Store idle power tools out of the reach of children and do not allow persons unfamiliar with the power tool or these instructions to operate the power tool.

Power tools are dangerous in the hands of untrained users.

e) Maintain power tools. Check for misalignment or binding of moving parts, breakage of moving parts and any other condition that may affect the power tools operation. If damaged, have the power tool repaired before use. Many accidents are caused by poorly maintained power tools.

f) Keep cutting tools sharp and clean.

Properly maintained cutting tools with sharp cutting edges are less likely to bind and are easier to control.

g) Use the power tool, accessories and tool bits etc. in accordance with these instructions, taking into account the working conditions and the work to be performed. Use of the power tool for operations different from those intended could result in a hazardous situation.

h) Keep handles and grasping surfaces dry, clean and free from oil and grease. Slippery handles and grasping surfaces do not allow for safe handling and control of the tool in unexpected situations.

(2.6) 5) General Power Tool Safety Warnings [Service]

a) Have your power tool serviced by a qualified repair person using only identical replacement parts. This will ensure that the safety of the power tool is maintained.

(2.7) HEALTH ADVICE

WARNING: When using this machine, dust particles may be produced. In some instances, depending on the materials you are working with, this dust can be particularly harmful. If you suspect that paint on the surface of material you wish to cut contains lead, seek professional advice. Lead based paints should only be removed by a professional and you should not attempt to remove it yourself.

Once the dust has been deposited on surfaces, hand to mouth contact can result in the ingestion of lead. Exposure to even low levels of lead can cause irreversible brain and nervous system damage. The young and unborn children are particularly vulnerable. You are advised to consider the risks associated with the materials you are working with and to reduce the risk of exposure.

As some materials can produce dust that may be hazardous to your health, we recommend the use of an approved face mask with replaceable filters when using this machine.

You should always:

- Work in a well-ventilated area.
- Work with approved safety equipment, such as dust masks that are specially designed to filter microscopic particles.

(2.8) **WARNING:** the operation of any power tool can result in foreign objects being thrown towards your eyes, which could result in severe eye damage. Before beginning power tool operation, always wear safety goggles or safety glasses with side shield or a full face shield where necessary.

SAFETY INSTRUCTIONS FOR ALL SAWS [Cutting procedures]

a) DANGER: Keep hands away from cutting area and the blade. Keep your second hand on auxiliary handle, or motor housing. If both hands are holding the saw, they cannot be cut by the blade.

b) Do not reach underneath the workpiece. The guard cannot protect you from the blade below the workpiece.

c) Adjust the cutting depth to the thickness of

the workpiece. Less than a full tooth of the blade teeth should be visible below the workpiece.

d) Never hold the workpiece in your hands or across your leg while cutting. Secure the workpiece to a stable platform. It is important to support the work properly to minimise body exposure, blade binding, or loss of control.

e) Hold the power tool by insulated gripping surfaces, when performing an operation where the cutting tool may contact hidden wiring or its own cord.

Contact with a "live" wire will also make exposed metal parts of the power tool 'live' and could give the operator an electric shock.

f) When ripping, always use a rip fence or straight edge guide. This improves the accuracy of cut and reduces the chance of blade binding.

g) Always use blades with correct size and shape (diamond versus round) of arbour holes. Blades that do not match the mounting hardware of the saw will run off-centre, causing loss of control.

h) Never use damaged or incorrect blade washers or bolt. The blade washers and bolt were specially designed for your saw, for optimum performance and safety of operation.

(3.2) [Kickback causes and related warnings]

Kickback is a sudden reaction to a pinched, jammed or misaligned saw blade, causing an uncontrolled saw to lift up and out of the workpiece toward the operator;

When the blade is pinched or jammed tightly by the kerf closing down, the blade stalls and the motor reaction drives the unit rapidly back toward the operator;

If the blade becomes twisted or misaligned in the cut, the teeth at the back edge of the blade can dig into the top surface of the wood causing the blade to climb out of the kerf and jump back toward the operator.

(3.3) Kickback is the result of saw misuse and/or incorrect operating procedures or conditions and can be avoided by taking proper precautions as given below.

a) Maintain a firm grip with both hands on the saw and position your arms to resist kickback forces. Position your body to either side of the blade, but not in line with the blade. Kickback could cause the saw to jump backwards, but kickback forces can be controlled by the operator, if proper precautions are taken.

b) When blade is binding, or when interrupting a cut for any reason, release the trigger and hold the saw motionless in the material until the blade comes to a complete stop. Never attempt to remove the saw from the work or pull the saw backward while the blade is in motion or kickback may occur. Investigate and take corrective actions to eliminate the cause of blade binding.

c) When restarting a saw in the workpiece, centre the saw blade in the kerf so that the saw teeth are not engaged into the material. If a saw blade binds, it may walk up or kickback from the workpiece as the saw is restarted.

d) Do not use dull or damaged blades. Unsharpened or improperly set blades produce narrow kerf causing excessive friction, blade binding and kickback.

e) Blade depth and bevel adjusting locking levers must be tight and secure before making a cut. If the blade adjustment shifts while cutting it may cause binding and kickback.

f) Blade depth and bevel adjusting locking levers must be tight and secure before making the cut. If blade adjustment shifts while cutting, it may cause binding and kickback.

g) Use extra caution when sawing into existing walls or other blind areas. The protruding blade may cut objects that can cause kickback.

LOWER GUARD FUNCTION

a) Check the lower guard for proper closing before each use. Do not operate the saw if the lower guard does not move freely and close instantly. Never clamp or tie the lower guard into the open position. If the saw is accidentally dropped, the lower guard may be bent. Raise the lower guard with the retracting handle and make sure it moves freely and does not touch the blade or any other part, in all

angles and depths of cut.

b) Check the operation of the lower guard spring. If the guard and the spring are not operating properly, they must be serviced before use. Lower guard may operate sluggishly due to damaged parts, gummy deposits, or a build-up of debris.

c) The lower guard may be retracted manually only for special cuts such as "plunge cuts" and "compound cuts". Raise the lower guard by the retracting handle and as soon as the blade enters the material, the lower guard must be released.

For all other sawing, the lower guard should operate automatically.

d) Always observe that the lower guard is covering the blade before placing the saw down on bench or floor. An unprotected, coasting blade will cause the saw to walk backwards, cutting whatever is in its path. Be aware of the time it takes for the blade to stop after switch is released.

ADDITIONAL SAFETY INSTRUCTIONS FOR CIRCULAR SAWS

a) Do not use High Speed Steel (HSS) saw blades.

b) Inspect the machine and the blade before each use. Do not use deformed, cracked, worn or otherwise damaged blades.

c) Never use the saw without the original guard protection system. Do not lock the moving guard in the open position. Ensure that the guard operates freely without jamming.

d) Only use blades that comply with the characteristics specified in this manual. Before using accessories, always compare the maximum allowed RPM of the accessory with the RPM of the machine.

e) Do not use any abrasive wheels.

f) Use only blade diameter(s) in accordance with the markings.

(3.4) WARNING: If any parts are missing, do not operate your machine until the missing parts are replaced. Failure to follow this rule could result in serious personal injury.

(4.1) GETTING STARTED - UNPACKING

Caution: This packaging contains sharp objects. Take care when unpacking. Remove the machine, together with the accessories supplied from the packaging. Check carefully to ensure that the machine is in good condition and account for all the accessories listed in this manual. Also make sure that all the accessories are complete. If any parts are found to be missing, the machine and its accessories should be returned together in their original packaging to the retailer.

Do not throw the packaging away; keep it safe throughout the warranty period. Dispose of the packaging in an environmentally responsible manner. Recycle if possible.

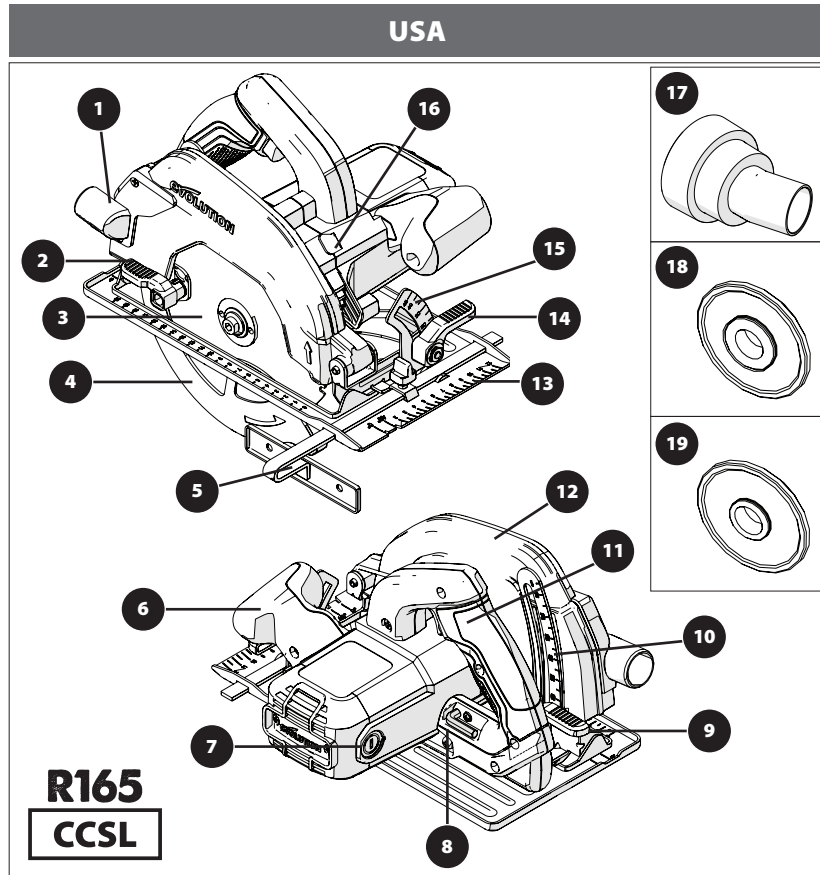
Do not let children play with empty plastic bags due to the risk of suffocation.

(4.3) Evolution Instruction Manuals

Evolution Power Tools provides each product with an Instruction Manual.

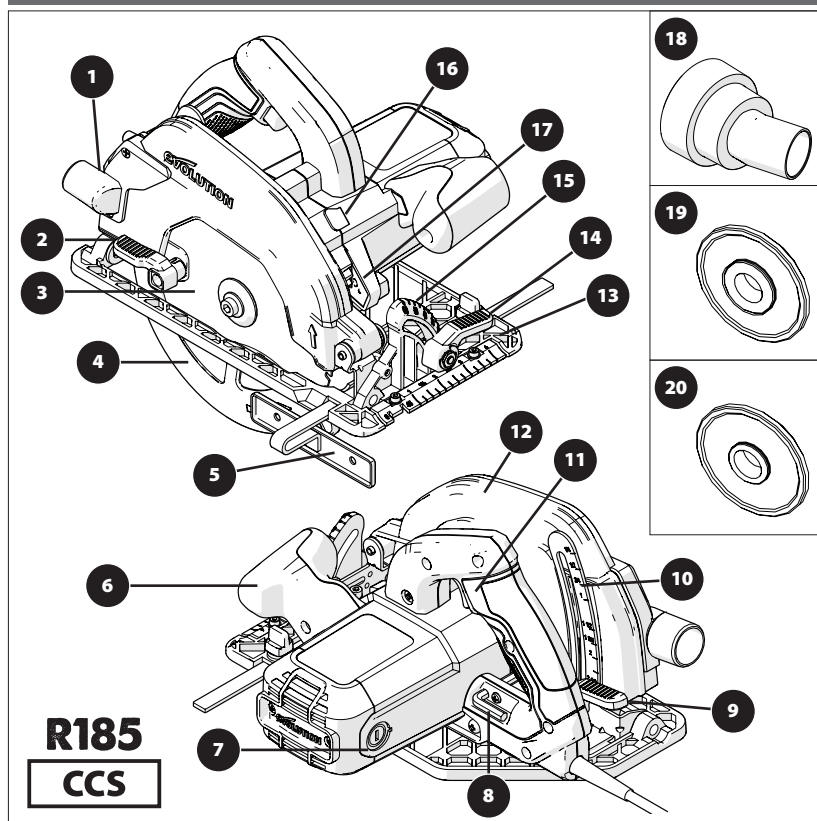
Each dedicated manual is carefully constructed and designed to provide easily accessible and useful information regarding the safe use, care and maintenance of the product. Referencing the information contained within the manual will allow the operator to fully and safely exploit the potential of the machine.

Evolutions policy of continual product development may mean that, very occasionally, the contents of a manual may not completely reflect the latest improvements or upgrades that have been incorporated into a particular product. Upgrades/improvements to the specification of a product could come about as a consequence of technological advances or changes to the legislative framework of the receiving country, etc. If you are at all unsure about any aspect of the use, care or maintenance of an Evolution product, contact the relevant Evolution helpline where up to date information and extra advice will be available.



- | | |
|-----------------------------------|-------------------------------------|
| 1. CUT MATERIAL EJECTION PORT | 13. PRECISION ENGINEERED SOLE PLATE |
| 2. THUMB LEVER | 14. THUMB LEVER |
| 3. MULTI-MATERIAL TCT BLADE | 15. PROTRACTOR SCALE |
| 4. LOWER BLADE GUARD | 16. ARBOR LOCK BUTTON |
| 5. PARALLEL EDGE GUIDE | 17. DUST PORT CONNECTOR |
| 6. ERGONOMIC FRONT HANDLE | 18. 25/32" INNER BLADE FLANGE |
| 7. CARBON BRUSHES | 19. 5/8" INNER BLADE FLANGE |
| 8. 8MM HEX KEY (BLADE CHANGE) | |
| 9. DEPTH ADJUSTMENT LOCKING LEVER | |
| 10. DEPTH SCALE | |
| 11. REAR HANDLE | |
| 12. UPPER BLADE GUARD | |

USA



**R185
CCS**

- | | |
|-----------------------------------|-------------------------------------|
| 1. CUT MATERIAL EJECTION PORT | 13. PRECISION ENGINEERED SOLE PLATE |
| 2. THUMB LEVER | 14. BEVEL ADJUSTMENT THUMB LEVER |
| 3. MULTI-MATERIAL TCT BLADE | 15. PROTRACTOR SCALE |
| 4. LOWER BLADE GUARD | 16. ARBOR LOCK BUTTON |
| 5. PARALLEL EDGE GUIDE | 17. LED LIGHT |
| 6. ERGONOMIC FRONT HANDLE | 18. DUST PORT CONNECTOR |
| 7. CARBON BRUSHES | 19. 25/32" INNER BLADE FLANGE |
| 8. 5/16" HEX KEY (BLADE CHANGE) | 20. 5/8" INNER BLADE FLANGE |
| 9. DEPTH ADJUSTMENT LOCKING LEVER | |
| 10. DEPTH SCALE | |
| 11. REAR HANDLE ON/OFF SWITCH | |
| 12. UPPER BLADE GUARD | |

ES

DE

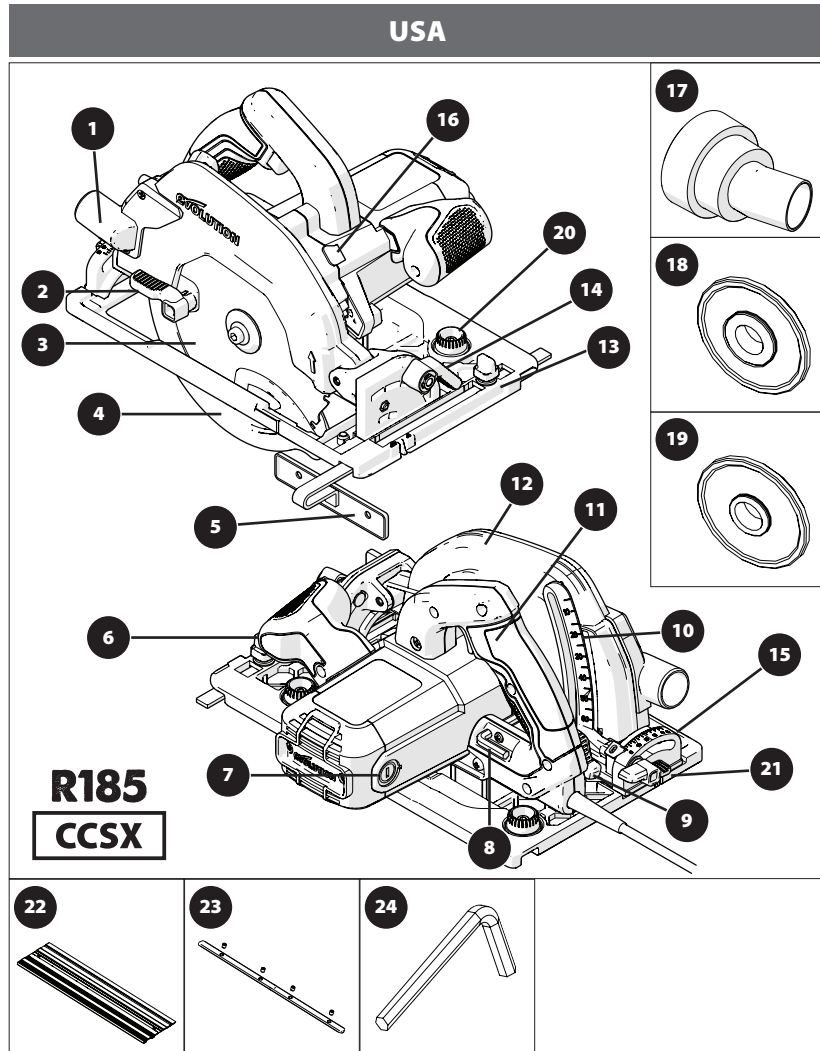
FR

IT

PL

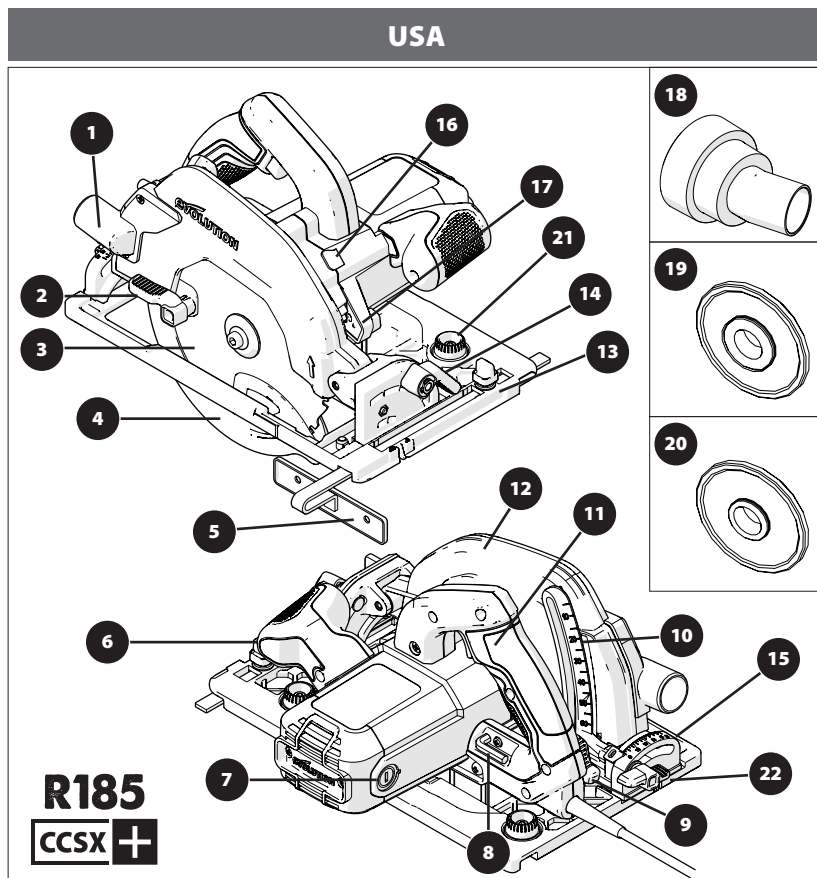
PT

RO



- | | | |
|--|---|--|
| <ul style="list-style-type: none"> 1. CUT MATERIAL EJECTION PORT 2. THUMB LEVER 3. MULTI-MATERIAL TCT BLADE 4. LOWER BLADE GUARD 5. PARALLEL EDGE GUIDE 6. ERGONOMIC FRONT HANDLE 7. CARBON BRUSHES 8. 5/16" HEX KEY (BLADE CHANGE) 9. DEPTH ADJUSTMENT LEVER | <ul style="list-style-type: none"> 10. DEPTH SCALE 11. REAR HANDLE ON/OFF SWITCH 12. UPPER BLADE GUARD 13. PRECISION ENGINEERED TRACK COMPATIBLE SOLE PLATE 14. THUMB LEVER 15. REAR PROTRACTOR SCALE 16. ARBOR LOCK BUTTON 17. DUST PORT CONNECTOR | <ul style="list-style-type: none"> 18. 25/32" INNER BLADE FLANGE 19. 5/8" INNER BLADE FLANGE 20. TRACK ADJUST TURN BUTTONS 21. REAR BEVEL THUMB SCREW 22. 3x 13-3/8" TRACK 23. 4x TRACK CONNECTOR BARS 24. 1/8" HEX KEY (TRACK) |
|--|---|--|

USA

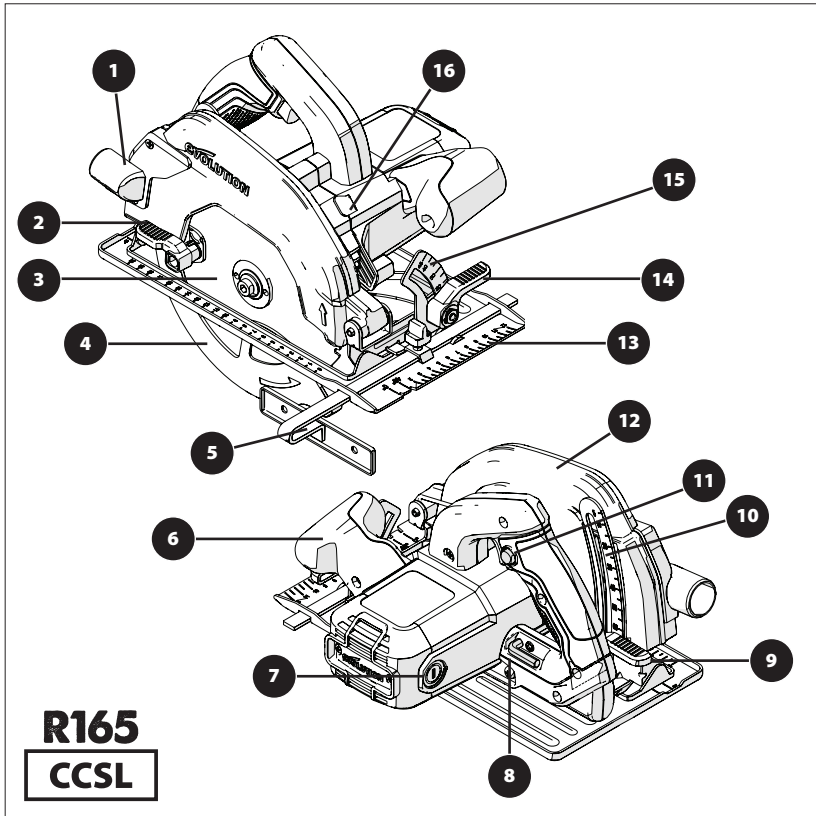


R185



- | | |
|---|--|
| <ul style="list-style-type: none"> 1. CUT MATERIAL EJECTION PORT 2. THUMB LEVER 3. MULTI-MATERIAL TCT BLADE 4. LOWER BLADE GUARD 5. PARALLEL EDGE GUIDE 6. ERGONOMIC FRONT HANDLE 7. CARBON BRUSHES 8. 8MM HEX KEY (BLADE CHANGE) 9. DEPTH ADJUSTMENT LOCKING LEVER 10. DEPTH SCALE 11. REAR HANDLE ON/OFF SWITCH 12. UPPER BLADE GUARD | <ul style="list-style-type: none"> 13. PRECISION ENGINEERED TRACK COMPATIBLE SOLE PLATE 14. THUMB LEVER 15. REAR PROTRACTOR SCALE 16. ARBOR LOCK BUTTON 17. LED LIGHT 18. DUST PORT CONNECTOR 19. 25/32" INNER BLADE FLANGE 20. 5/8" INNER BLADE FLANGE 21. TRACK ADJUST TURN BUTTONS 22. REAR BEVEL THUMB SCREW |
|---|--|

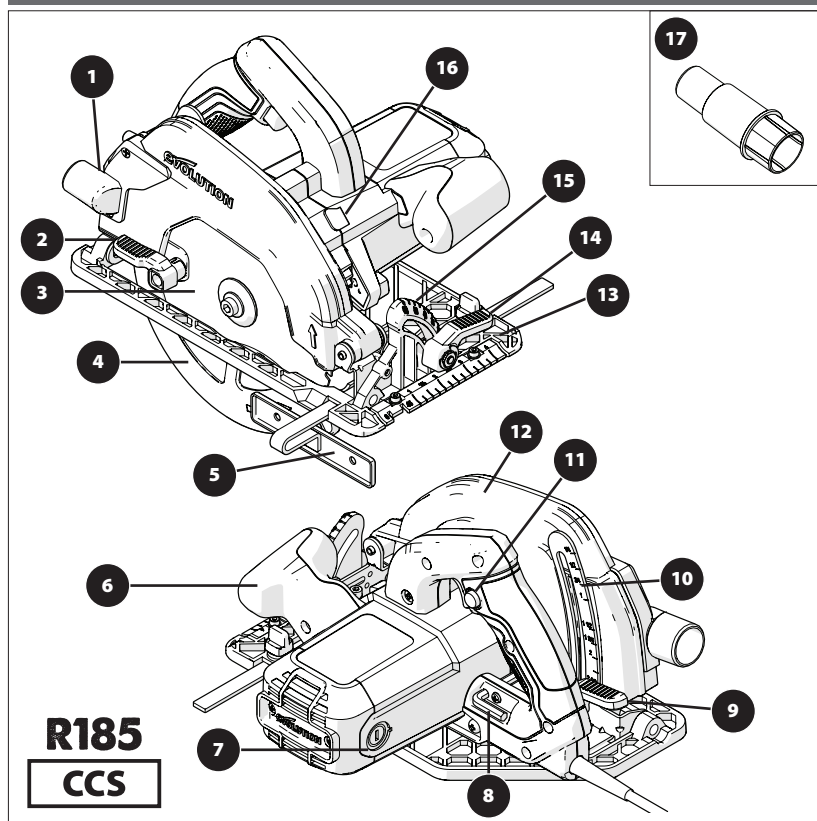
UK / EU / AUS



**R165
CCSL**

- | | |
|---|-------------------------------------|
| 1. CUT MATERIAL EJECTION PORT | 12. UPPER BLADE GUARD |
| 2. THUMB LEVER | 13. PRECISION ENGINEERED SOLE PLATE |
| 3. MULTI-MATERIAL TCT BLADE | 14. THUMB LEVER |
| 4. LOWER BLADE GUARD | 15. PROTRACTOR SCALE |
| 5. PARALLEL EDGE GUIDE | 16. ARBOR LOCK BUTTON |
| 6. ERGONOMIC FRONT HANDLE | |
| 7. CARBON BRUSHES | |
| 8. 8MM HEX KEY (BLADE CHANGE) | |
| 9. DEPTH ADJUSTMENT LOCKING LEVER | |
| 10. DEPTH SCALE | |
| 11. REAR HANDLE INCORPORATING
SAFETY START ON/OFF SWITCH | |

UK / EU



- | | |
|--|-------------------------------------|
| 1. CUT MATERIAL EJECTION PORT | 12. UPPER BLADE GUARD |
| 2. THUMB LEVER | 13. PRECISION ENGINEERED SOLE PLATE |
| 3. MULTI-MATERIAL TCT BLADE | 14. THUMB LEVER |
| 4. LOWER BLADE GUARD | 15. PROTRACTOR SCALE |
| 5. PARALLEL EDGE GUIDE | 16. ARBOR LOCK BUTTON |
| 6. ERGONOMIC FRONT HANDLE | 17. DUST PORT CONNECTOR |
| 7. CARBON BRUSHES | |
| 8. 8MM HEX KEY (BLADE CHANGE) | |
| 9. DEPTH ADJUSTMENT LOCKING LEVER | |
| 10. DEPTH SCALE | |
| 11. REAR HANDLE INCORPORATING SAFETY START ON/OFF SWITCH | |

ES

DE

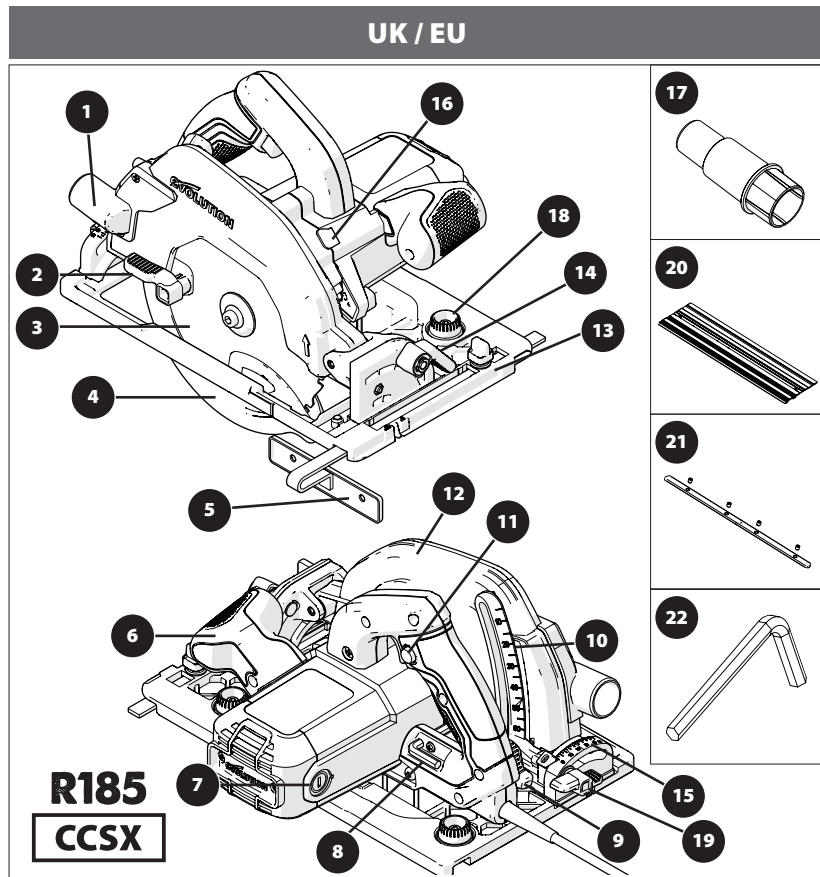
FR

IT

PL

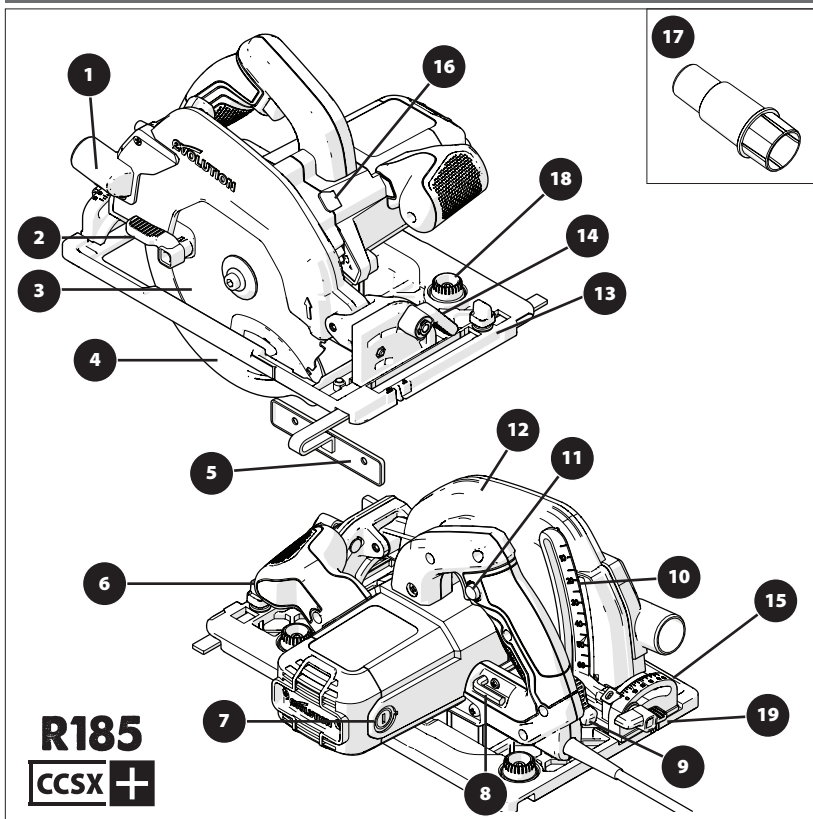
PT

RO



- | | |
|--|--|
| 1. CUT MATERIAL EJECTION PORT | 12. UPPER BLADE GUARD |
| 2. THUMB LEVER | 13. PRECISION ENGINEERED TRACK COMPATIBLE SOLE PLATE |
| 3. MULTI-MATERIAL TCT BLADE | 14. THUMB LEVER |
| 4. LOWER BLADE GUARD | 15. REAR PROTRACTOR SCALE |
| 5. PARALLEL EDGE GUIDE | 16. ARBOR LOCK BUTTON |
| 6. ERGONOMIC FRONT HANDLE | 17. DUST PORT CONNECTOR |
| 7. CARBON BRUSHES | 18. TRACK ADJUST TURN BUTTONS |
| 8. 8MM HEX KEY (BLADE CHANGE) | 19. REAR BEVEL THUMB SCREW |
| 9. DEPTH ADJUSTMENT LOCKING LEVER | 20. 3x 340mm TRACK |
| 10. DEPTH SCALE | 21. 4x TRACK CONNECTOR BARS |
| 11. REAR HANDLE INCORPORATING SAFETY START ON/OFF SWITCH | 22. 3mm HEX KEY |

UK / EU



R185



- | | |
|---|--|
| <ul style="list-style-type: none"> 1. CUT MATERIAL EJECTION PORT 2. THUMB LEVER 3. MULTI-MATERIAL TCT BLADE 4. LOWER BLADE GUARD 5. PARALLEL EDGE GUIDE 6. ERGONOMIC FRONT HANDLE 7. CARBON BRUSHES 8. 8MM HEX KEY (BLADE CHANGE) 9. DEPTH ADJUSTMENT LOCKING LEVER 10. DEPTH SCALE 11. REAR HANDLE INCORPORATING SAFETY START ON/OFF SWITCH | <ul style="list-style-type: none"> 12. UPPER BLADE GUARD 13. PRECISION ENGINEERED TRACK COMPATIBLE SOLE PLATE 14. THUMB LEVER 15. REAR PROTRACTOR SCALE 16. ARBOR LOCK BUTTON 17. DUST PORT CONNECTOR 18. TRACK ADJUST TURN BUTTONS 19. REAR BEVEL THUMB SCREW |
|---|--|

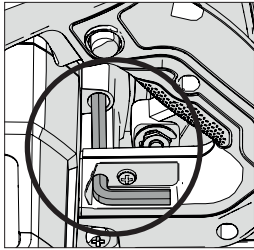


Fig. 1

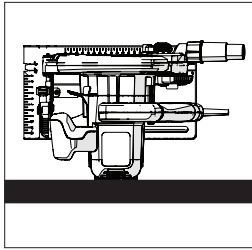


Fig. 2

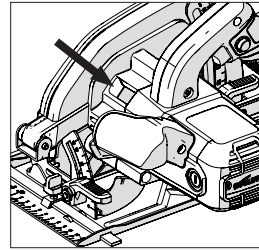


Fig. 3

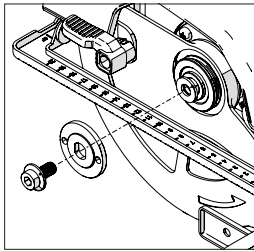


Fig. 4

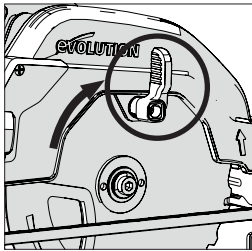


Fig. 5

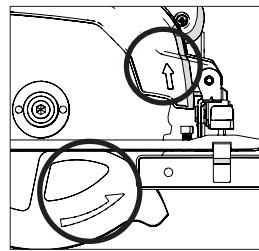


Fig. 6

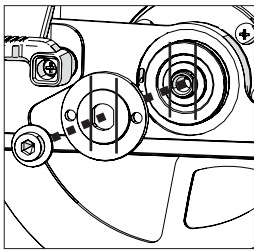


Fig. 7a

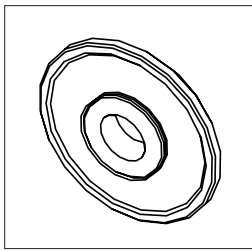


Fig. 7b

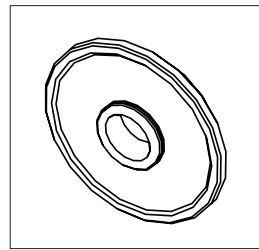


Fig. 7c

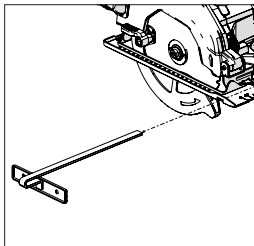


Fig. 8

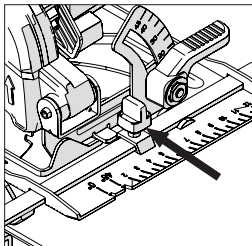


Fig. 9

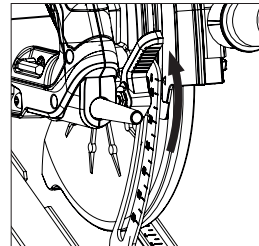


Fig. 10

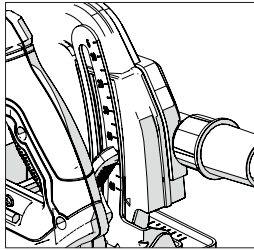


Fig. 11

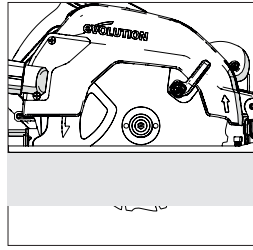


Fig. 12

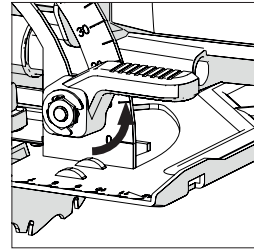


Fig. 13

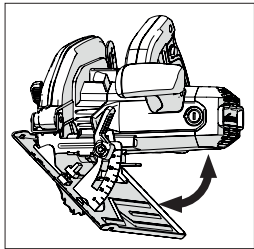


Fig. 14

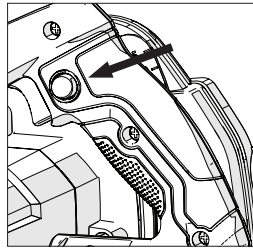


Fig. 15

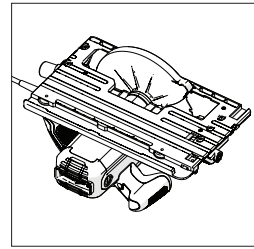


Fig. 16

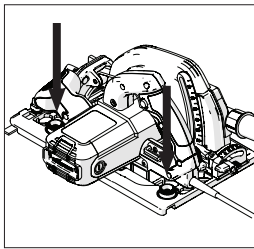


Fig. 17

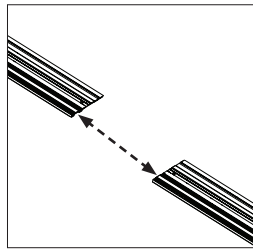


Fig. 18

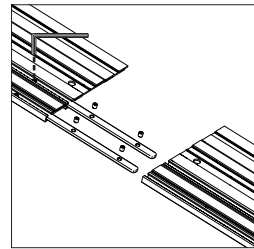


Fig. 19

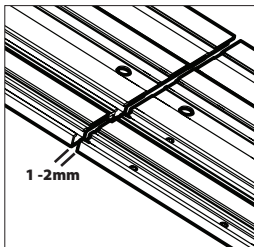


Fig. 20

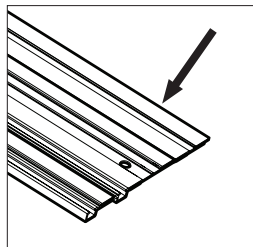


Fig. 21

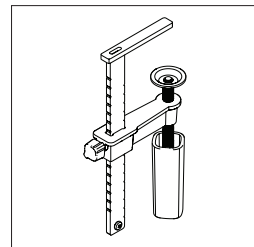


Fig. 22

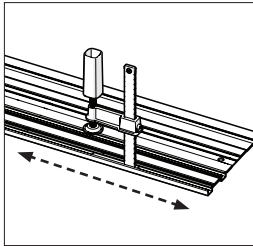


Fig. 23

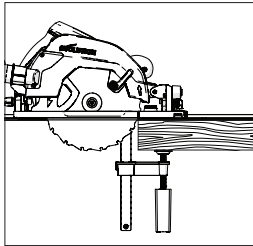


Fig. 24

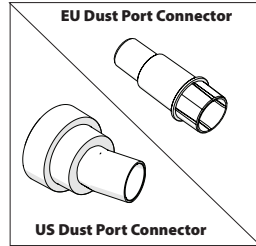


Fig. 25

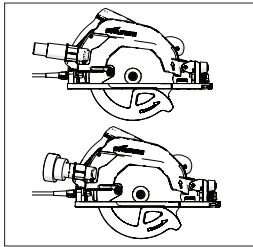


Fig. 26

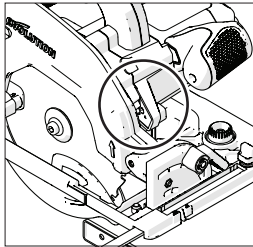


Fig. 27

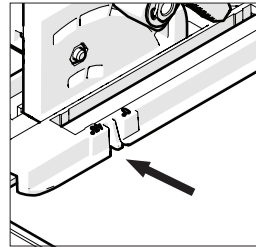


Fig. 28

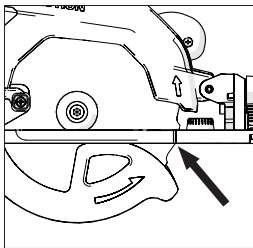


Fig. 29

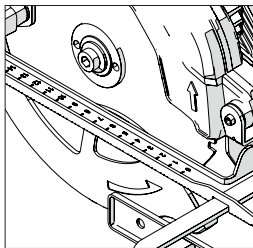


Fig. 30

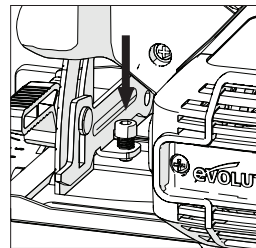


Fig. 31

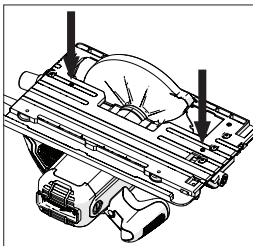


Fig. 32

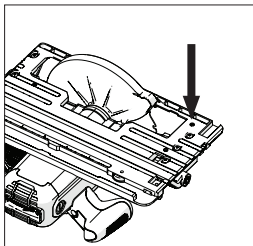


Fig. 33

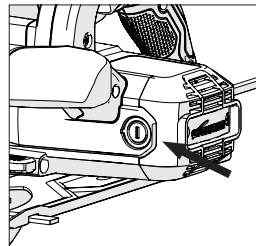


Fig. 34

(10) PREPARATION

WARNING: Always disconnect the machine from the power source before making any adjustments.

Note: These machines are equipped with an approved power cord and plug for the intended country of use. Do not alter or modify the power cord.

(10.1) INSTALLING / REMOVING A BLADE

WARNING: Use only genuine Evolution blades (or those approved by Evolution Power Tools), which are designed for use in these machines. Ensure that the maximum speed of the blade is compatible with the machine. Only perform this operation with the machine disconnected from the power supply.

Note: It is recommended that the operator considers wearing protective gloves when handling the blade during installation or when changing the machines blade.

- Locate the supplied Blade Change Hex Key which is housed in the onboard storage facility (similarly position on all machines). **(Fig. 1)**
- Place saw on a level, secure surface.

Note: All machines can, with care, be balanced on the flat end of the motor housing casing, **(Fig. 2)** making access to the blade and blade fixings very convenient.

- Locate the machines arbor lock button (which is similarly positioned on all machines). Lock the machines arbor by operating the arbor lock button. **(Fig. 3)**.

Note: Slowly rotating the blade by hand, whilst gently pressing the arbor lock button will aid arbor lock engagement.

- Using the Hex Key, loosen and remove the arbor socket headed screw, associated fixings, and outer blade drive flange. **(Fig. 4)**

Note: The socket headed arbor screw is equipped with a standard screw thread.

Turn the screw clockwise to tighten. Turn the screw counter clockwise to loosen.

- Safely store the outer blade flange and associated fixings.
- Rotate the lower blade guard up into the upper blade guard using the manual thumb lever. **(Fig. 5)**
- Carefully remove the blade (if fitted) from the machine.
- Thoroughly clean inner and outer blade drive flanges.

Note: The inner blade flange can be left in place if desired, but it should be checked and thoroughly cleaned. If it is removed from the machine it must be replaced back in the same orientation as it was before removal.

- Thoroughly clean the blade around the bore area (both surfaces) where the blade flanges will touch and clamp the blade.
- Install the (new) blade.
- Ensure that the direction of rotation arrows printed on the blade, match the direction of rotation arrows found on the machines upper and lower blade guards. **(Fig. 6)**
- Reinstall the outer drive flange, the socket headed arbor screw, and its associated fixings.

Note: The outer drive flange has a specially machined bore which incorporates two opposed 'flats.' **(Fig. 7a)** These 'flats' engage with two complimentary 'flats' machined into the machines arbor shaft.

- Re-engage the arbor lock and tighten the arbor socket headed screw securely using the Hex Key.
- Release the arbor lock button
- Return the Hex Key to its dedicated storage position.
- Check that the arbor lock has fully released by manually rotating the blade.
- Check the operation of the lower blade guard.

Note: For North American market only, a dual side arbor flange is included, to allow 1" bore blades **(Fig. 7b)** and 5/8" bore blades **(Fig. 7c)**.

(11) PARALLEL EDGE GUIDE

A Parallel Edge Guide (**Fig. 8**) which can be particularly helpful when rip cutting, is supplied with all CCS machines. The guide can be fitted to the front of the sole plate.

The guides arm should be inserted through the rectangular slots positioned at either side (front) of the pressed steel sole plate, and slid under the centrally located adjustment locking screw.

(Fig. 9)

Note: The Parallel Edge Guide can be fitted on either side of the sole plate.

WARNING: Only fit and adjust the Guide with the machine disconnected from the power supply.

Note: The arm of the Parallel Edge Guide must pass through all of the rectangular slots provided in the sole plate.

WARNING: It is potentially dangerous to install, and try to use the Edge Guide with the arm passing through only one (1) of the machined rectangular sole plate slots. Adjust the edge guide so that it is at the required distance from the blade and tighten the adjusting screw. Check that the edge guide is parallel to the saw blade.

(12) CUTTING DEPTH ADJUSTMENT

Note: All CCS machines share the same general depth adjustment fixtures/fittings and employ the same basic technique for setting the blade depth.

- Loosen the Depth Adjustment Locking Mechanism by pulling the operating lever upwards. (**Fig. 10**)
- Adjust/re-position the sole plate to give the required cutting depth (the amount by which the blade protrudes through the sole plate).

Note: A depth scale can be found on the depth adjustment quadrant, with a corresponding index mark incorporated into the adjacent area of the machines upper blade guard. (**Fig. 11**) Using these features can aid rapid setting.

Note: Although the depth scale and index mark are very useful, enabling rapid depth setting, using them should always be regarded as a guide to the setting achieved.

If a very precise depth of cut is required, then the blade setting should be checked with an engineers precision ruler (not supplied) or similar and adjusted accordingly.

- In most cases the cutting depth should be set at the thickness of the material to be cut plus the depth of half of a saw tooth (tip of the tooth to the tooth root). (**Fig.12**)
- Tighten the Depth Adjustment Locking Mechanism by pushing the operating lever downwards to securely to lock in the machine in the required position.

(13) CUTTING ANGLE (BEVEL) ADJUSTMENT

All CCSL & CCSX machines have the facility to tilt the blade through (up to) 45° and all CCS machines have the facility to tilt the blade through (up to) 60° to the left hand side. Bevel cuts are therefore possible.

Note: The blade is at the vertical position when the protractor scale reads 0°.

Note: A protractor scale (0° - 45° or 0° - 60°) is incorporated on the Bevel Locking quadrant found at the front of the soleplate. Using this will aid rapid bevel angle setting but should be regarded as a guide only.

If a very precise bevel angle is required, then the blade setting should be checked using a vernier angle gauge (not supplied) and adjusted accordingly.

- Loosen the Bevel Locking Mechanism found at the front of the machine, by pulling the lever upwards. (**Fig. 13**)
- Tilt the blade to the required angle as indicated on the quadrant protractor scale. (**Fig. 14**)
- Tighten the Bevel Locking Mechanism securely when the desired bevel angle has been achieved by pushing the lever downwards.

(14) **OPERATING ADVICE (PRE OPERATION CHECKS)**

Note: As all operating environments will be unique and diverse, Evolution Power Tools offers the following general advice on safe operational procedures and practices for the consideration of the operator.

This advice cannot be exhaustive as Evolution has no influence on the type of workshops or working environments in which these machines may be used.

We recommend that the operator seeks advice from a competent authority or the workshop supervisor if they are at unsure of any aspect of using these machines.

It is important that routine safety checks are carried out (at each time of usage) before the operator uses the machine.

WARNING: These pre-use safety checks should be carried out with the machine disconnected from the mains power supply.

- Check that all safety guards are operating correctly, and that all adjustment handles/screws are securely tightened.
- Check that the blade is secure and installed correctly. Also check that it is the correct blade for the material being cut.
- Check the integrity of the power cord.
- Whenever possible clamp the workpiece to a rigid support structure such as a workbench, saw horse or similar.
- The operator should always be aware of the position and routing of the power cable.

(15) **PPE**

- The operator should wear all relevant PPE (Personal Protection Equipment) necessary for the task ahead.
This could include safety glasses, full face mask, dust masks, safety shoes etc.

Note: All CCS series machines are equipped with a cutting line debris blower. This directs air from a motor driven fan towards the area to the front of the blade, thus keeping the cutting line relatively debris free. This feature will aid the operator sight and follow the progress of the saw blade along the cut, keeping any marking-out lines visible.

WARNING: Any and all dust created is potentially prejudicial to health.

Some materials can be particularly harmful, and the operator should always wear a dust mask which is suitable for the material being worked with. Professional help and advice should be sought if the operator is at all unsure about the potential toxicity of the material to be cut.

WARNING: These machines must never be used to cut Asbestos or any material that contains, or is suspected to contain, Asbestos.

Consult/inform the relevant authorities, and seek additional guidance if Asbestos contamination is suspected.

(16) **ON/OFF TRIGGER SWITCH**

Note: All machines destined for the European and Australian market are equipped with a 'safety start' trigger switch to enhance operator safety. (Fig.15)

To start the motor:

- Push in the safety lock button on the side of the handle with your thumb.
- Depress the trigger switch.

To stop the motor:

- Release the trigger switch.

WARNING: The motor should never be started with the saw blade in direct contact with any surface of the workpiece.

Note: Machines destined for the North American market are fitted with an ON/OFF Trigger switch which does not incorporate a 'safety start' trigger switch.

WARNING: If the saw is 'live' (LED Light 'ON'), avoid unintentionally starting the motor when picking up the machine from a workbench or similar. Accidentally depressing the ON/OFF Trigger switch (positioned in the main handle) when picking up the machine from rest will cause the motor to start.

CUTTING TRACKS

Evolution CCSX series machines (refer to the Specification Page for applicable models) have been engineered and featured in such a way as to make them Cutting Track compatible.

Note: Any circular saw that is capable of being used with a Cutting Track will have a channel along the under surface of the sole plate (**Fig. 16**) Evolution machines so equipped can be attached to, and used with most Cutting Tracks (Guides) currently available.

Note: Consult the documentation supplied with the track by the track manufacturer. The supplied documentation will normally give the assembly instructions for the track, as well as information regarding the safe working practices that need to be employed when using such equipment.

Cutting Tracks can be employed where:

- The use of a chop or circular saw could present Health and Safety (H&S) or other practical workplace issues. For example when working on a construction site where very close and accurate control may be necessary, (working on a roof or on a scaffolding platform, etc.) using a cutting track may provide the user with some extra (and safe) operational possibilities.
- Accurate cuts across or along large workpieces are required. For example on frames, doors, large boards or wall panels, etc, a cutting track/guide could eliminate the need to use a circular saw in 'free hand' mode.

Note: Evolution's cutting track compatible machines have two (2) cams which project into the sole plate channel (one at each end). 'Turn-buttons' (**Fig. 17**) allow the operator to rotate these cams.

Adjusting these cams will reduce slightly the effective width of the sole plate channel. This could be necessary to accommodate any

slight variation of rail width that can occur during the manufacture of the track extrusion. Track rail widths produced by different track manufacturers may also vary slightly.

Note: The operator should adjust these cams so that when the machine is placed correctly on a track it can be moved forwards or backwards easily and smoothly but without any lateral movement (wobble) being detectable.

EVOLUTION CUTTING TRACKS

Some Evolution machines (depending upon the model and market destination) are supplied with a Cutting Track.

Note: Evolution Cutting Tracks are available as a customer purchase option. Contact your supplier or Evolution Power Tools for further details.

THE TRACK

The Evolution Track system consists of two (2) or three (3) precision extruded alloy sections. (**Fig. 18**) These sections must be joined together using the joining bars supplied. (**Fig. 19**)

To Join The Sections Together (**Fig. 19**):

- Slide the bars into the 'T' slots found on the under surface of the extrusions.
- Ensure that an equal length (approximately) of the bars is inserted into both of the sections to be joined together.
- Tighten the socket headed grub-screws to secure the sections together.

Note: It is important to leave a small gap between joined sections of between 1 to 2mm. This will ensure that when a circular saw is placed upon and used with an Evolution Cross Cutting Track it will slide smoothly along the entire track length.

SAW TO TRACK COMMISSIONING

Note: The following guidelines refer to Evolution circular saws and the Evolution Cutting Track. Consult the information supplied by the saw and/or the cutting track

manufacturers if a non-Evolution circular saw or cutting track is to be used.

Before the first use of the Evolution Cutting Track the Splinter Guard Strip (**Fig. 21**) needs to match the saw and blade.

To match saw to track:

- Fully assemble the Cutting Track.
- Refer to the section entitled 'Track Positioning and Clamping'. Clamp the track to an appropriate piece of spare or scrap material.
- Set the saw blade to a depth suitable for the scrap workpiece selected.
- Ensure that no obstructions are present beneath the path of the blade.
- Refer to the section 'Track Positioning and Clamping'. Place the circular saw correctly on the track.
- Start the motor and allow it to reach full speed.
- Smoothly and slowly push the circular saw along the full length of the track until the blade has cut through the entire length of the Splinter Guard Strip.

Note: This process will match a specific saw to a specific track.

If a different saw is used on such a prepared track, the Splinter Guard Strip may not provide the same level of protection as the dedicated saw to track configuration.

Note: The Splinter Guard Strip should be regarded as a consumable item. Over time it will wear and abrade and will therefore need replacing. It may also need replacing if a different circular saw or saw blade (one with a different kerf width) from the original dedicated configuration is to be used.

REPLACEABLE SPLINTER GUARD STRIP

As a consumable item Replaceable Splinter Guard Strip should be checked at regular

intervals for damage or abrasion caused by 'wear and tear'. Replace the strip if any damage or significant wear is apparent.

Replacement strips are available. Consult your supplier or contact Evolution using the appropriate helpline. The Replaceable Splinter Guard Strip supplied is a direct substitution to the fitted original. Simply pull the old strip gently from the track and replace with the new strip.

Note: If a new strip is fitted, the Saw to Track matching process must be repeated.

EVOLUTION TRACK CLAMPS

The Evolution Speed Clamp (**Fig. 22**) is purpose designed to work with the Evolution Cutting Track.

Note: Extra clamps can be purchased from Evolution Power Tools or your local supplier.

Evolution clamps fit into and can slide along the 'T' slots found on the under surface of the alloy extrusions. (**Fig. 23**)

This enables the operator to locate the clamps (one is required at each end of the track) in positions which afford the maximum security, and rigidity of the Cutting Track to the workpiece.

TRACK POSITIONING & CLAMPING

Note: The following guidelines are given as advice. Evolution has no influence over the working environments or conditions in which this equipment is used.

WARNING: If this equipment is to be used on a construction site, the operator should consult the relevant person who has responsibility for Health and Safety for further 'on site' specific safety requirements or instructions.

- Mark out clearly the workpiece and particularly the 'line of cut' along which the saw blade is required to travel.
- Assemble the Cutting Track with as many

sections as required to span the workpiece including an allowance for the overhang needed.

- Using Evolution Speed Clamps (the preferred option) or suitable 'G' clamps position the Track on the workpiece and secure by tightening the clamps.
- Ensure that the edge of the Splinter Guard Strip runs exactly along the marked out cutting line.

WARNING: The Cutting Track must overhang the workpiece at the 'lead in' edge. (Fig. 24) The lower blade guard will need to be retracted manually and pivot upwards into the upper blade guard as the circular saw is placed on the track.

WARNING: In this position the blade is exposed. **DO NOT** press the trigger until the following safety checks have been carried out.

PERFORMING A CUT

Performing a cut using a cutting track is very similar to ordinary cutting with a circular saw. All of the safety procedures and protocols that apply to the use of a circular saw will also apply when such a saw is used in conjunction with a cross cutting track.

The following guidelines, though not comprehensive offer some general advice:

- Carry out a safety check to ensure that the Cutting Track is securely fastened to the workpiece, and that the workpiece itself is secure and cannot move during a cut.
- Check to ensure that there are no obstructions under the workpiece that could inhibit or impede the progress of the saw blade or be damaged by the saw blade.
- Ensure that the mains cable is routed in such a way that it does not pose a trip (or any other form) hazard. Check particularly that the mains cable cannot come into contact with the spinning blade of the saw.
- The operator should ensure that when they are pushing the saw along the track they can

maintain a sure footing, good balance and complete control at all times throughout the cut. Particular caution should be exercised as the saw blade exits the workpiece.

WARNING: Particularly if working at height (other circumstances may also apply) ensure that any cut material cannot fall away and possibly injure a bystander. The operator may have to consider some way of containing or catching such cut material. Consult the person responsible for site safety for specific guidance.

Note: The operator should consider performing a practice run with the saw disconnected from the mains supply to confirm that the cutting procedure will be completely safe throughout.

When the cut has been completed the operator should release the ON/OFF Trigger Switch and allow the motor to stop and the blade to become stationary.

As the saw is lifted from the Cutting Track and workpiece the lower blade guard will automatically deploy covering the blade completely.

DUST / DEBRIS COLLECTION

An adaptor nozzle (Fig. 25) can be fitted to all CCS machines. Fitting the nozzle allows the machine to be connected to a dust/debris collection device.

Note: The exact design of the nozzle supplied will vary depending upon type of model and the market destination of the machine. The supplied nozzle will accept a wide variety of debris/dust collection devices currently available. The nozzle should be fitted to the Cut Material Ejection Port. (Fig. 26)

Note: A workshop dust/debris extraction machine can be attached to the adaptor nozzle if required. Follow the manufacturers instructions if such a machine is fitted and ensure that it is capable of handling the ejected cut material.

LED LIGHT

Some of these machines (depending upon the model and market destination) are equipped with an automatic LED Light.

Note: If you are unsure of which features are provided on your machine, consult the Specification Page provided in this manual.

The LED Light is positioned to the left hand (LH) side of the blade. **(Fig. 27)**

The beam from the LED will light up the left hand side of the blade and also illuminate any marking out lines present on the workpiece.

This should help the operator predict the path of the blade through the workpiece and thus aid efficiency, accuracy and safety.

Note: Operation of the LED Light is automatic. As soon as the machine is connected to the mains supply the LED will activate. This gives the operator a clear visual indication that the machine has been successfully connected to the mains electrical supply, and is therefore powered (is 'live') and ready for cutting operations to commence.

Note: There are no user serviceable parts incorporated within the LED Light assembly and the beam direction is factory set. The protective lens cover should be kept clear of dust etc. (see Maintenance) to ensure the maximum brightness of the projected beam is maintained.

WARNING: Only clean the lens cover with the machine disconnected from the mains power supply and the blade completely stationary.

INTEGRAL CUTTING AIDS

All Evolution circular saws are equipped with various cutting aids or guides designed help the operator achieve quick accurate cuts safely.

Note: Not all of the following features will appear on every machine.

0° and 45° Line of Cut Guides (Fig. 28)

Located on the front edge of the machines sole plate are two (2) small notches, which on some

machines are identified with an angular number. These notches indicate the position of the blade as it exits the workpiece when the bevel tilt angle is set at 0° (blade vertical) or at an angle of 45°.

Front of Blade Guide (Fig. 29)

Note: Evolution machines compatible with Evolutions Cutting Track have a notch located on the right hand edge (RH) of the sole plate casting. This notch indicates the position of the front edge of the blade when the blade is set at maximum cutting depth. This feature can be used when placing and positioning the saw on a Cutting Track.

WARNING: It is important that the lower blade guard or blade do not touch any surface of the workpiece during the initial positioning of the saw on the Cutting Track.

Ruler Guides (Fig. 30)

Ruler guides are present on some Evolution circular saws. They are positioned along the front and/or side edges of the sole plate. These guides can give a useful approximate position or prediction of the saw blade in the workpiece.

SPECIALISED ADJUSTMENTS

Your Evolution machine has many precision engineered components and settings, most of which are factory set and adjusted to ensure consistent long term accuracy.

Maintenance and adjustment to these components or settings will probably never be needed. If maintenance or adjustment (after considerable usage) is thought to be necessary Evolution recommend that you contact the technical helpline for further advice and guidance.

Note: Certain adjustments procedures are only possible with access to certain specialised knowledge and/or equipment.

(17) GENERAL CUTTING ADVICE

WARNING: The operator must always be aware of the position and routing of the power cable. The cable must be routed in such a way that there is no possibility of the blade coming into contact with the mains cable.

The cable should not pose a trip (or any other type) of hazard to the operator or any bystanders.

- Do not force the machine.
- Allow the speed of the saw blade do the work. Cutting performance will not be improved by applying excessive pressure to the machine and blade life will be reduced.
- When using the parallel edge guide, ensure that it is parallel with the blade. The blade and/or motor could become damaged if the machine is used with an incorrectly adjusted parallel edge guide.
- Place front edge of sole plate squarely on the workpiece. Before starting the motor ensure that the blade is not in contact with the workpiece.
- When starting a cut, taking care to introduce the blade to the material slowly, so as not to damage blade teeth.

Note: Two (2) line of cut guides are provided at the front of the sole plate of the CCSL machine (for 0° and 45° bevel angles only).

- Use both hands to move the saw forwards through the work piece.
- Apply smooth, constant pressure to move the saw forwards through the workpiece.

Note: All CCS series machines have an automatic lower blade guard which has a specially shaped leading front edge. This feature ensures that the blade guard retracts smoothly and effortlessly as the machines blade enters the workpiece. As the blade exits the workpiece the lower blade guard will automatically return to its normal position covering the blade completely.

Note: On some occasions e.g. making a plunge cut into a floor or wall etc. it may be advantageous to retract the lower blade guard manually.

A thumb operated lever is provided on

the lower blade guard. With care, a skilled operator can retract the blade guard manually, either partially or fully, allowing plunge cuts to be made.

WARNING: If retracting the blade guard manually great care must be taken to ensure that the operators hand or fingers do not touch any part of the machines blade.

When a cut has been completed:

- Release the ON/OFF Trigger switch.
- Allow the blade to come to a complete stop.
- Remove the machine from the workpiece allowing the lower blade guard to return to its normal position covering the blade.

WARNING: If the motor should stop or stall whilst a cut is being attempted release the trigger switch immediately. Disconnect the machine from the power supply and remove the machine from the workpiece. Investigate the cause of the problem and rectify if possible. Only attempt to restart the motor when you are absolutely sure that it is safe to do so.

CUT MATERIAL EJECTION PORT

WARNING: Do not use the dust bag and dust port adaptor when cutting metallic materials including wood with nails.

(18) MAINTENANCE & ADJUSTMENTS

The 0° (blade vertical) position can be adjusted.

WARNING: The machine must be disconnected from the mains power supply when attempting this procedure.

To check 0° position:

- Set the blade to the 0° position with the tilting mechanism against its stop.
- Check the blade against the sole plate using an engineers precision square (not supplied). Take care to avoid the TCT tips of the teeth. The blade should be at exactly 90° to sole plate.

Note: The lower blade guard should be rotated (manually) up into the upper blade guard. This

will help accurate positioning of the engineers square and thus aid the checking process.

If adjustment is required:

R165CCSL & 185CCS

Turn the adjustment screw (Fig. 31) clockwise or counter clockwise using a 4mm Hex Key (not supplied) until the blade is at exactly 90° to the sole plate.

R185CCSX & 185CCSX+

Turn the adjustment screws (Fig. 32) clockwise or counter clockwise using a 3mm Hex Key (not supplied) until the blade is at exactly 90° to the sole plate.

To check 45° position (R185CCSX & 185CCSX+):

- Set the blade to the 45° position with the tilting mechanism against its stop.
- Check the blade against the sole plate using an engineers precision square (not supplied). Take care to avoid the TCT tips of the teeth. The blade should be at exactly 45° to sole plate.

Turn the adjustment screws (Fig. 33) clockwise or counter clockwise using a 3mm Hex Key (not supplied) until the blade is at exactly 45° to the sole plate.

(19) CHECKING AND REPLACING THE CARBON BRUSHES

WARNING: Disconnect the machine from the power supply before attempting to check or replace the Carbon Brushes.

Note: Replace both carbon brushes if either has less than 6mm length of carbon remaining, or if the spring or wire is damaged or burned.

To remove the brushes:

- Unscrew the plastic caps found at the back of the motor housing. (Fig. 34) Be careful as the caps are spring-loaded.
- Withdraw the brushes with their springs.
- If replacement is necessary renew the brushes and replace the caps.

Note: Used but serviceable brushes can be replaced, but only as long as they are returned to the same position, and

inserted the same way round as they were before being removed from the machine.

- Run machines motor without load for approximately 5 minutes. This will help the new brushes to 'bed-in' and ensure that the motor runs efficiently.
- Some sparking may be visible until the brushes bed in fully.

(20) GENERAL MAINTENANCE & CLEANING

Note: All maintenance must be carried out with the machine switched off and disconnected from the power supply.

- Check that all safety features and guards are operating correctly on a regular basis. Only use this machine if all guards/safety features are fully operational.
- All motor bearings in these machines are lubricated for life. No further lubrication is required.

Use a clean, slightly damp cloth to clean the plastic parts of the machine. Do not use solvents or similar products which could damage the plastic parts.

Remove any dust or other contaminants from the lens cover of the LED module.

WARNING: Do not attempt to clean by inserting pointed objects through openings in the machines casings etc. The machines air vents should be cleaned using compressed dry air.

Note: The operator should employ all necessary PPE when using compressed dry air as a cleaning medium.

(21) ENVIRONMENTAL PROTECTION

Waste electrical products should not be disposed of with household waste. Please recycle where facilities exist. Check with your Local Authority or retailer for recycling advice.



EC DECLARATION OF CONFORMITY



The manufacturer of the product covered by this Declaration is:

UK: Evolution Power Tools Ltd, Venture One, Longacre Close, Holbrook Industrial Estate, Sheffield, S20 3FR.

FR: Evolution Power Tools SAS, 61 Avenue Lafontaine, 33560, Carbon-Blanc, Bordeaux, France.

The manufacturer hereby declares that the machine as detailed in this declaration fulfils all the relevant provisions of the Machinery Directive and other appropriate directives as detailed below. The manufacture further declares that the machine as detailed in this declaration, where applicable, fulfils the relevant provisions of the Essential Health and Safety requirements.

The Directives covered by this Declaration are as detailed below:

2006/42/EC.	Machinery Directive.
2014/30/EU.	Electromagnetic Compatibility Directive.
2011/65/EU. & 2015/863/EU.	The Restriction of the Use of certain Hazardous Substances in Electrical Equipment (RoHS) Directive.
2012/19/EU.	The Waste Electrical and Electronic Equipment (WEEE) Directive.

And is in conformity with the applicable requirements of the following documents:


EN 62841-1: 2015 • EN 62841-2-5: 2014 • EN 55014-1: 2017 • EN 55014-2: 2015 EN 61000-3-2: 2014 • EN 61000-3-3: 2013 (110V models) • EN 61000-3-11: 2000 (220-240V models) • IEC 62321-1.0: 2008
--

Product Details

Description:	R165CCSL 165mm (6-1/2") Circular Saw
Model No:	026-0001 / 026-0002 / 026-0003
Description:	R185CCS 185mm (7-1/4") Circular Saw
Model No:	027-0001C / 027-0002C / 027-0003C
Description:	R185CCSX 185mm (7-1/4") Circular Saw
Model No:	027-0001 / 027-0002 / 027-0003
Description:	R185CCSX+ 185mm (7-1/4") Circular Saw
Model No:	027-0001A / 027-0002A / 027-0003A
Brand Name:	EVOLUTION POWER TOOLS LIMITED
Voltages:	110V / 220-240V ~ 50Hz
Input:	R165CCSL - 1200W R185CCS, R185CCSX & R185CCSX+ - 1600W

The technical documentation required to demonstrate that the product meets the requirements of directive has been compiled and is available for inspection by the relevant enforcement authorities, and verifies that our technical file contains the documents listed above and that they are the correct standards for the product as detailed above.

Name and address of technical documentation holder.

Signed:  Print: Barry Bloomer
Supply Chain & Procurement Director
Date: 01/06/18

UK: Evolution Power Tools Ltd, Venture One, Longacre Close, Holbrook Industrial Estate, Sheffield, S20 3FR.
FR: Evolution Power Tools SAS, 61 Avenue Lafontaine, 33560, Carbon-Blanc, Bordeaux, France.

Notes

SOMMAIRE

INTRODUCTION		Réglages spécialisés	Page 63
Garantie	Page 35	Conseils de coupe généraux	Page 63
Caractéristiques	Page 36	Port d'éjection du matériau découpé	Page 64
Éléments fournis	Page 36		
Vibration	Page 38	ENTRETIEN ET RÉGLAGES	Page 64
Étiquettes et symboles	Page 38	Vérification et remplacement des balais en carbone	Page 65
Usage prévu de cet outil électrique	Page 39	Entretien général et nettoyage	Page 65
Usage proscrit de cet outil électrique	Page 39	Protection de l'environnement	Page 65
MESURES DE SÉCURITÉ		DÉCLARATION DE CONFORMITÉ	Page 66
Sécurité électrique	Page 39		
Utilisation en plein air	Page 39		
Consignes générales de sécurité pour les outils électriques	Page 40		
Conseils de santé	Page 42		
Consignes de sécurité pour toutes les scies	Page 42		
Consignes de sécurité supplémentaires pour les scies circulaires	Page 43		
PRISE EN MAIN			
Déballage	Page 44		
Présentation de la machine	Page 45		
Préparation	Page 56		
Installation/retrait d'une lame	Page 56		
Guide parallèle	Page 57		
Réglage de la profondeur de coupe	Page 57		
Réglage de l'angle de coupe	Page 57		
Conseils d'utilisation (vérifications avant utilisation)	Page 58		
EPI	Page 58		
L'interrupteur à gâchette Marche/arrêt	Page 58		
Guides de découpe	Page 59		
CONSEILS SUPPLÉMENTAIRES			
Port de récupération des débris	Page 62		
Voyant à LED	Page 62		

**(1.2) INTRODUCTION
IMPORTANT**

Veuillez lire attentivement ces consignes de fonctionnement et de sécurité dans leur intégralité.

Pour votre propre sécurité, si vous avez des doutes concernant un aspect de l'utilisation de cet appareil, veuillez contacter l'assistance technique appropriée dont le numéro se trouve sur le site Internet d'Evolution Power Tools. Nous assurons différentes lignes d'assistance téléphoniques au sein de notre organisation à l'échelle mondiale, mais de l'aide technique est également disponible auprès de votre fournisseur.

(1.3) CONTACT :

Site internet : www.evolutionpowertools.com

RU/UE/AUS : customer.services@evolutionpowertools.com

USA : evolutioninfo@evolutionpowertools.com

(1.4) GARANTIE

Félicitations pour votre achat d'un appareil d'Evolution Power Tools. Veuillez réaliser l'enregistrement de votre produit « en ligne » comme expliqué dans le dépliant d'enregistrement fourni avec cette machine. Cela vous permettra de valider la période de garantie de la machine via le site Internet d'Evolution en saisissant vos coordonnées, et garantir ainsi un service rapide si nécessaire.

Nous vous remercions sincèrement d'avoir choisi un produit Evolution Power Tools.

EN

ES

DE

FR

IT

PL

PT

RO

PARTICULARITÉS

		ÉTATS-UNIS			
SPÉCIFICATIONS DE LA MACHINE	R165CCSL	R185CCS	R185CCSX	R185CCSX+	
N° du modèle :	026-0004	027-0004	027-0004C	027-0004A	
Moteur UE (220-240 V ~ 50 Hz)					
Moteur RU (110 V ~ 50 Hz)					
Moteur USA (120 V ~ 60 Hz)	10A	15 A	15A	15 A	
Vitesse à vide (220-240 V)					
Vitesse à vide (110V et 120 V)	3900 min ⁻¹ / rpm	3 700 min ⁻¹ / tpm	3700 min ⁻¹ / tpm	3 700 min ⁻¹ / tpm	
Poids	9,5 lb	10,8 lb	11,2 lb	11,2 lb	
Angle du biseau de la lame max.	45°	60°	45°	45°	
Longueur du cordon d'alimentation	10 ft	13 ft	13 ft	13 ft	
Type de base de la scie circulaire	Acier pressé	Aluminium coulé	Aluminium coulé	Aluminium coulé	
Compatible avec les guides de découpe			✓	✓	

CAPACITÉS DE COUPE	R165CCSL	R185CCS	R185CCSX	R185CCSX+
Plaque en acier doux (épaisseur max.)	1/8"	1/4"	1/4"	1/4"
Structure carrée en acier doux (épaisseur max. du mur)	1/8"	1/4"	1/4"	1/4"
Épaisseur de coupe max. (0°)	2-3/32"	2-1/2"	2-1/2" (2-5/16" avec guide)	2-1/2" (2-5/16" avec guide)
Épaisseur de coupe max. (45°)	1-11/32"	1-9/16"	1-13/16" (1-5/8" avec guide)	1-13/16" (1-5/8" avec guide)
Épaisseur de coupe max. (60°)		1"		

CARACTÉRISTIQUES DE LA LAME	R165CCSL	R185CCS	R185CCSX	R185CCSX+
Diamètre de la lame	Ø 6-1/2"	Ø 7-1/4"	Ø 7-1/4"	Ø 7-1/4"
Nombre de dents	14	20	16	20
Diamètre d'alésage	25/32"	25/32"	25/32"	25/32"
Trait de coupe	1,7mm	1,7 mm	1,7mm	1,7 mm

NIVEAUX SONORES ET VIBRATOIRES	R165CCSL	R185CCS	R185CCSX	R185CCSX+
Niveau de pression acoustique L _{pa}	92,4dB(A) K=3dB(A)	94,3dB(A) K=3 dB(A)	94,3dB(A) K=3 dB(A)	94,3dB(A) K=3 dB(A)
Niveau d'intensité acoustique L _{wa}	103,4dB(A) K:3dB(A)	105,3dB(A) K=3 dB(A)	105,3dB(A) K=3 dB(A)	105,3dB(A) K=3 dB(A)
Vibration - poignée principale (sciage du bois)	a _{hw} = 2,747m/s ²	a _{hw} = 3,347m/s ²	a _{hw} = 3,347m/s ²	a _{hw} = 3,347m/s ²
Vibration - poignée auxiliaire (sciage du bois)	a _{hw} = 2,619m/s ²	a _{hw} = 3,119m/s ²	a _{hw} = 3,119m/s ²	a _{hw} = 3,119m/s ²
Vibration - poignée principale (sciage du métal)	a _{hm} = 2,302m/s ²	a _{hm} = 3,572m/s ²	a _{hm} = 3,572m/s ²	a _{hm} = 3,572m/s ²
Vibration - poignée auxiliaire (sciage du métal)	a _{hm} = 2,239m/s ²	a _{hm} = 3,241m/s ²	a _{hm} = 3,241m/s ²	a _{hm} = 3,241m/s ²
Uncertainty K	1,5m/s ²	1,5m/s ²	1,5m/s ²	1,5m/s ²

ARTICLES FOURNIS	R165CCSL	R185CCS	R185CCSX	R185CCSX+
Lame TCT multi-matériaux	✓	✓	✓	✓
Clé hexagonale (changement de lame)	✓	✓	✓	✓
Guide parallèle	✓	✓	✓	✓
Adaptateur du port à poussières	✓	✓	✓	✓
Raccord du tuyau à poussières	✓	✓	✓	✓
Boîte de transport				✓
Guide de coupe (340 mm x3)			✓	
Barre et vis du raccord (x4)			✓	
Voyant LED		✓		✓

EN

ES

DE

FR

IT

PL

PT

RO

RU / UE / AUS			
R165CCSL	R185CCS	R185CCSX	R185CCSX+
026-0001 / 026-0002 / 026-0003	027-0001C / 027-0002C / 027-0003C	027-0001 / 027-0002 / 027-0003	027-0001A / 027-0002A / 027-0003A
1 200 W	1 600 W	1 600 W	1 600 W
1 200 W	1 600 W	1 600 W	1 600 W
3 700 min ⁻¹ / tpm	3 900 min ⁻¹ / tpm	3 900 min ⁻¹ / tpm	3 900 min ⁻¹ / tpm
3 700 min ⁻¹ / tpm	3 700 min ⁻¹ / tpm	3 700 min ⁻¹ / tpm	3 700 min ⁻¹ / tpm
4,3 kg	4,9 kg	5,1 kg	5,1 kg
45°	60°	45°	45°
3 m	3 m	3 m	4 m
Acier pressé	Aluminium coulé	Aluminium coulé	Aluminium coulé
		✓	✓

R165CCSL	R185CCS	R185CCSX	R185CCSX+
3 mm	6 mm	3 mm	6 mm
3 mm	6 mm	3 mm	6 mm
53 mm	64 mm	64 mm (59 mm avec guide)	64 mm (59 mm avec guide)
34 mm	40 mm	47 mm (42 mm avec guide)	47 mm (42 mm avec guide)
	24 mm		

R165CCSL	R185CCS	R185CCSX	R185CCSX+
Ø 165 mm	Ø 185 mm	Ø 185 mm	Ø 185 mm
14	20	16	20
20 mm	20 mm	20 mm	20 mm
1,7 mm	1,7 mm	1,7 mm	1,7 mm

R165CCSL	R185CCS	R185CCSX	R185CCSX+
92,4dB(A) K:3dB(A)	94,3dB(A) K=3 dB(A)	94,3dB(A) K=3 dB(A)	94,3dB(A) K=3 dB(A)
103,4dB(A) K:3dB(A)	105,3dB(A) K=3 dB(A)	105,3dB(A) K=3 dB(A)	105,3dB(A) K=3 dB(A)
$a_{h,w} = 2,747m/s^2$	$a_{h,w} = 3,347m/s^2$	$a_{h,w} = 3,347m/s^2$	$a_{h,w} = 3,347m/s^2$
$a_{h,w} = 2,619m/s^2$	$a_{h,w} = 3,119m/s^2$	$a_{h,w} = 3,119m/s^2$	$a_{h,w} = 3,119m/s^2$
$a_{h,M} = 2,302m/s^2$	$a_{h,M} = 3,572m/s^2$	$a_{h,M} = 3,572m/s^2$	$a_{h,M} = 3,572m/s^2$
$a_{h,M} = 2,239m/s^2$	$a_{h,M} = 3,241m/s^2$	$a_{h,M} = 3,241m/s^2$	$a_{h,M} = 3,241m/s^2$
1,5m/s ²	1,5m/s ²	1,5m/s ²	1,5m/s ²

R165CCSL	R185CCS	R185CCSX	R185CCSX+
✓	✓	✓	✓
✓	✓	✓	✓
✓	✓	✓	✓
✓	✓	✓	✓
✓	✓	✓	✓
		✓	✓
		✓	
			✓

VIBRATION

(1.5) **Remarque :** La mesure des vibrations a été effectuée dans des conditions standard conformément à : EN 62841-1 : 2015, EN 62841-2-5 : 2014

Avertissement : Portez des protections auditives !

La valeur de vibrations totale déclarée a été mesurée conformément à une méthode d'essai standard et peut être utilisée pour comparer un outil avec un autre.

La valeur totale des vibrations déclarée peut également être utilisée lors d'une évaluation préliminaire d'exposition.

(1.6) **AVERTISSEMENT :** Lors de l'utilisation de cette machine, l'opérateur peut être exposé à de hauts niveaux de vibrations transmises à sa main et à son bras.

Il se peut que l'opérateur développe le syndrome de Raynaud. Ce syndrome peut diminuer la sensibilité de la main à la température et provoquer un engourdissement général. Les personnes utilisant cette machine de manière régulière ou prolongée doivent surveiller attentivement l'état de leurs mains et de leurs doigts. Si l'un des symptômes devient apparent, consultez immédiatement un médecin.

La mesure et l'évaluation de l'exposition de l'être humain aux vibrations transmises par les mains en milieu professionnel sont précisées dans les normes suivantes : EN 62841-1 et EN 62841-2-5

- Plusieurs facteurs peuvent influencer le niveau de vibration effectif lors de l'utilisation, comme l'état et l'orientation des surfaces de travail et le type et l'état de la machine utilisée. Avant chaque utilisation, vous devez évaluer de tels facteurs et si possible, adopter des pratiques professionnelles appropriées. La gestion de ces facteurs peut aider à réduire les effets des vibrations :

Manipulation

- Manipulez la machine avec soin en lui laissant faire le travail.
- Évitez les efforts physiques excessifs sur toutes les commandes de la machine.
- Prenez en considération votre sécurité et

votre stabilité ainsi que l'orientation de la machine durant son utilisation.

Surface de travail

- Prenez en compte la matière de la surface de travail, son état, sa densité, sa résistance, sa rigidité et son orientation.

AVERTISSEMENT : L'émission de vibrations durant l'utilisation effective de l'outil électrique peut différer de la valeur totale déclarée en fonction de la manière dont l'outil est utilisé.

Il est nécessaire d'identifier les mesures de sécurité à adopter et de protéger l'opérateur en fonction d'une estimation de l'exposition dans les conditions effectives d'utilisation (en tenant compte de toutes les étapes du cycle d'opération, par exemple lorsque l'outil est mis à l'arrêt, lorsqu'il tourne au ralenti, en plus du déclenchement).

(1.7) ÉTIQUETTES ET SYMBOLES

AVERTISSEMENT : N'utilisez pas cette machine si les étiquettes d'avertissement et/ou d'instructions sont manquantes ou endommagées. Contactez Evolution Power Tools pour le remplacement des étiquettes.

Remarque : Tous les symboles suivants ou certains d'entre eux peuvent apparaître dans le manuel ou sur le produit.

(1.8)

Symbole	Description
V	Volts
A	Ampères
Hz	Hertz
Min ⁻¹ / TPM	Vitesse
~	Courant alternatif
n ₀	Vitesse à vide
	Portez des lunettes de sécurité
	Portez des protections auditives
	Portez des protections contre la poussière
	Lire les instructions
	Double isolation
	Certification CE
	Certification ETL
	Déchets d'équipements électriques et électroniques
	Tri-man - Collecte et recyclage des déchets
	Avertissement
	(RCM) Regulatory Compliance Mark (marque de conformité légale) pour les équipements électriques et électroniques. Norme australienne/ néo-zélandaise

(1.9) USAGE PRÉVU POUR CET OUTIL ÉLECTRIQUE

AVERTISSEMENT : Ce produit est une scie circulaire à commande manuelle conçue pour fonctionner avec des lames Evolution spécifiques. Utilisez uniquement des accessoires conçus pour l'utilisation avec cette machine et/ ou ceux spécifiquement recommandés par Evolution Power Tools Ltd.

Lorsqu'elle est équipée d'une lame appropriée, cette machine peut être utilisée pour découper : **de l'acier doux, de l'aluminium, du bois**

Remarque : Couper de l'acier galvanisé peut réduire la durée de vie de la lame.

(1.10) USAGES PROSCRITS POUR CET OUTIL ÉLECTRIQUE

AVERTISSEMENT : Ce produit est une scie circulaire à commande manuelle et doit être utilisé uniquement en tant que tel. Il ne doit en aucun cas être modifié ou utilisé pour alimenter tout autre appareil ou entraîner tout accessoire autre que ceux mentionnés dans le présent manuel d'instructions.

(1.11) **AVERTISSEMENT :** Cette machine n'est pas conçue pour être utilisée par des personnes (y compris les enfants) dont les capacités physiques, sensorielles ou mentales sont réduites, ou dénuées d'expérience ou de connaissances, sauf si elles ont pu bénéficier, par l'intermédiaire d'une personne responsable de leur sécurité et capable d'utiliser la machine en sécurité, d'une surveillance ou d'instructions préalables concernant l'utilisation de la machine.

Les enfants doivent être surveillés pour garantir qu'ils n'aient pas accès à cette machine et qu'ils ne soient pas autorisés à jouer avec.

(1.12) SÉCURITÉ ÉLECTRIQUE

Cette machine est équipée de la fiche moulée et du câble électrique adéquats pour le marché désigné. Si le cordon d'alimentation est endommagé, il doit être remplacé par un cordon spécifique disponible auprès du fabricant ou de son agent de maintenance.

(1.13) UTILISATION EN EXTÉRIEUR

AVERTISSEMENT : Si vous utilisez cet outil

en extérieur, ne l'exposez pas à la pluie et ne l'utilisez pas dans des lieux humides pour assurer votre protection. Ne placez pas l'outil sur des surfaces humides. Utilisez un établi sec et propre, si possible. Pour une protection supplémentaire, utilisez un dispositif de courant différentiel résiduel (DCR) qui interrompra l'alimentation si le courant de fuite vers la terre excède 30 mA pour 30 ms. Vérifiez toujours le bon fonctionnement du dispositif différentiel résiduel (DCR) avant d'utiliser la machine.

Si vous devez utiliser une rallonge, celle-ci doit convenir à l'utilisation en extérieur et cette mention doit figurer sur l'étiquette. Les instructions du fabricant doivent être respectées lors de l'utilisation d'une rallonge.

(2.1) **CONSIGNES GÉNÉRALES DE SÉCURITÉ**

(Ces consignes générales de sécurité pour les outils électriques sont telles que spécifiées dans EN 62841-1: 2015).

AVERTISSEMENT : Lisez tous les avertissements de sécurité et les instructions. Le non-respect des avertissements et des instructions peut causer des électrocutions, des incendies et/ou des blessures graves.

Conservez tous les avertissements de sécurité et toutes les instructions pour future référence. Le terme « outil électrique » dans les avertissements fait référence aux outils électriques fonctionnant sur secteur (avec fil) ou sur batterie (sans fil).

(2.2) **1) Avertissements généraux de sécurité des outils électriques [sécurité de l'aire de travail]**

a) L'espace de travail doit être propre et suffisamment éclairé.

Les espaces sombres et encombrés sont propices aux accidents.

b) Ne mettez pas en marche votre outil électrique dans un environnement explosif, ou en présence de liquide inflammable, de gaz ou de poussière. Les outils électriques produisent des étincelles qui peuvent faire enflammer la poussière ou les vapeurs.

c) Tenez les enfants et les autres personnes présentes éloignés lorsque vous utilisez un outil électrique. Les distractions peuvent causer une perte de contrôle.

(2.3) **2) Avertissements généraux de sécurité des outils électriques [sécurité électrique]**

a) Les fiches des outils électriques doivent correspondre à la prise secteur utilisée. Ne modifiez jamais la fiche, de quelque façon que ce soit. N'utilisez jamais d'adaptateurs de fiche avec des outils reliés à la terre. Les fiches et prises non modifiées réduisent le risque d'électrocution.

b) Évitez tout contact du corps avec des surfaces reliées à la terre, telles que tuyaux, radiateurs, cuisinières et réfrigérateurs. Le risque d'électrocution est accru si votre corps est relié à la terre.

c) N'exposez pas les outils électriques ni à la pluie ni à l'humidité. La pénétration d'eau dans ces outils accroît le risque d'électrocution.

d) Ne maltraitez pas le cordon d'alimentation. N'utilisez jamais le cordon d'alimentation pour transporter l'outil et ne débranchez jamais l'appareil en tirant sur le cordon. Gardez le cordon à l'écart de la chaleur, de l'huile, d'objets tranchants et des pièces en mouvement. Un cordon endommagé ou emmêlé accroît le risque de choc électrique.

e) Pour les travaux à l'extérieur, utilisez un cordon spécialement conçu à cet effet.

L'utilisation d'un cordon conçu pour l'usage extérieur réduit le risque d'électrocution.

f) Si le fonctionnement de l'outil électrique dans des endroits humides est inévitable, utilisez une prise protégée par un dispositif de courant différentiel résiduel (DCR).

L'utilisation d'un dispositif différentiel résiduel réduit le risque de choc électrique.

(2.4) **3) Avertissements généraux de sécurité des outils électriques [sécurité personnelle].**

a) Restez attentif, prêtez attention au travail que vous êtes en train d'effectuer et faites preuve de bon sens lors de l'utilisation de tout outil électrique. N'utilisez pas d'outil électrique en état de fatigue ou sous l'influence de l'alcool, de drogues ou de médicaments. Un moment d'inattention pendant l'utilisation d'un outil électrique peut entraîner des blessures graves.

b) Utilisez un équipement de protection individuel. Portez toujours une protection oculaire. Des équipements de protection tels que les masques anti-poussière, les chaussures de sécurité anti-dérapantes, les casques ou les protections acoustiques utilisés dans les conditions appropriées réduiront le risque de blessures.

c) Prévenez les démarrages imprévisibles. Assurez-vous que l'interrupteur est en position d'arrêt avant de brancher l'outil à une prise secteur et/ou un bloc-piles, de ramasser ou de transporter l'outil. Le fait de porter un outil électrique avec le doigt sur son interrupteur ou de brancher un outil dont l'interrupteur est en position de marche peut causer un accident.

d) Retirez les clés de réglage ou les clés à écrous du boulon de lame avant de mettre l'outil en marche. Un outil ou une clé laissé sur une pièce rotative d'un outil électrique pourrait causer de graves dommages corporels.

e) Ne travaillez pas hors de portée. Gardez un bon appui et un bon équilibre à tout moment. Ceci permettra de mieux contrôler l'outil en cas de situation imprévue.

f) Portez une tenue appropriée. Ne portez ni vêtements amples, ni bijoux. Gardez les cheveux, les vêtements et les gants à l'écart des pièces en mouvement. Les vêtements amples, les bijoux et les cheveux longs peuvent se prendre dans les pièces en mouvement.

g) Si les outils sont équipés de dispositifs de dépeussierage, assurez-vous qu'ils sont connectés et correctement utilisés. L'usage de ces dispositifs de collecte des poussières peut réduire les dangers présentés par la poussière.

h) Ne soyez pas trop sûr de vous et n'ignorez pas les précautions de sécurité d'un outil à cause de la familiarité acquise avec son utilisation fréquente. Toute action imprudente risque d'entraîner de graves blessures en une fraction de seconde.

(2.5) 4) Avertissements généraux de sécurité des outils électriques [utilisation et entretien des outils électriques].

a) Ne forcez pas sur l'outil électrique. Utilisez l'outil approprié pour le travail. Un outil approprié exécutera le travail mieux et de façon moins dangereuse s'il est utilisé dans les limites prévues.

b) N'utilisez pas l'outil électrique si l'interrupteur ne permet pas de le mettre en

marche ou de l'arrêter. Un outil électrique qui ne peut pas être contrôlé par son interrupteur est dangereux et doit être réparé.

c) Débranchez l'outil de sa source électrique avant d'effectuer des réglages, de changer les accessoires ou de ranger l'outil. Ces mesures de sécurité préventives réduisent les risques de démarrage accidentel de l'outil.

d) Lorsque vous avez fini de vous en servir, rangez les outils électriques hors de portée des enfants et empêchez les personnes qui ne connaissent pas l'outil électrique ou les présentes instructions de l'utiliser. Les outils électriques sont dangereux lorsqu'ils sont utilisés par des personnes non initiées.

e) Entretenez les outils électriques. Vérifiez l'alignement ou l'attache des pièces mobiles, la rupture des pièces mobiles et toute autre condition susceptible de nuire au bon fonctionnement de l'outil électrique. En cas de dommages, faites réparer l'outil avant de l'utiliser de nouveau. Beaucoup d'accidents sont causés par des outils électriques mal entretenus.

f) Gardez les outils de coupe bien affûtés et propres. Des outils de coupe correctement entretenus et dont les tranchants sont bien affûtés risquent moins de se bloquer et sont plus faciles à contrôler.

g) Utilisez l'outil, les accessoires et les embouts, etc., conformément à ces instructions pour les applications pour lesquelles ils sont conçus, en tenant compte des conditions et du type de travail à exécuter. L'usage d'un outil électrique à d'autres fins que celles prévues peut entraîner des situations dangereuses.

h) Faites en sorte que les poignées et les surfaces de prises soient toujours sèches, propres et dénuées d'huile ou de graisse. Des poignées ou des surfaces de prises glissantes ne permettent pas la manipulation et le contrôle de l'outil en toute sécurité lors de situations imprévues.

(2.6) 5) Avertissements généraux de sécurité des outils électriques [réparation]

a) Les réparations doivent être confiées à un technicien qualifié, utilisant exclusivement des pièces identiques à celles d'origine. Ceci assurera le maintien de la sécurité de l'appareil.

(2.7) CONSEILS DE SANTÉ

AVERTISSEMENT : Lors de l'utilisation de cette machine, des particules de poussière peuvent être engendrées. Dans certains cas, en fonction des matériaux avec lesquels vous travaillez, cette poussière peut se révéler particulièrement néfaste. Si vous suspectez que la peinture à la surface du matériau que vous souhaitez couper contient du plomb, demandez les conseils d'un professionnel. Les peintures au plomb doivent être retirées uniquement par un professionnel. Vous ne devez pas tenter de les retirer vous-même. Une fois que la poussière s'est déposée sur les surfaces, un contact entre la main et la bouche peut donner lieu à l'ingestion de plomb. L'exposition au plomb, même en faible quantité, est susceptible de provoquer des lésions irréversibles du cerveau ou du système nerveux. Les jeunes enfants et les enfants à naître sont particulièrement vulnérables. Il est conseillé de considérer les risques associés aux matériaux avec lesquels vous travaillez et de réduire les risques d'exposition.

Certains matériaux pouvant engendrer des poussières potentiellement dangereuses pour votre santé, nous vous conseillons d'utiliser un masque agréé avec des filtres interchangeable lors de l'utilisation de cette machine.

Vous devriez toujours :

- Travailler dans un endroit bien aéré.
- Travailler en portant un équipement de protection agréé tel que des masques anti-poussière spécialement conçus pour filtrer les particules microscopiques.

(2.8) AVERTISSEMENT : lors de l'utilisation de tout outil électrique, des corps étrangers risquent d'être projetés vers vos yeux, risquant de les endommager gravement. Avant de commencer à utiliser un outil électrique, portez toujours des lunettes de protection munies d'écrans latéraux ou un masque facial intégral si nécessaire.

CONSIGNES DE SÉCURITÉ POUR TOUTES LES SCIES [Procédures de coupes]

a) DANGER : N'approchez pas vos mains de la zone de coupe ou de la lame. Gardez votre seconde main sur la poignée auxiliaire, ou sur le boîtier moteur. Si vos deux mains tiennent la scie, elles ne peuvent pas être coupées par la lame.

b) Ne placez pas vos mains sous la pièce usinée. Le carter ne peut pas vous protéger de la lame sous la pièce usinée.

c) Adaptez la profondeur de la coupe à l'épaisseur de la pièce usinée. Les dents de la lame ne doivent pas entièrement dépasser sous la pièce usinée.

d) Ne tenez jamais la pièce à usiner dans vos mains ou entre vos jambes pendant la coupe. Sécurisez la pièce à usiner avec un support stable. Il est important de soutenir la pièce correctement pour réduire les risques d'accident corporel, de grippage de la lame ou de perte de contrôle.

e) Tenez l'appareil électrique par les surfaces de prises isolées lorsqu'il est susceptible d'entrer en contact avec des câbles cachés ou son propre cordon d'alimentation.

Tout contact avec un câble « sous tension » entraînerait une « mise sous tension » des parties métalliques exposées de l'outil et l'électrocution de l'opérateur.

f) Lors d'un sciage, utilisez toujours un guide de refend ou longitudinal. Cela augmente la précision de la coupe et réduit les risques de grippage de la lame.

g) Utilisez toujours des lames aux bonnes dimensions et de forme adaptée (en losange contre circulaire) ou des alésages. Les lames qui ne sont pas adaptées au système de montage de la scie fonctionneront de manière excentrée ce qui engendrera une perte de contrôle.

h) N'utilisez jamais de rondelles de lame ou de boulons de lame endommagés ou inadaptés. Les boulons et rondelles de lame ont été spécialement conçus pour votre scie afin d'assurer des performances optimales et la sécurité lors de son utilisation.

(3.2) [Causes des effets de recul et comment les éviter]

L'effet de recul se traduit par une réaction soudaine à un coincement, un blocage ou un mauvais alignement de la lame qui soulève la scie et libère la lame de la pièce à usiner en direction de l'utilisateur ;

La lame peut se coincer ou se bloquer fermement lorsque le trait de scie se resserre. Si cela se produit, la lame cale et le moteur réagit en repoussant rapidement l'appareil vers l'opérateur ;

Si la lame se tord ou dérive de l'alignement de la coupe, les dents situées sur le tranchant arrière de la lame peuvent s'enfoncer dans la surface supérieure du bois, éjectant ainsi la lame du trait de scie vers l'opérateur.

(3.3) L'effet de recul résulte d'une mauvaise utilisation de la scie et/ou du non-respect des procédures ou conditions d'utilisation et peut être évité en prenant les précautions adéquates indiquées ci-dessous.

a) Tenez fermement la scie avec vos deux mains et positionnez vos bras de façon à résister aux forces de l'effet de recul.

Placez-vous sur l'un des côtés de la lame, mais pas dans son **alignement**. Même si l'effet de recul peut entraîner l'éjection de la lame vers l'arrière, il peut être contrôlé par l'utilisateur si les précautions adéquates sont prises.

b) Si les lames se grippent ou si l'interruption de la coupe est nécessaire, quelle qu'en soit la raison, relâchez la gâchette et maintenez la scie immobile dans le matériau jusqu'à l'arrêt complet de la lame. Pour éviter tout effet de recul, n'essayez jamais de retirer la scie de la pièce, ni de la tirer en arrière lorsque les lames sont encore en mouvement. Examinez les lames et prenez les mesures correctives nécessaires pour éviter tout grippage.

c) Lorsque vous redémarrez une scie dans une pièce à usiner, placez la lame au centre du trait de scie et vérifiez que les dents ne sont pas engagées dans le matériau. Si la lame se grippe, elle peut se soulever ou être envoyée en arrière lors du redémarrage de la scie.

d) N'utilisez pas de lames émoussées ou endommagées. Les lames mal affûtées ou mal réglées créeront un trait de scie étroit qui entraînera une friction excessive, un grippage de la lame et un effet de recul.

e) Les leviers d'ajustement et de verrouillage de biseau et la profondeur de la lame doivent être serrés et sécurisés avant de procéder à une coupe. Un changement de réglage de la lame durant la coupe peut entraîner un grippage et un effet de recul.

f) Les leviers d'ajustement et de verrouillage de la profondeur de la lame et du biseau doivent être serrés et sécurisés avant de procéder à la coupe. Un changement de réglage de la lame durant la coupe peut entraîner le grippage et un effet de recul.

g) Redoublez de prudence lorsque vous effectuez une « coupe en plongée » dans des murs existants ou autres parties non apparentes. La coupe d'objets due à une lame en saillie peut provoquer un effet de recul.

FONCTIONNEMENT DU CARTER INFÉRIEUR

a) Vérifiez que le carter inférieur se verrouille correctement avant chaque utilisation. Ne démarrez pas la scie si le carter inférieur ne bouge pas librement et ne se ferme pas instantanément. Ne maintenez et ne bloquez jamais le carter inférieur en position ouverte.

En cas de chute accidentelle, le carter inférieur peut se déformer. Relevez le carter inférieur avec la poignée de rétraction, puis assurez-vous qu'il bouge librement et qu'il ne touche pas la lame ni aucune autre pièce, quels que soient l'angle et la profondeur de coupe.

b) Vérifiez le bon fonctionnement du ressort du carter inférieur. Si le carter et le ressort ne fonctionnent pas correctement, ils doivent être soumis à une opération d'entretien avant toute utilisation. Des pièces endommagées, des dépôts gommeux ou une accumulation de débris peuvent ralentir le fonctionnement du carter inférieur.

c) Ne rétractez manuellement le carter inférieur que pour réaliser des « coupes en plongée » et des « coupes composées ». Relevez le carter inférieur en rétractant la poignée, puis relâchez-le dès que la lame entre dans le matériau. Pour tous les autres types de coupes, le carter inférieur doit fonctionner automatiquement.

k) Vérifiez toujours que le carter inférieur couvre la lame avant de poser la scie sur un banc ou au sol. Une lame non protégée et continuant de tourner peut entraîner le basculement de la scie en arrière qui coupera tout sur son passage. Tenez compte du temps d'arrêt de la lame après le relâchement de la gâchette.

CONSIGNES DE SÉCURITÉ SUPPLÉMENTAIRES POUR LES SCIES CIRCULAIRES

a) N'utilisez pas de lames en acier à coupe rapide (HSS).

b) Contrôlez la machine et la lame avant chaque utilisation. N'utilisez pas

EN

ES

DE

FR

IT

PL

PT

RO

de lames déformées, fendues, usées ou endommagées de quelque façon que ce soit.

c) N'utilisez jamais la scie sans le système de carter de protection d'origine. Ne verrouillez pas le carter mobile en position ouverte. Assurez-vous que le carter fonctionne librement sans se bloquer.

d) N'utilisez que des lames correspondant aux caractéristiques indiquées dans ce manuel. Avant d'utiliser des accessoires, assurez-vous toujours que le nombre maximal de tours par minute autorisé d'un accessoire correspond à celui de la machine.

e) N'utilisez aucune lame circulaire abrasive.

f) Utilisez uniquement des lames dont le diamètre correspond aux marquages.

(3.4) **AVERTISSEMENT :** S'il manque des pièces, n'utilisez pas la machine jusqu'à ce que les pièces manquantes soient remplacées. Le non-respect de cette règle pourrait provoquer des blessures graves.

(4.1) **PRISE EN MAIN - DÉBALLAGE**

Attention : Cet emballage contient des objets tranchants. Faites attention lors du déballage. Retirez la machine et les accessoires fournis de l'emballage. Vérifiez soigneusement que la machine est en bonne condition et que vous disposez de tous les accessoires listés dans ce manuel. Assurez-vous que tous les accessoires sont complets.

S'il manque une ou plusieurs pièces, renvoyez la machine et ses accessoires dans leur emballage d'origine au revendeur.

Ne jetez pas l'emballage. Conservez-le en bon état tout au long de la période de garantie. Jetez l'emballage d'une manière responsable pour l'environnement. Recyclez si possible.

Ne laissez pas les enfants jouer avec des sacs plastiques vides, en raison du risque de suffocation.

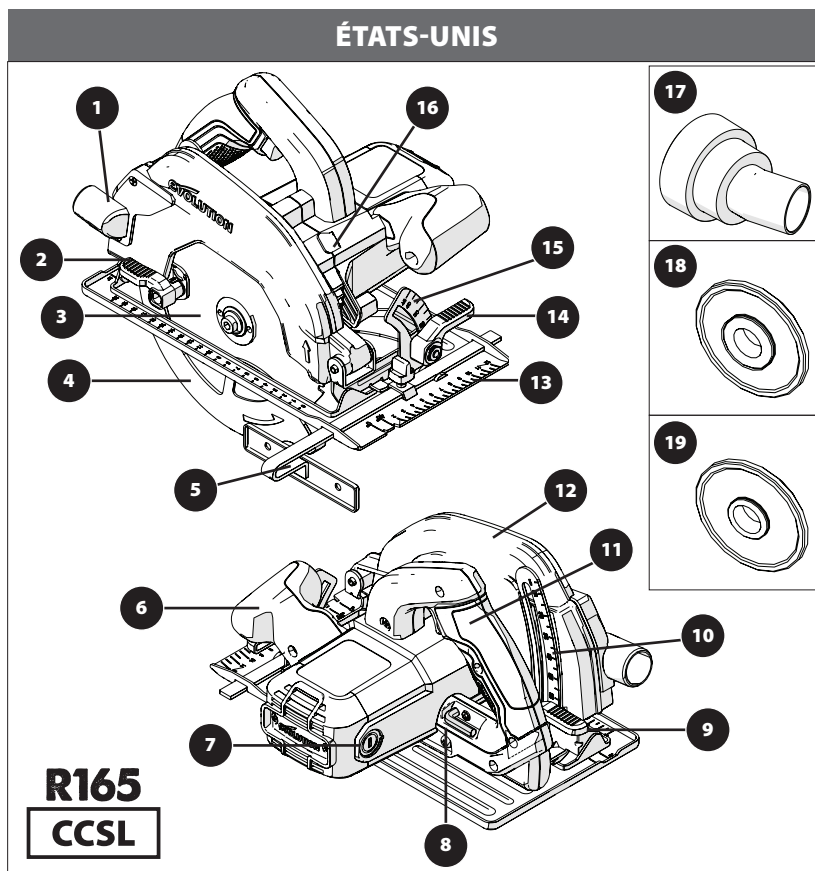
(4.3) **Manuels d'instructions Evolution**

Evolution Power Tools fournit un manuel d'instructions avec chaque produit. Chaque manuel spécifique est spécialement conçu et rédigé pour fournir des informations accessibles et utiles quant à l'utilisation en toute sécurité du produit, son entretien et les précautions à prendre. Le référencement des informations présentes dans le manuel permet à l'opérateur d'exploiter pleinement le potentiel de la machine en toute sécurité.

La politique de développement continu des produits d'Evolution peut impliquer que, très occasionnellement, le contenu d'un manuel ne reflète pas complètement les dernières mises à jour ou améliorations ayant été appliquées à un produit en particulier. Les mises à jour ou améliorations des caractéristiques d'un produit peuvent survenir à la suite d'avancées technologiques ou de changements du cadre législatif du pays de destination, etc.

Si vous n'êtes pas certains d'un quelconque aspect de l'utilisation ou de l'entretien d'un produit Evolution ou des précautions à prendre, contactez l'assistance téléphonique Evolution appropriée qui pourra vous fournir des informations à jour et davantage de conseils.

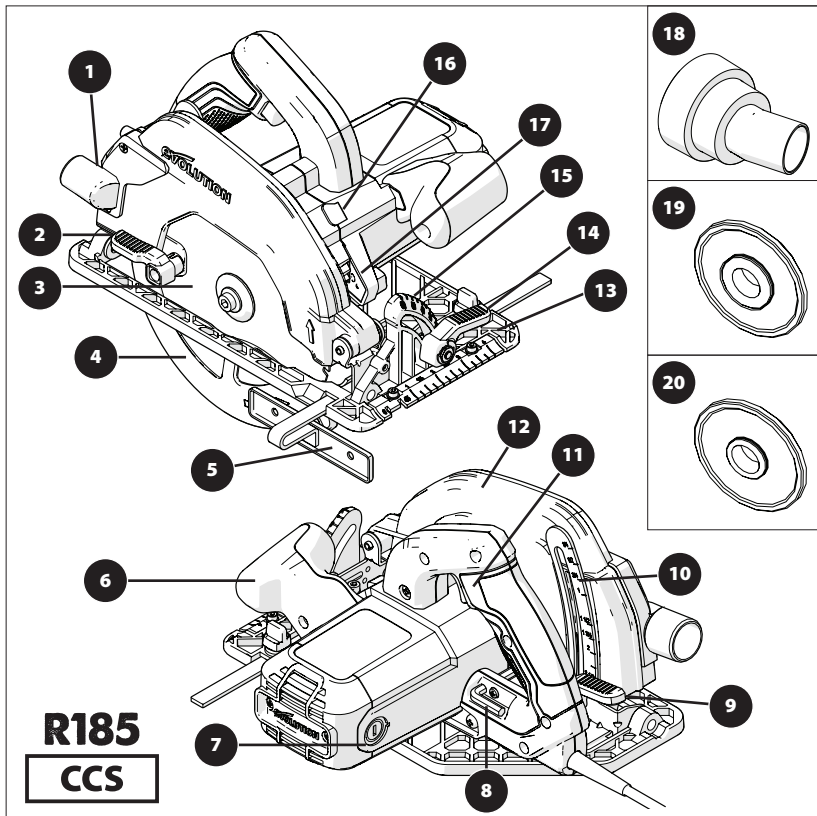
ÉTATS-UNIS



1. PORT D'ÉJECTION DU MATÉRIAU DÉCOUPÉ
2. LEVIER ACTIONNÉ PAR LE POUCE
3. LAME TCT MULTI-MATÉRIAUX
4. CARTER DE LAME INFÉRIEUR
5. GUIDE PARALLÈLE
6. POIGNÉE ERGONOMIQUE AVANT
7. BROSSES EN CARBONE
8. CLÉ HEXAGONALE 8 MM (CHANGEMENT DE LAME)
9. LEVIER DE BLOCAGE ET DE RÉGLAGE DE PROFONDEUR
10. GRADUATION DE PROFONDEUR
11. POIGNÉE ARRIÈRE
12. CARTER DE LAME SUPÉRIEUR
13. PLAQUE EN ACIER DE PRÉCISION
14. LEVIER ACTIONNÉ PAR LE POUCE
15. RAPPORTEUR

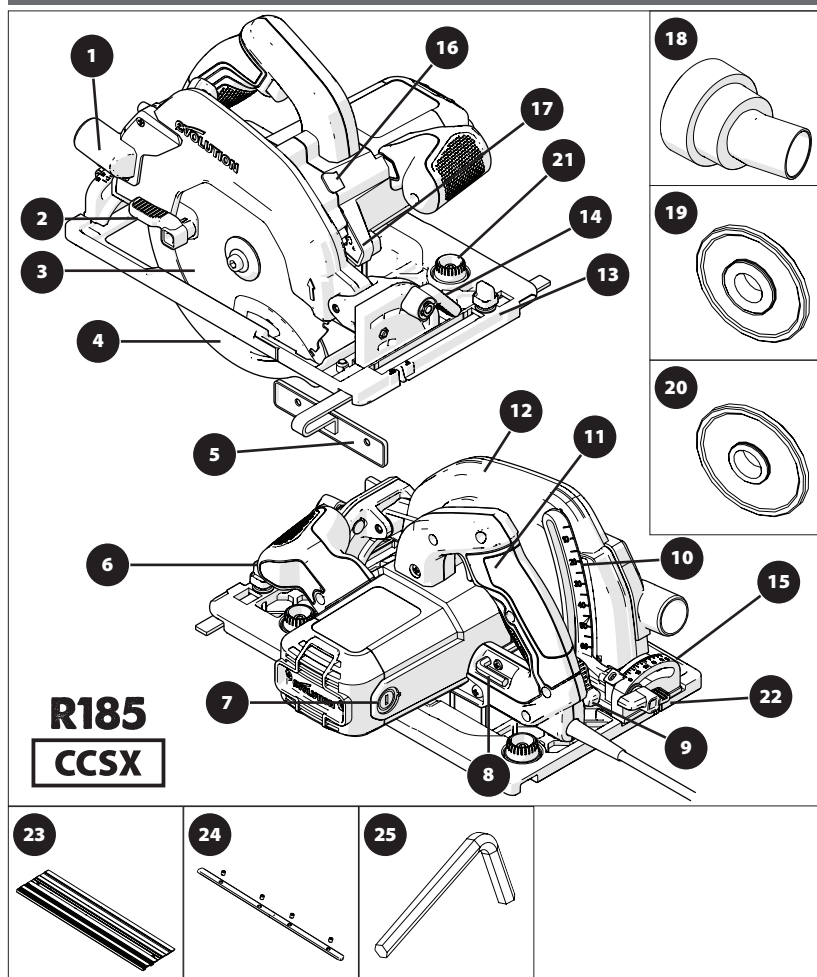
16. BOUTON DE BLOCAGE DE L'ARBRE
17. RACCORD DU PORT À POUSSIÈRES
18. FLASQUE INTÉRIEURE DE LA LAME 25/32 POUCES
19. FLASQUE INTÉRIEURE DE LA LAME 5/8 POUCES

ÉTATS-UNIS



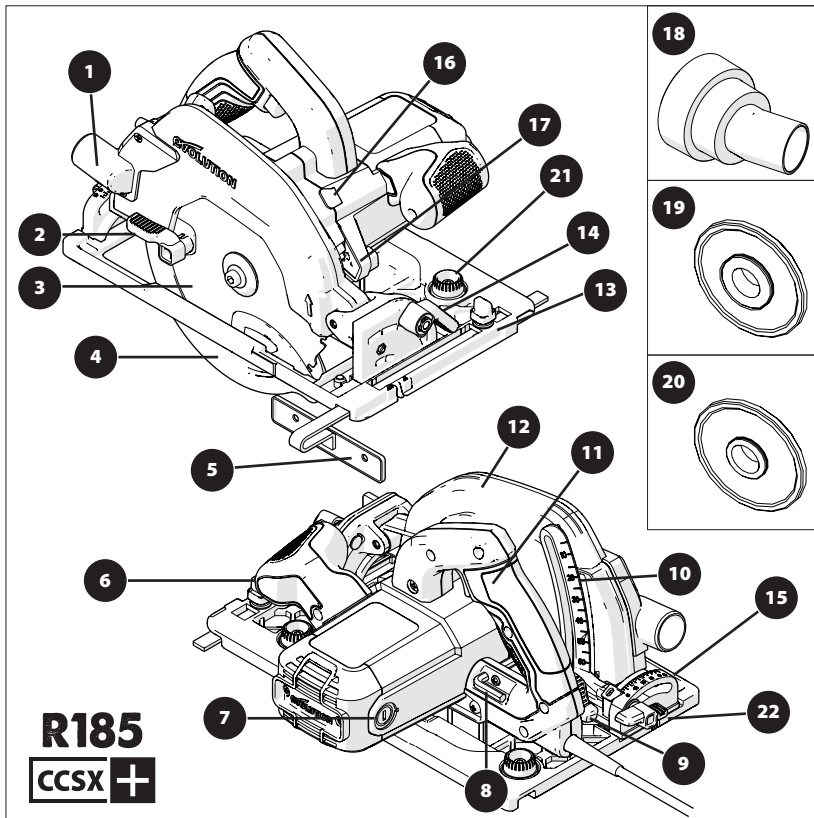
- | | |
|---|--|
| <ol style="list-style-type: none"> 1. PORT D'ÉJECTION DU MATÉRIAU DÉCOUPÉ 2. LEVIER ACTIONNÉ PAR LE POUCE 3. LAME TCT MULTI-MATÉRIAUX 4. CARTER DE LAME INFÉRIEUR 5. GUIDE PARALLÈLE 6. POIGNÉE ERGONOMIQUE AVANT 7. BROSSES EN CARBONE 8. CLÉ HEXAGONALE 8 MM (CHANGEMENT DE LAME) 9. LEVIER DE BLOCAGE ET DE RÉGLAGE DE PROFONDEUR 10. GRADUATION DE PROFONDEUR 11. INTERRUPTEUR MARCHE/ARRÊT DE LA POIGNÉE ARRIÈRE 12. CARTER DE LAME SUPÉRIEUR 13. PLAQUE EN ACIER DE PRÉCISION 14. LEVIER ACTIONNÉ PAR LE POUCE DE RÉGLAGE DU BISEAU | <ol style="list-style-type: none"> 15. RAPPORTEUR 16. BOUTON DE BLOCAGE DE L'ARBRE 17. VOYANT À LED 18. RACCORD DU PORT À POUSSIÈRES 19. FLASQUE INTÉRIEURE DE LA LAME 25/32 POUCES 20. FLASQUE INTÉRIEURE DE LA LAME 5/8 POUCES |
|---|--|

ÉTATS-UNIS



- | | | |
|--|---|---|
| <ol style="list-style-type: none"> 1. PORT D'ÉJECTION DU MATÉRIAU DÉCOUPÉ 2. LEVIER ACTIONNÉ PAR LE POUCE 3. LAME TCT MULTI-MATÉRIAUX 4. CARTER DE LAME INFÉRIEUR 5. GUIDE PARALLÈLE 6. POIGNÉE ERGONOMIQUE AVANT 7. BROSSES EN CARBONE 8. CLÉ HEXAGONALE 5/16" (CHANGEMENT DE LAME) 9. LEVIER DE BLOCAGE ET DE | <ol style="list-style-type: none"> 10. RÉGLAGE DE PROFONDEUR 11. INTERRUPTEUR MARCHE/ARRÊT DE LA POIGNÉE ARRIÈRE 12. CARTER DE LAME SUPÉRIEUR 13. PLAQUE EN ACIER DE PRÉCISION COMPATIBLE AVEC LE GUIDE 14. LEVIER ACTIONNÉ PAR LE POUCE 15. RAPPORTEUR ARRIÈRE 16. BOUTON DE BLOCAGE DE L'ARBRE 17. VOYANT À LED | <ol style="list-style-type: none"> 18. RACCORD DU PORT À POUSSIÈRES 19. FLASQUE INTÉRIEURE DE LA LAME 25/32 POUCES 20. FLASQUE INTÉRIEURE DE LA LAME 5/8 POUCES 21. BOUTONS PIVOTANTS DE RÉGLAGE DU GUIDE 22. VIS PAPILLON DU BISEAU ARRIÈRE 23. 3x GUIDE 13-3/8" 24. 4x BARRES DU RACCORD DU GUIDE 25. CLÉ HEXAGONALE 1/8" |
|--|---|---|

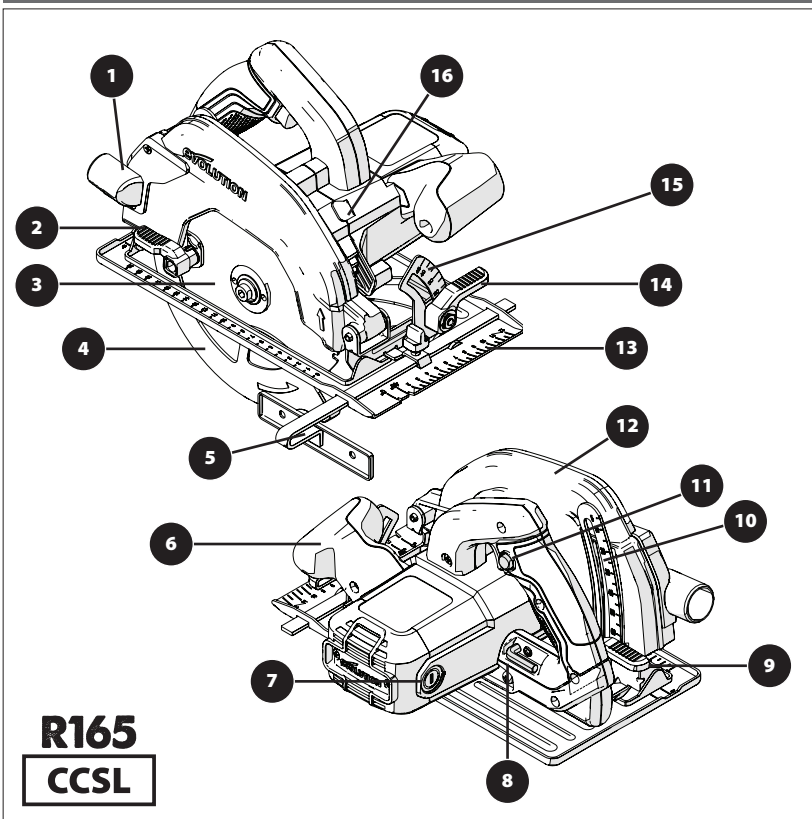
ÉTATS-UNIS



R185
CCSX

- | | |
|---|---|
| <ol style="list-style-type: none"> 1. PORT D'ÉJECTION DU MATÉRIAU DÉCOUPÉ 2. LEVIER ACTIONNÉ PAR LE POUCE 3. LAME TCT MULTI-MATÉRIAUX 4. CARTER DE LAME INFÉRIEUR 5. GUIDE PARALLÈLE 6. POIGNÉE ERGONOMIQUE AVANT 7. BROSSES EN CARBONE 8. CLÉ HEXAGONALE 8 MM (CHANGEMENT DE LAME) 9. LEVIER DE BLOCAGE ET DE RÉGLAGE DE PROFONDEUR 10. GRADUATION DE PROFONDEUR 11. INTERRUPTEUR MARCHE/ARRÊT DE LA POIGNÉE ARRIÈRE 12. CARTER DE LAME SUPÉRIEUR 13. PLAQUE EN ACIER DE PRÉCISION COMPATIBLE AVEC LE GUIDE | <ol style="list-style-type: none"> 14. LEVIER ACTIONNÉ PAR LE POUCE 15. RAPPORTEUR ARRIÈRE 16. BOUTON DE BLOCAGE DE L'ARBRE 17. VOYANT À LED 18. RACCORD DU PORT À POUSSIÈRES 19. FLASQUE INTÉRIEURE DE LA LAME 25/32 POUÇES 20. FLASQUE INTÉRIEURE DE LA LAME 5/8 POUÇES 21. BOUTONS PIVOTANTS DE RÉGLAGE DU GUIDE 22. VIS PAPILLON DU BISEAU ARRIÈRE |
|---|---|

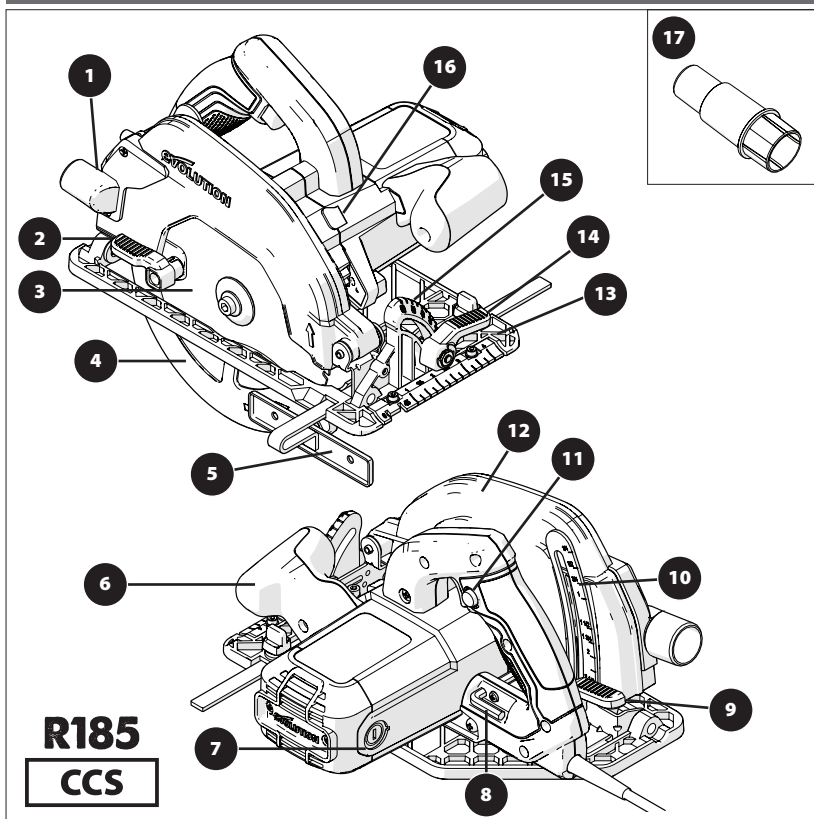
RU / UE / AUS



R165
CCSL

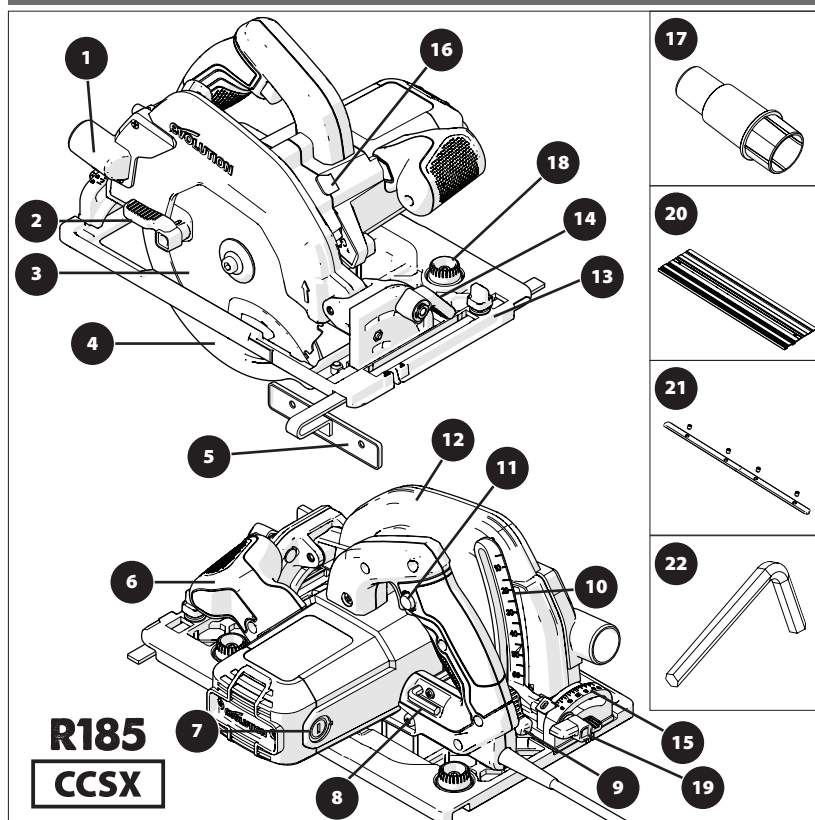
- | | |
|--|----------------------------------|
| 1. PORT D'ÉJECTION DU MATÉRIAU DÉCOUPÉ | 15. RAPPORTEUR |
| 2. LEVIER ACTIONNÉ PAR LE POUCE | 16. BOUTON DE BLOCAGE DE L'ARBRE |
| 3. LAME TCT MULTI-MATÉRIAUX | |
| 4. CARTER DE LAME INFÉRIEUR | |
| 5. GUIDE PARALLÈLE | |
| 6. POIGNÉE ERGONOMIQUE AVANT | |
| 7. BROSSES EN CARBONE | |
| 8. CLÉ HEXAGONALE 8 MM (CHANGEMENT DE LAME) | |
| 9. LEVIER DE BLOCAGE ET DE RÉGLAGE DE PROFONDEUR | |
| 10. GRADUATION DE PROFONDEUR | |
| 11. POIGNÉE ARRIÈRE COMPRENANT L'INTERRUPTEUR DE SÉCURITÉ MARCHE/ARRÊT | |
| 12. CARTER DE LAME SUPÉRIEUR | |
| 13. PLAQUE EN ACIER DE PRÉCISION | |
| 14. LEVIER ACTIONNÉ PAR LE POUCE | |

RU / UE



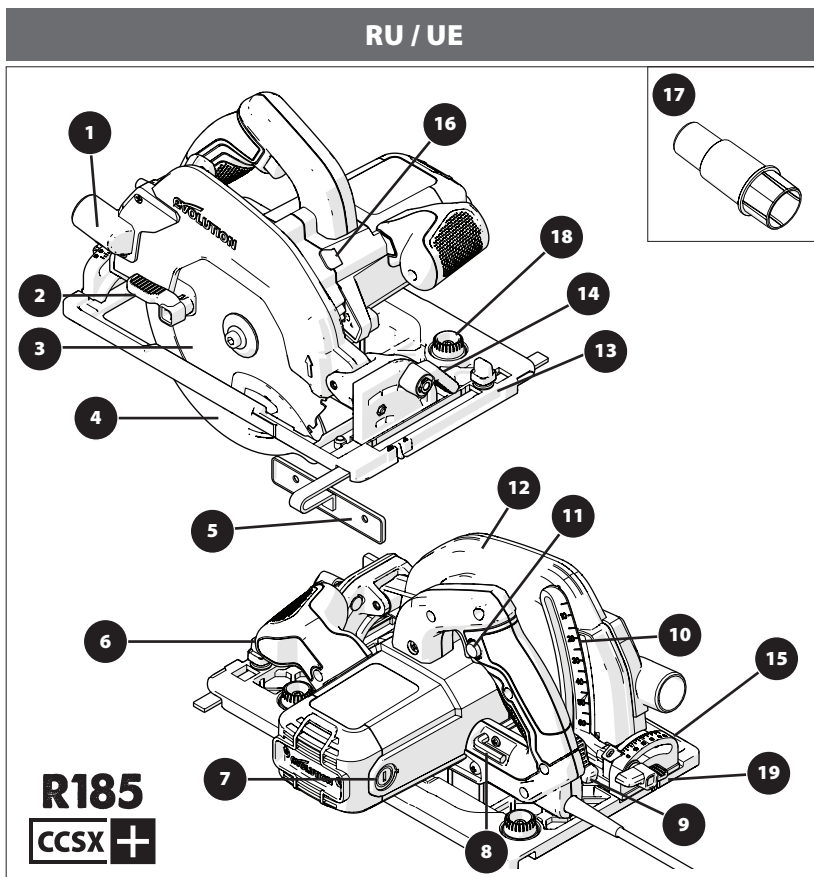
- | | |
|---|--|
| <ol style="list-style-type: none"> 1. PORT D'ÉJECTION DU MATÉRIAU DÉCOUPÉ 2. LEVIER ACTIONNÉ PAR LE POUCE 3. LAME TCT MULTI-MATÉRIAUX 4. CARTER DE LAME INFÉRIEUR 5. GUIDE PARALLÈLE 6. POIGNÉE ERGONOMIQUE AVANT 7. BROSSES EN CARBONE 8. CLÉ HEXAGONALE 8 MM (CHANGEMENT DE LAME) 9. LEVIER DE BLOCAGE ET DE RÉGLAGE DE PROFONDEUR 10. GRADUATION DE PROFONDEUR 11. POIGNÉE ARRIÈRE COMPRENANT L'INTERRUPTEUR DE SÉCURITÉ MARCHE/ARRÊT 12. CARTER DE LAME SUPÉRIEUR 13. PLAQUE EN ACIER DE PRÉCISION 14. LEVIER ACTIONNÉ PAR LE POUCE | <ol style="list-style-type: none"> 15. RAPPORTEUR 16. BOUTON DE BLOCAGE DE L'ARBRE 17. RACCORD DU PORT À POUSSIÈRES |
|---|--|

RU / UE



- | | |
|--|---|
| 1. PORT D'ÉJECTION DU MATÉRIAU DÉCOUPÉ | 14. LEVIER ACTIONNÉ PAR LE POUCE |
| 2. LEVIER ACTIONNÉ PAR LE POUCE | 15. RAPPORTEUR ARRIÈRE |
| 3. LAME TCT MULTI-MATÉRIAUX | 16. BOUTON DE BLOCAGE DE L'ARBRE |
| 4. CARTER DE LAME INFÉRIEUR | 17. RACCORD DU PORT À POUSSIÈRES |
| 5. GUIDE PARALLÈLE | 18. BOUTONS PIVOTANTS DE RÉGLAGE DU GUIDE |
| 6. POIGNÉE ERGONOMIQUE AVANT | 19. VIS PAPILLON DU BISEAU ARRIÈRE |
| 7. BROSSES EN CARBONE | 20. 3x GUIDE 340 mm |
| 8. CLÉ HEXAGONALE 8 MM (CHANGEMENT DE LAME) | 21. 4x BARRES DU RACCORD DU GUIDE |
| 9. LEVIER DE BLOCAGE ET DE RÉGLAGE DE PROFONDEUR | 22. CLÉ HEXAGONALE 3 mm |
| 10. GRADUATION DE PROFONDEUR | |
| 11. POIGNÉE ARRIÈRE COMPRENANT L'INTERRUPTEUR DE SÉCURITÉ MARCHÉ/ARRÊT | |
| 12. CARTER DE LAME SUPÉRIEUR | |
| 13. PLAQUE EN ACIER DE PRÉCISION COMPATIBLE AVEC LE GUIDE | |

RU / UE



- 1. PORT D'ÉJECTION DU MATÉRIAU DÉCOUPÉ
- 2. LEVIER ACTIONNÉ PAR LE POUCE
- 3. LAME TCT MULTI-MATÉRIEAUX
- 4. CARTER DE LAME INFÉRIEUR
- 5. GUIDE PARALLÈLE
- 6. POIGNÉE ERGONOMIQUE AVANT
- 7. BROSSES EN CARBONE
- 8. CLÉ HEXAGONALE 8 MM (CHANGEMENT DE LAME)
- 9. LEVIER DE BLOCAGE ET DE RÉGLAGE DE PROFONDEUR
- 10. GRADUATION DE PROFONDEUR
- 11. POIGNÉE ARRIÈRE COMPRENANT L'INTERRUPTEUR DE SÉCURITÉ MARCHE/ARRÊT
- 12. CARTER DE LAME SUPÉRIEUR
- 13. PLAQUE EN ACIER DE PRÉCISION COMPATIBLE AVEC LE GUIDE

- 14. LEVIER ACTIONNÉ PAR LE POUCE
- 15. RAPPORTEUR ARRIÈRE
- 16. BOUTON DE BLOCAGE DE L'ARBRE
- 17. RACCORD DU PORT À POUSSIÈRES
- 18. BOUTONS PIVOTANTS DE RÉGLAGE DU GUIDE
- 19. VIS PAPILLON DU BISEAU ARRIÈRE

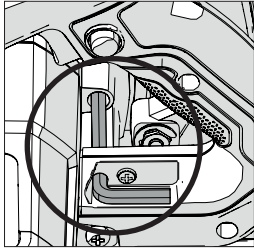


Fig. 1

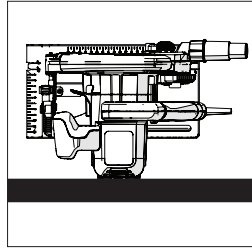


Fig. 2

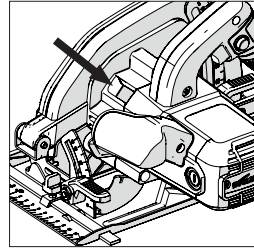


Fig. 3

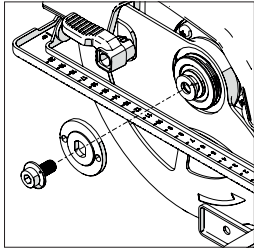


Fig. 4

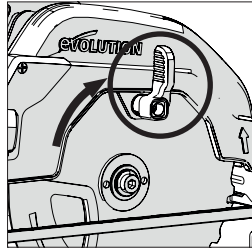


Fig. 5

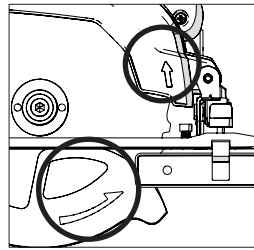


Fig. 6

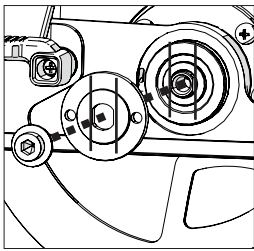


Fig. 7a

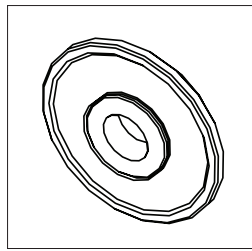


Fig. 7b

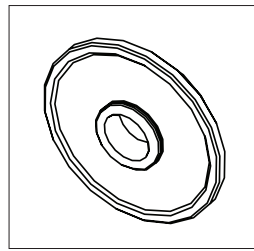


Fig. 7c

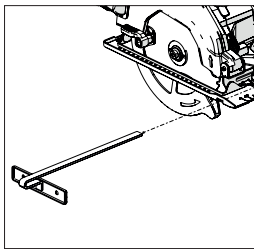


Fig. 8

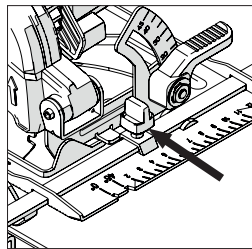


Fig. 9

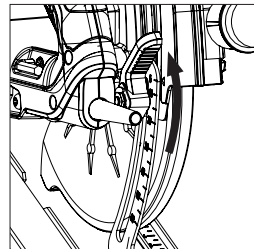


Fig. 10

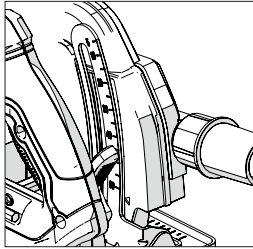


Fig. 11

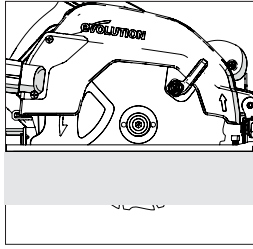


Fig. 12

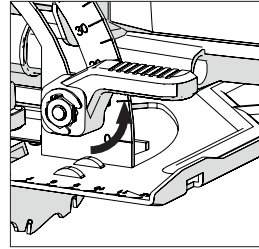


Fig. 13

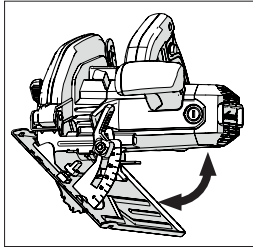


Fig. 14

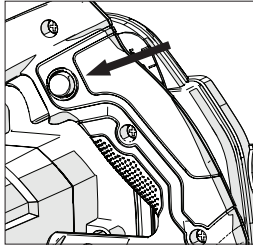


Fig. 15

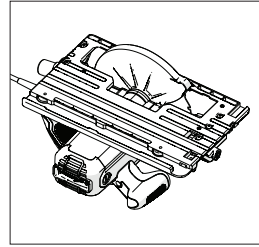


Fig. 16

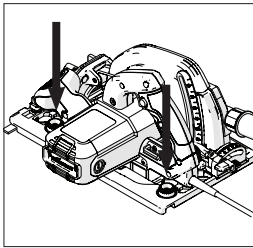


Fig. 17

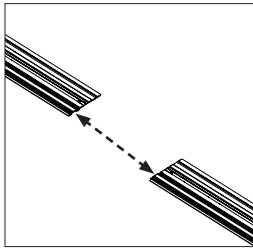


Fig. 18

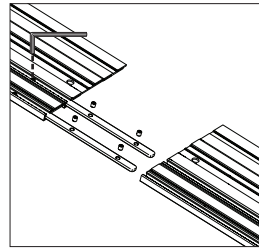


Fig. 19

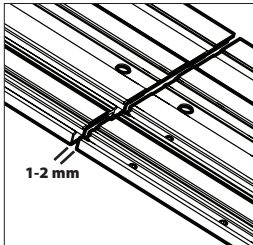


Fig. 20

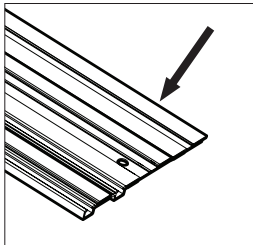


Fig. 21

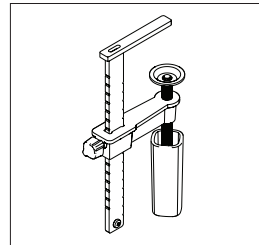


Fig. 22

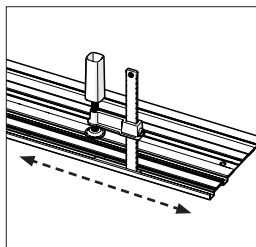


Fig. 23

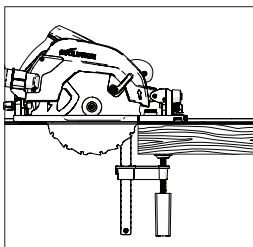


Fig. 24

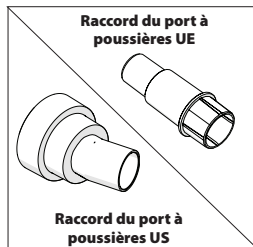


Fig. 25

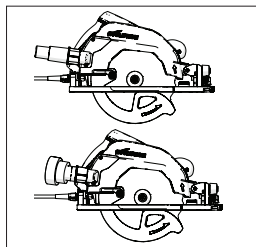


Fig. 26

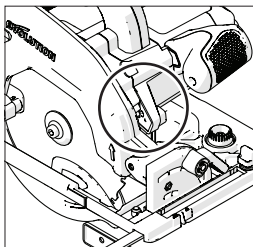


Fig. 27

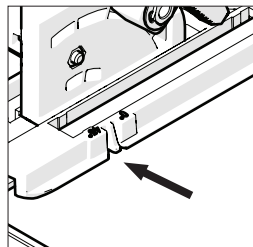


Fig. 28

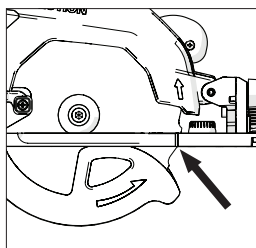


Fig. 29

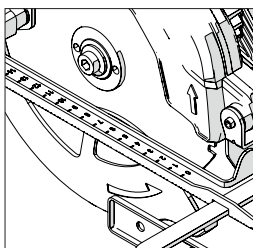


Fig. 30

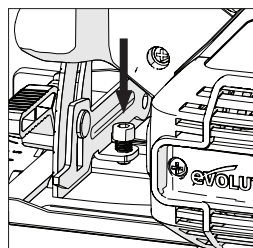


Fig. 31

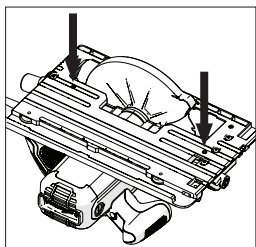


Fig. 32

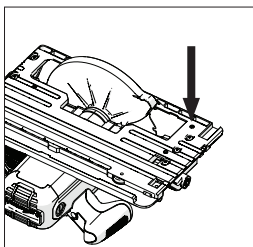


Fig. 33

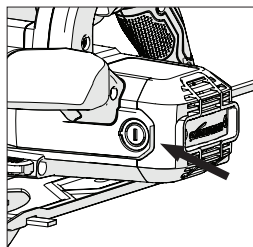


Fig. 34

EN

ES

DE

FR

IT

PL

PT

RO

(10) **PRÉPARATION**

AVERTISSEMENT : Débranchez toujours la scie de l'alimentation électrique avant de faire des réglages.

Remarque : Ces machines sont équipées d'un cordon et d'une fiche dont l'utilisation est approuvée dans le pays pour lequel ils sont prévus. N'altérez pas le cordon d'alimentation et ne le modifiez pas.

(10.1) **INSTALLATION/RETRAIT D'UNE LAME**

AVERTISSEMENT : N'utilisez que des lames Evolution (ou des lames approuvées par Evolution Power Tools) conçues pour être utilisées avec ces machines. Assurez-vous que la vitesse maximale de la lame est compatible avec la machine. Cette opération doit être réalisée uniquement quand la machine est débranchée de sa source d'alimentation.

Remarque : Nous recommandons à l'opérateur de porter des gants de protection lors de l'installation ou du changement de la lame.

- Repérez la clé hexagonale de changement de lame fournie qui se trouve dans le dispositif de rangement embarqué (au même endroit sur toutes les machines). **(Fig. 1)**
- Placez la scie sur une surface plane et sûre.

Remarque : En prenant les précautions nécessaires, toutes les machines peuvent être posées en équilibre sur l'extrémité plate du carter moteur **(Fig. 2)** afin de pouvoir accéder facilement à la lame et aux fixations de la lame.

- Repérez le bouton de blocage de l'arbre de la machine (au même endroit sur toutes les machines). Verrouillez l'arbre de la machine en appuyant sur le bouton de blocage de l'arbre. **(Fig. 3)**.

Remarque : Le blocage de l'arbre sera facilité par le pivotement de la lame à la main tout en appuyant doucement sur le bouton de blocage de l'arbre.

- À l'aide de la clé hexagonale, desserrez et retirez la vis à tête creuse de l'arbre, les fixations

associées et la flasque d'entraînement extérieure de la lame. **(Fig. 4)**

Remarque : La vis à tête creuse de l'arbre est pourvue d'un filetage standard. Faites tourner la vis dans le sens des aiguilles d'une montre pour la serrer. Faites tourner la vis dans le sens inverse des aiguilles d'une montre pour la desserrer.

- Rangez la flasque extérieure de la lame et les fixations associées dans un lieu sûr.
- Faites pivoter le carter de lame inférieur dans le carter de lame supérieur grâce au levier manuel à actionner avec le pouce. **(Fig. 5)**
- Retirez soigneusement la lame (s'il y en a une) de la machine.
- Nettoyez méticuleusement les flasques d'entraînement extérieures et intérieures de la lame.

Remarque : Vous pouvez laisser la flasque intérieure de la lame en place si vous le souhaitez, mais vous devez la contrôler et la nettoyer soigneusement. Si vous décidez de la retirer de la machine, remettez-la dans la même position en suivant la même orientation qu'avant son retrait.

- Nettoyez méticuleusement la zone de l'alésage de la lame (des deux côtés), à l'endroit où les flasques de la lame se touchent et bloquent la lame.
- Installez la (nouvelle) lame.
- Assurez-vous que la direction des flèches de rotation imprimées sur la lame correspond au sens de rotation des flèches qui se trouvent sur les carters inférieurs et supérieurs de la machine. **(Fig. 6)**
- Réinstallez la bride d'entraînement extérieure, la vis à tête creuse de l'arbre et les fixations associées.

Remarque : La flasque d'entraînement extérieure est pourvue d'un alésage spécialement usiné comportant deux « pièces plates » opposées. **(Fig. 7a)** Ces « pièces plates » s'enclenchent avec deux « pièces plates » complémentaires présentes sur l'arbre de la machine.

- Réenclenchez le verrouillage de l'arbre et serrez la vis à tête creuse de l'arbre à l'aide de la clé hexagonale.
- Relâchez le bouton de blocage de l'arbre

- Rangez la clé hexagonale dans l'emplacement qui lui est dédié.
- Vérifiez que le verrou de l'arbre a été complètement desserré en faisant tourner manuellement la lame.
- Vérifiez le bon fonctionnement du carter de lame inférieur.

Remarque : Pour le marché nord-américain uniquement, une flasque d'arbre bilatérale est incluse pour l'utilisation de lames pourvues d'un alésage de 1 pouce (**Fig.7b**) et de lames pourvues d'un alésage de 5/8 pouce (**Fig.7c**).

(11) GUIDE PARALLÈLE

Un guide parallèle (**Fig. 8**) pouvant se révéler particulièrement utile lors d'une découpe longitudinale est fourni avec toutes les machines CCS. Le guide peut être monté à l'avant de la plaque en acier. Insérez le bras du guide dans la fente rectangulaire située de chaque côté (à l'avant) de la plaque en acier embouti et faites-le glisser sous la vis de blocage et de réglage située au centre. (**Fig. 9**)

Remarque : Le guide parallèle peut être monté de chaque côté de la plaque en acier.

AVERTISSEMENT : Montez et réglez le guide uniquement quand la machine est débranchée de sa source d'alimentation.

Remarque : Le bras du guide parallèle doit passer à travers toutes les fentes rectangulaires de la plaque en acier.

AVERTISSEMENT : Il peut s'avérer dangereux d'installer le guide parallèle et de tenter de l'utiliser si le bras ne passe qu'à travers une (1) des fentes rectangulaires usinées sur la plaque en acier. Réglez le guide parallèle de sorte qu'il se trouve à la distance requise de la lame et serrez la vis de réglage. Vérifiez que le guide parallèle est parallèle à la lame de la scie.

(12) RÉGLAGE DE LA PROFONDEUR DE COUPE

Remarque : Toutes les machines CCS partagent les mêmes équipements de réglage de la

profondeur et utilisent la même technique de base pour régler la profondeur de la lame.

- Desserrez le mécanisme de blocage et de réglage de la profondeur en levant le levier de fonctionnement. (**Fig. 10**)
- Réglez/repositionnez la plaque en acier pour sélectionner la profondeur de coupe souhaitée (la distance à laquelle la lame avance dans la plaque en acier).

Remarque : Vous trouverez une graduation de profondeur sur le cadran de réglage de la profondeur comportant un trait de repère correspondant sur la zone adjacente du carter de lame supérieur de la machine. (**Fig. 11**) L'utilisation de ces fonctionnalités permet un réglage plus rapide.

Remarque : Si la graduation de profondeur et le trait de repère sont extrêmement utiles car ils permettent de régler rapidement la profondeur de coupe, vous devez toujours les utiliser en tant que guide pour le réglage souhaité.

Si vous avez besoin d'une profondeur de coupe très précise, le réglage de la lame doit être effectué et vérifié à l'aide d'une règle d'ingénieur de précision (non fournie) ou d'un outil similaire et la lame ajustée en conséquence.

- Dans la plupart des cas, la profondeur de coupe doit être réglée sur la valeur correspondant à l'épaisseur du matériau à découper, plus l'épaisseur de la moitié d'une dent de scie (du bout de la dent jusqu'à sa racine). (**Fig.12**)
- Serrez le mécanisme de blocage et de réglage de la profondeur en abaissant le levier de fonctionnement pour bien verrouiller la machine dans la position souhaitée.

(13) RÉGLAGE DE L'ANGLE DE COUPE (BISEAU)

Toutes les machines CCSL et CCSX ont la capacité d'incliner la lame jusqu'à 45° et toutes les machines CCS ont la capacité d'incliner la lame jusqu'à 60° à gauche. Il est donc possible de réaliser des coupes en biseau.

Remarque : La lame est en position verticale lorsque le rapporteur indique 0°.

EN

ES

DE

FR

IT

PL

PT

RO

Remarque : Un rapporteur (0°- 45° ou 0°- 60°) est inclus sur le cadran de blocage du biseau situé à l'avant de la plaque en acier. Cet outil sert à régler rapidement l'angle du biseau mais doit uniquement servir de guide.

Si vous avez besoin d'un angle de biseau très précis, le réglage de la lame doit être effectué et vérifié à l'aide d'un calibre d'angle Vernier (non fourni) et la lame ajustée en conséquence.

- Desserrez le mécanisme de blocage du biseau situé à l'avant de la machine en soulevant le levier. **(Fig. 13)**
- Inclinez la lame selon l'angle souhaité, comme indiqué sur le rapporteur du cadran. **(Fig. 14)**
- Serrez bien le mécanisme de blocage du biseau après avoir atteint l'angle du biseau souhaité en abaissant le levier.

(14) CONSEILS D'UTILISATION (VÉRIFICATIONS AVANT UTILISATION)

Remarque : Comme tous les cadres d'utilisation sont uniques et divers, Evolution Power Tools propose les conseils généraux suivants concernant les procédures et pratiques d'utilisation en toute sécurité à l'attention de l'utilisateur.

Ces conseils ne peuvent se révéler exhaustifs car Evolution ne peut contrôler le type d'atelier ou d'environnement de travail dans lequel ces machines peuvent être utilisées.

Nous incitons l'utilisateur à demander conseil à une autorité compétente ou au superviseur d'atelier s'il n'est pas sûr d'un quelconque aspect lié à l'utilisation de ces machines.

Il est important de réaliser des vérifications de sécurité de routine (à chaque utilisation) avant que l'utilisateur n'utilise la machine.

AVERTISSEMENT : Ces vérifications de sécurité avant utilisation doivent être effectuées lorsque la machine est débranchée de la prise électrique.

- Vérifiez que tous les carters de sécurité fonctionnent correctement et que toutes les poignées/vis de réglage sont bien serrées.
- Vérifiez que la lame est bien fixée et correctement installée. Assurez-vous également d'avoir choisi une lame de scie adaptée au

matériau à découper.

- Vérifiez l'état du cordon d'alimentation.
- Si possible, fixez la pièce à usiner à l'aide d'une pince sur une structure de soutien rigide comme un établi, des tréteaux ou une surface similaire.
- L'opérateur doit toujours être conscient de la position et de l'acheminement du câble d'alimentation.

(15) EPI

- L'opérateur doit porter tous les EPI (équipements de protection individuels) adéquats et nécessaires à la réalisation de la tâche prévue. Cela peut comprendre des lunettes de sécurité, un masque facial intégral, un masque à poussière, des chaussures de sécurité, etc.

Remarque : Toutes les machines de série CCS sont équipées d'un projecteur de débris sur la ligne de coupe. Ce dispositif dirige l'air d'un ventilateur alimenté par le moteur en direction de la zone située à l'avant de la lame pour que la ligne de coupe soit relativement dénuée de débris. Cet équipement permet à l'opérateur de mieux voir et suivre la progression de la lame de la scie le long de la découpe et aux lignes de marquage de rester visibles.

AVERTISSEMENT : Toute poussière générée présente un risque potentiel pour la santé. Certains matériaux peuvent se révéler particulièrement dangereux et l'opérateur doit toujours porter un masque anti-poussière adapté au matériau usiné. Recherchez l'avis et l'aide d'un professionnel si l'opérateur doute de la toxicité potentielle du matériau à découper.

AVERTISSEMENT : N'utilisez jamais ces machines pour découper de l'amiante ou tout matériau contenant de l'amiante ou suspecté d'en contenir.

Consultez et informez les autorités compétentes et demandez davantage de conseils si vous suspectez une contamination à l'amiante.

(16) INTERRUPTEUR À GÂCHETTE MARCHE/ARRÊT

Remarque : Toutes les machines destinées aux marchés européens et australiens sont équipées d'un interrupteur à gâchette de « démarrage de sécurité » afin de renforcer la sécurité de l'opérateur. **(Fig.15)**

Pour démarrer le moteur :

- Avec votre pouce, appuyez sur le bouton de verrouillage de sécurité situé à côté de la poignée.
- Relâchez l'interrupteur à gâchette.

Pour arrêter le moteur :

- Relâchez l'interrupteur à gâchette.

AVERTISSEMENT : Ne démarrez jamais le moteur si la lame de la scie est en contact direct avec n'importe quelle surface de la pièce à usiner.

Remarque : Les machines destinées au marché nord-américain sont équipées d'un interrupteur à gâchette MARCHE/ARRÊT qui ne comprend pas d'interrupteur à gâchette de « démarrage de sécurité ».

AVERTISSEMENT : Si la scie est en marche (le voyant LED en position « ON »), évitez de démarrer le moteur accidentellement en la soulevant d'un établi ou d'une surface similaire. Le fait de relâcher accidentellement l'interrupteur à gâchette MARCHE/ARRÊT (situé dans la poignée principale) en soulevant la machine en veille démarrera le moteur.

GUIDES DE DÉCOUPE

Les machines Evolution de la gamme CCSX (consultez la page des caractéristiques pour les modèles concernés) ont été conçues et équipées de manière à être compatibles avec les guides de découpe.

Remarque : Toute scie circulaire pouvant être utilisée avec un guide de découpe disposera d'un profilé le long de la surface inférieure de la plaque en acier (**Fig. 16**)

Les machines Evolution équipées d'un tel profilé peuvent être fixées et utilisées avec la plupart des guides de découpe actuellement disponibles.

Remarque : Consultez la documentation fournie avec le guide par son fabricant. La documentation fournie décrira normalement les instructions de montage du guide ainsi que les informations concernant les bonnes pratiques de travail devant être respectées lors de l'utilisation d'un tel équipement.

Il est possible d'utiliser des guides de découpe lorsque :

- L'utilisation d'une scie circulaire ou à tronçonner risque de poser des problèmes de santé et de sécurité ou d'autres problèmes pratiques dans l'environnement de travail. Par exemple, lors d'un travail sur un site de construction nécessitant un contrôle extrêmement rapproché et précis, (travail sur un toit ou une plateforme d'échafaudage, etc.), l'utilisation d'un guide de découpe peut élargir les possibilités d'opération de l'utilisateur de manière sûre.
- Il est nécessaire de réaliser des découpes précises en long ou en large sur de grandes pièces à usiner. Par exemple sur des cadres, portes, grandes planches ou panneaux muraux, etc., un guide de découpe peut potentiellement éliminer la nécessité d'utiliser une scie circulaire « à main levée ».

Remarque : Les machines Evolution compatibles avec les guides de découpe sont équipées de deux (2) cames qui passent dans le profilé de la plaque en acier (une à chaque extrémité).

Les « boutons pivotants » (**Fig. 17**) permettent à l'utilisateur de faire pivoter ces cames.

Le réglage de ces cames réduira légèrement la largeur effective du profilé de la plaque en acier. Cette opération peut se révéler nécessaire pour s'adapter à aux infimes variations de la largeur du rail pouvant survenir lors de l'extrusion du guide. Les largeurs des rails des guides produits par différents fabricants peuvent également varier légèrement.

Remarque : L'utilisateur doit régler ces cames de sorte que, lorsque la machine est correctement placée sur un guide, elle puisse facilement et doucement être déplacée vers l'avant ou vers l'arrière sans aucun mouvement latéral (jeu) détectable.

GUIDES DE DÉCOUPE EVOLUTION

Certaines machines Evolution (selon le modèle et le marché de destination) sont fournies avec un guide de découpe.

Remarque : Les clients peuvent acheter les guides de découpe Evolution en option à l'achat. Contactez votre fournisseur ou Evolution Power Tools pour en savoir plus.

LE GUIDE

Le système de guide Evolution est composé de deux (2) ou trois (3) sections en alliage extrudé de précision.

(Fig. 18) Ces sections doivent être assemblées à l'aide des barres d'assemblage fournies. (Fig. 19)

Assemblage des sections (Fig. 19) :

- Faites glisser les barres dans les fentes en « T » situées sur la surface inférieure des extrusions.
- Vérifiez que les barres sont insérées à la même longueur (environ) dans chacune des sections à assembler.
- Serrez les vis à tête creuse pour fixer les sections les unes aux autres.

Remarque : Il est important de laisser un petit espace de 1 à 2 mm entre les sections assemblées. Grâce à cela, lorsqu'une scie circulaire est placée et utilisée avec un guide de découpe transversale Evolution, elle glissera facilement tout le long du guide.

INTÉGRATION DE LA SCIE SUR LE GUIDE

Remarque : Les consignes suivantes s'appliquent aux scies circulaires et au guide de découpe Evolution. Consultez les informations fournies par les fabricants de la scie et/ou du guide de découpe s'il est nécessaire d'utiliser une scie circulaire ou un guide de découpe ne provenant pas d'Evolution.

Avant la première utilisation du guide de découpe Evolution, la bande pare-éclats (Fig. 21) doit correspondre à la scie et à la lame.

Correspondance de la scie et du guide :

- Assemblez complètement le guide de découpe.
- Référez-vous à la rubrique intitulée « positionnement et fixation du guide ». Fixez le guide sur une pièce adaptée composée d'un matériau inutilisé ou d'une chute.
- Réglez la lame de la scie à une profondeur adaptée à la pièce à usiner inutilisée choisie.
- Vérifiez que rien n'obstrue la trajectoire de la lame.
- Référez-vous à la rubrique intitulée « positionnement et fixation du guide ». Placez correctement la scie circulaire sur le guide.
- Démarrez le moteur et attendez qu'il atteigne sa vitesse maximale.
- Poussez doucement et régulièrement la scie circulaire tout le long du guide jusqu'à ce que la lame ait coupé l'intégralité de la bande pare-éclats.

Remarque : Cette étape liera une scie spécifique à un guide spécifique.

S'il est nécessaire d'utiliser une scie différente sur un guide ainsi préparé, la bande pare-éclats risque de ne pas offrir le même niveau de protection que si elle avait été utilisée avec la scie ayant servi à sa configuration.

Note: Remarque : La bande pare-éclats doit être considérée comme une pièce consommable. Avec le temps, elle s'usera et s'abrasera, et vous devrez la remplacer. Vous risquez également de devoir la remplacer s'il est nécessaire d'utiliser une scie circulaire ou une lame (avec un trait de scie d'une autre largeur) différente de la configuration originale choisie.

BANDE PARE-ÉCLATS REMPLAÇABLE

En tant que pièce consommable, vous devez contrôler la bande pare-éclats remplaçable à intervalles réguliers afin de repérer toute abrasion ou tout dommage dû à l'usure. Si vous constatez une quelconque présence importante d'usure ou de dommage, remplacez la bande.

Des bandes de remplacement sont disponibles. Contactez votre fournisseur ou Evolution par le biais de l'assistance téléphonique appropriée.

La bande pare-éclats remplaçable fournie remplace directement la pièce originale montée. Tirez doucement sur l'ancienne bande pour la décoller du guide et remplacez-la avec la nouvelle.

Remarque : Si vous installez une nouvelle bande, le processus de correspondance de la scie et du guide doit être renouvelé.

PINCES POUR GUIDE EVOLUTION

La pince de vitesse Evolution (**Fig. 22**) est conçue pour fonctionner avec le guide de découpe Evolution.

Remarque : Vous pouvez acheter d'autres pinces auprès d'Evolution Power Tools ou de votre fournisseur local.

Les pinces Evolution peuvent s'insérer et glisser le long des fentes en « T » situées sur la surface inférieure des extrusions en alliage. (**Fig. 23**)

Ainsi, l'utilisateur peut localiser les pinces (une pince doit être présente à chaque extrémité) dans des positions de sécurité maximale tout en conservant la rigidité du guide de découpe sur la pièce à usiner.

POSITIONNEMENT DU GUIDE ET FIXATION

Remarque : Les consignes suivantes sont fournies à titre indicatif. Evolution n'a aucune influence sur les environnements de travail ou les conditions dans lesquelles l'équipement est utilisé.

AVERTISSEMENT : S'il est nécessaire d'utiliser cet équipement sur un site de construction, l'utilisateur doit consulter la personne responsable de la santé et de la sécurité pour les consignes ou instructions de sécurité supplémentaires spécifiques au site.

- Marquez clairement la pièce à usiner et particulièrement la « ligne de découpe », le long de laquelle la lame doit avancer.
- Montez le guide de découpe en assemblant autant de sections que nécessaire pour couvrir la pièce à usiner en tenant compte du surplomb

nécessaire.

- Utiliser des pinces de vitesse Evolution (l'option la plus adaptée) ou des pinces en « G » permet de positionner le guide sur la pièce à usiner, puis de le fixer en serrant les pinces.
- Vérifiez que le bord de la bande pare-éclats corresponde exactement au long de la ligne de coupe marquée.

AVERTISSEMENT : Le guide de découpe doit surplomber la pièce à usiner au niveau du bord « d'attaque ». (**Fig. 24**)

Vous devrez rétracter manuellement le carter de lame inférieur et le faire pivoter vers le haut dans le carter de lame supérieur lors du placement de la scie circulaire sur le guide.

AVERTISSEMENT : Dans cette position, la lame est exposée. **N'APPUYEZ PAS** sur la gâchette avant d'avoir réalisé les vérifications de sécurité suivantes.

RÉALISER UNE DÉCOUPE

La réalisation d'une découpe à l'aide d'un guide de découpe est très similaire à la réalisation d'une découpe ordinaire avec une scie circulaire. Tous les protocoles et procédures de sécurité qui s'appliquent à l'utilisation d'une scie circulaire s'appliquent également lorsqu'une telle scie est utilisée avec un guide de découpe.

Les consignes suivantes, dont la liste est non-exhaustive, proposent des conseils généraux :

- Réalisez des vérifications de sécurité afin de vous assurer que le guide de découpe est bien fixé à la pièce à usiner et que la pièce à usiner est elle-même bien fixée et ne peut pas bouger lors d'une découpe.
- Vérifiez qu'aucun objet se trouvant sous la pièce à usiner ne risque d'empêcher ou de gêner la progression de la lame ou d'être endommagé par celle-ci.
- Vérifiez que le cordon d'alimentation est placé de manière à éviter les risques de chute (ou tout autre risque). Vérifiez surtout que le cordon d'alimentation ne peut pas entrer en contact avec la lame en rotation.
- L'utilisateur doit s'assurer de pouvoir conserver

EN

ES

DE

FR

IT

PL

PT

RO

une position stable, un bon équilibre et un contrôle total tout au long de la coupe lorsqu'il fait avancer la scie le long du guide. Faites particulièrement attention lorsque la lame sort de la pièce à usiner.

AVERTISSEMENT : Dans les cas particuliers de travail en hauteur (ou parfois dans d'autres cas), vérifiez qu'aucun matériau découpé ne risque de tomber et de blesser une personne à proximité. L'utilisateur peut être amené à trouver un moyen de récupérer ou de rattraper de tels matériaux découpés. Consultez la personne responsable de la sécurité du site pour obtenir des conseils adaptés.

Remarque : L'utilisateur peut envisager de réaliser une découpe d'essai à l'aide de la scie débranchée de l'alimentation électrique pour s'assurer que la procédure de découpe se déroulera en toute sécurité.

Une fois la découpe effectuée, l'utilisateur doit relâcher l'interrupteur à gâchette MARCHE/ARRÊT et attendre que le moteur et la lame s'arrêtent complètement.

Une fois la lame levée du guide de découpe et de la pièce à usiner, le carter de lame inférieur se déploiera automatiquement pour couvrir la lame dans son intégralité.

RÉCUPÉRATION DES POUSSIÈRES/ DÉBRIS

Une buse d'adaptation (**Fig. 25**) peut être montée sur toutes les machines CCS. Grâce à l'installation de cette buse, vous pouvez relier la machine à un appareil de récupération des poussières et des débris.

Remarque : La forme spécifique de la buse fournie dépend du type de modèle et du marché de destination de la machine.

La buse fournie est compatible avec un grand nombre d'appareils de récupération des poussières et des débris actuels. La buse peut être installée sur le port d'éjection du matériau découpé. (**Fig. 26**)

Remarque : Si nécessaire, il est possible de fixer une machine d'aspiration des poussières et des débris à la buse d'adaptation. Suivez les instructions du fabricant si vous décidez de brancher une machine de ce type et vérifiez qu'elle est capable de traiter le matériau découpé éjecté.

VOYANT LED

Certaines de ces machines (selon le modèle et le marché de destination) sont équipées d'un voyant LED automatique.

Remarque : Si vous n'êtes pas sûr des fonctionnalités présentes sur votre machine, consultez la page des caractéristiques de ce manuel.

Le voyant LED est situé sur le côté gauche (G) de la lame. (**Fig. 27**) Le faisceau de la LED illuminera le côté gauche de la lame et toute ligne de marquage présente sur la pièce à usiner. Cette fonctionnalité devrait aider l'utilisateur à anticiper la trajectoire de la lame dans la pièce à usiner et ainsi gagner en efficacité, précision et sécurité.

Remarque : Le fonctionnement du voyant LED est automatique. Dès que la machine est branchée à l'alimentation électrique, la LED s'active. Elle indique clairement à l'utilisateur que la machine a bien été branchée à l'alimentation électrique et qu'elle est alimentée (« sous tension ») et prête à commencer les opérations de découpe.

Remarque : Aucune pièce de l'ensemble du voyant LED ne peut être réparée par l'utilisateur et l'orientation du faisceau est réglée en usine. Le capuchon de protection de la lentille ne doit jamais être recouvert par de la poussière ou autre (voir la rubrique entretien) pour que la luminosité du faisceau projeté reste toujours maximale.

AVERTISSEMENT : Nettoyez uniquement le capuchon de la lentille lorsque la machine est débranchée de l'alimentation électrique et que la lame est parfaitement immobile.

DISPOSITIFS D'AIDE À LA DÉCOUPE INTÉGRÉS

Toutes les scies circulaires Evolution sont équipées

de divers dispositifs d'aide à la découpe ou de guides conçus pour aider l'utilisateur à réaliser des découpes précises et rapides en toute sécurité.

Remarque : Les fonctionnalités suivantes ne sont pas présentes sur toutes les machines.

Guides de ligne de découpe à 0° et 45° (Fig. 28)

Deux (2) petites encoches sont présentes sur le bord avant de la plaque en acier de la machine. Sur certains modèles, elles sont identifiées à l'aide d'une valeur d'angle. Ces encoches indiquent la position de la lame à sa sortie de la pièce à usiner lorsque l'angle d'inclinaison du biseau est réglé sur 0° (lame verticale) ou 45°.

Guide de l'avant de la lame (Fig. 29)

Remarque : Les machines Evolution compatibles avec le guide de découpe Evolution sont équipées d'une encoche située sur le bord droit (D) de la plaque en acier.

L'encoche indique la position du bord avant de la lame lorsque sa profondeur de coupe est réglée au maximum. Cette fonctionnalité peut être utilisée lors du placement et du positionnement de la scie sur le guide de découpe.

AVERTISSEMENT : Important : le carter de lame inférieur ou la lame ne doivent jamais entrer en contact avec aucune surface de la pièce à usiner lors du positionnement initial de la scie sur le guide de découpe.

Règles de guidage (Fig. 30)

Certaines scies circulaires Evolution sont équipées de règles de guidages. Elles sont situées le long des bords avant et/ou latéraux de la plaque en acier.

Ces guides peuvent se révéler utiles pour indiquer la position approximative de la lame dans la pièce à usiner ou la prédire.

RÉGLAGES SPÉCIALISÉS

Votre machine Evolution comporte de nombreux réglages et composants de précision qui ont, pour la plupart, été réglés et ajustés en usine afin de maintenir une précision sur le long terme.

L'entretien et le réglage de ces composants ou de ces réglages ne seront probablement jamais

nécessaires. Si l'entretien ou le réglage (après une utilisation considérable) est jugé nécessaire, Evolution vous conseille de contacter l'assistance technique téléphonique pour être conseillé et guidé de manière appropriée.

Remarque : Certaines procédures de réglage ne sont possibles qu'en étant en possession de certaines connaissances et/ou de certains équipements spécialisés.

(17) CONSEILS DE COUPE GÉNÉRAUX

AVERTISSEMENT : L'opérateur doit toujours être conscient de la position et de l'acheminement du câble d'alimentation. Le câble doit être acheminé de façon à ce que la lame ne puisse jamais entrer en contact avec le câble d'alimentation.

Le câble ne doit pas engendrer de risque de chute (ou tout autre risque) pour l'opérateur ou toute autre personne à proximité.

- Ne forcez pas la machine.
- Laissez la vitesse de la lame effectuer le travail. L'exercice d'une pression excessive sur la machine n'améliorera pas la performance de coupe et la durée de vie de la lame sera écourtée.
- Lorsque vous utilisez le guide parallèle, assurez-vous qu'il soit bien parallèle à la lame. La lame et/ou le moteur risqueraient d'être endommagés si la machine était utilisée avec un guide parallèle mal réglé.
- Placez le bord avant de la plaque en acier en l'alignant sur la pièce à usiner. Avant de démarrer le moteur, assurez-vous que la lame n'est pas en contact avec la pièce à usiner.
- Au départ d'une découpe, faites attention à introduire la lame doucement dans le matériau pour éviter d'endommager les dents de la lame.

Remarque : Deux (2) lignes de guides de coupe se situent à l'avant de la plaque en acier de la machine CCSL (pour les angles de biseau de 0° et 45° uniquement).

- Utilisez vos deux mains pour faire avancer la scie dans la pièce à usiner.
- Appliquez une pression douce et constante pour déplacer la scie le long de la pièce à usiner.

Remarque : Toutes les machines de série CCS sont équipées d'un carter de lame inférieur

EN

ES

DE

FR

IT

PL

PT

RO

automatique disposant d'un bord d'attaque avant spécialement façonné. Ce dispositif permet au carter de lame de se rétracter facilement et doucement à mesure que la lame pénètre dans la pièce à usiner. Lorsque la lame sort de la pièce à usiner, le carter de lame inférieur retourne automatiquement dans sa position initiale pour recouvrir intégralement la lame.

Remarque : Dans certains cas, comme lors d'une coupe en plongée dans un sol ou un mur par exemple, il peut être avantageux de rétracter le carter de lame inférieur manuellement.

Le carter de lame inférieur comporte un levier à commande par le pouce. En prenant les précautions nécessaires, un opérateur compétent peut rétracter le carter de lame manuellement, partiellement ou totalement, afin de réaliser des coupes en plongée.

AVERTISSEMENT : Si vous décidez de rétracter le carter de lame manuellement, soyez extrêmement vigilant et assurez-vous que les mains et les doigts de l'opérateur ne touchent aucune partie de la lame de la machine.

Après une découpe :

- Relâchez l'interrupteur à gâchette MARCHE/ARRÊT.
- Attendez que la lame s'arrête complètement.
- Sortez la machine de la pièce à usiner en laissant le carter de lame inférieur revenir à sa position initiale pour recouvrir la lame.

AVERTISSEMENT : Si le moteur s'arrête ou cale lors d'une découpe, relâchez l'interrupteur à gâchette immédiatement. Débranchez la machine de l'alimentation électrique et retirez la machine de la pièce à usiner. Recherchez la cause du problème et réglez-le si possible. N'essayez de redémarrer le moteur qu'une fois que vous êtes absolument certain de la sécurité d'une telle opération.

PORT D'ÉJECTION DU MATÉRIAU DÉCOUPÉ

AVERTISSEMENT : N'utilisez ni le sac à poussière ni l'adaptateur du port à poussières lors de la

découpe de matériaux métalliques, y compris le bois contenant des clous.

(18) ENTRETIEN ET RÉGLAGES

La position à 0° (lame à la verticale) peut être réglée.

AVERTISSEMENT : La machine doit être débranchée de l'alimentation électrique avant de réaliser cette procédure.

Pour contrôler la position à 0° :

- Positionnez la lame sur 0° avec le mécanisme d'inclinaison contre sa butée.
- Contrôlez la position de la lame sur la plaque en acier à l'aide d'une équerre d'ingénieur de précision (non fournie). Faites attention à ne pas toucher le bout des dents en TCT. L'angle entre la lame et la plaque en acier doit être d'exactly 90°.

Remarque : Faites pivoter le carter de lame inférieur (manuellement) vers le haut, dans le carter de lame supérieur. L'équerre d'ingénieur restera alors précisément positionnée afin de faciliter le processus de vérification. Si vous avez besoin d'effectuer des réglages :

R165CCSL et 185CCS

Faites tourner le vis de réglage (**Fig. 31**) dans le sens des aiguilles d'une montre ou dans le sens inverse des aiguilles d'une montre à l'aide d'une clé hexagonale de 4 mm (non fournie) jusqu'à ce que la lame soit à exactement 90° de la plaque en acier.

R185CCSX et 185CCSX+

Faites tourner les vis de réglage (**Fig. 32**) dans le sens des aiguilles d'une montre ou dans le sens inverse des aiguilles d'une montre à l'aide d'une clé hexagonale de 3 mm (non fournie) jusqu'à ce que la lame soit à exactement 90° de la plaque en acier.

Vérification de la position à 45°

(R185CCSX et 185CCSX+) :

- Positionnez la lame sur 45° avec le mécanisme d'inclinaison contre sa butée.
- Contrôlez la position de la lame sur la plaque en acier à l'aide d'une équerre d'ingénieur de

précision (non fournie). Faites attention à ne pas toucher le bout des dents en TCT. L'angle entre la lame et la plaque en acier doit être exactement de 45°.

Faites tourner les vis de réglage (**Fig. 33**) dans le sens des aiguilles d'une montre ou dans le sens inverse des aiguilles d'une montre à l'aide d'une clé hexagonale de 3 mm (non fournie) jusqu'à ce que la lame soit à exactement 45° de la plaque en acier.

(19) VÉRIFICATION ET REMPLACEMENT DES BALAIS EN CARBONE

ATTENTION : Débranchez la machine de sa source de courant avant d'essayer de vérifier ou de remplacer les balais en carbone.

Remarque : Remplacez les deux balais en carbone si l'un d'entre eux mesure moins de 6 mm de long, ou si le ressort ou le fil est endommagé ou brûlé.

Pour retirer les balais :

- Dévissez les bouchons en plastique à l'arrière du carter moteur. (**Fig. 34**) Faites attention car les bouchons sont vissés sur ressorts.
- Retirez les balais et leurs ressorts.
- S'il faut les changer, remplacez les balais et remettez les bouchons.

Remarque : Les balais usés mais utilisables peuvent être remis en place, tant qu'ils sont placés dans la même position, et insérés dans le même sens qu'avant leur retrait de la machine.

- Mettez le moteur de la machine en marche pendant environ 5 minutes sans charge. Cette étape permet aux nouveaux balais de « s'intégrer » et de vérifier que le moteur fonctionne correctement.
- Vous risquez d'observer des étincelles jusqu'à l'intégration complète des balais.

(20) ENTRETIEN GÉNÉRAL ET NETTOYAGE

Remarque : Tout entretien doit être effectué avec la machine éteinte et débranchée de la source d'alimentation.

- Vérifiez régulièrement que tous les éléments de sécurité et les protections fonctionnent correctement. Utilisez cette machine uniquement si tous les carters et dispositifs de sécurité sont opérationnels.
- Tous les roulements du moteur de cette machine sont lubrifiés à vie. Aucune autre lubrification n'est requise.

Nettoyez les pièces en plastique de la machine à l'aide d'un chiffon propre légèrement humide. N'utilisez pas de solvants ou de produits similaires qui pourraient endommager les parties en plastique.

Retirez la poussière ou tout autre contaminant du capuchon de la lentille du module LED.

AVERTISSEMENT : Ne tentez pas de nettoyer la machine en insérant des objets pointus dans les ouvertures de son carter, etc. Les événements de la machine doivent être régulièrement nettoyés à l'aide d'air sec comprimé.

Remarque : L'opérateur doit porter tous les EPI nécessaires lors du nettoyage à l'air sec comprimé.

(21) PROTECTION DE L'ENVIRONNEMENT

Les déchets électriques et les produits mécaniques ne doivent pas être jetés avec les ordures ménagères. Veuillez recycler lorsque les infrastructures le permettent. Contactez votre municipalité ou votre revendeur pour des conseils sur le recyclage.



EN

ES

DE

FR

IT

PL

PT

RO

DÉCLARATION CE DE CONFORMITÉ



Le fabricant de ce produit couvert par cette déclaration est :

UK: Evolution Power Tools Ltd, Venture One, Longacre Close, Holbrook Industrial Estate, Sheffield, S20 3FR.
FR: Evolution Power Tools SAS, 61 Avenue Lafontaine, 33560, Carbon-Blanc, Bordeaux, France.

Le fabricant déclare par les présentes que la machine, comme décrite dans la présente déclaration, satisfait à l'ensemble des dispositions pertinentes de la directive machines et aux autres directives appropriées comme listées ci-après.

Le fabricant déclare en outre que la machine, comme décrite dans la présente déclaration, satisfait aux dispositions pertinentes des exigences essentielles de santé et de sécurité.

Les directives couvertes par cette déclaration sont comme listées ci-après :

2006/42/CE.	Directive liée à la machine.
2014/30/UE.	Directive relative à la compatibilité électromagnétique.
2011/65/EU. & 2015/863/EU.	Limitation de l'utilisation de certaines substances dangereuses dans les équipements électriques (directive RoHS).
2012/19/UE.	Directive relative aux déchets d'équipements électriques et électroniques (DEEE).

Conforme aux dispositions prévues par les documents suivants :

**EN 62841-1: 2015 • EN 62841-2-5: 2014 • EN 55014-1: 2017 • EN 55014-2: 2015
 EN 61000-3-2: 2014 • EN 61000-3-3: 2013 (110V models) • EN 61000-3-11: 2000 (220-240V models) • IEC 62321-1.0: 2008**

Détails du produit

Description :	Scie circulaire 165 mm (6-1/2 pouces) R165CCSL
N° du modèle :	026-0001 / 026-0002 / 026-0003
Description :	Scie circulaire 185 mm (7-1/4 pouces) R185CCS
N° du modèle :	027-0001C / 027-0002C / 027-0003C
Description :	Scie circulaire 185 mm (7-1/4 pouces) R185CCSX
N° du modèle :	027-0001 / 027-0002 / 027-0003
Description :	Scie circulaire 185 mm (7-1/4 pouces) R185CCSX+
N° du modèle :	027-0001A / 027-0002A / 027-0003A
Nom du fabricant :	EVOLUTION POWER TOOLS LIMITED
Tensions :	110 V / 220-240 V ~ 50 Hz
Entrée :	R165CCSL - 1 200 W R185CCS, R185CCSX & R185CCSX+ - 1 600 W

La documentation technique prouvant que le produit est conforme aux exigences de la directive peut être consultée auprès des autorités de contrôle. Elle permet de vérifier que notre dossier technique contient tous les documents répertoriés ci-dessus et qu'ils sont la norme pour le produit, comme détaillé ci-dessus.

Nom et adresse du détenteur de la documentation technique.

Signature :  Nom : Barry Bloomer
 Date : 01/06/2018 Directeur de la chaîne logistique et de l'approvisionnement

UK: Evolution Power Tools Ltd, Venture One, Longacre Close, Holbrook Industrial Estate, Sheffield, S20 3FR.
FR: Evolution Power Tools SAS, 61 Avenue Lafontaine, 33560, Carbon-Blanc, Bordeaux, France.

Notes

EN

ES

DE

FR

IT

PL

PT

RO

ÍNDICE

INTRODUCCIÓN			
Garantía	Página 69	Luz LED	Página 95
Especificaciones	Página 70	Ajustes especializados	Página 96
Elementos suministrados	Página 70	Consejos generales para el corte	Página 96
Vibraciones	Página 70	Puerto de expulsión del material de corte	Página 97
Etiquetas y símbolos	Página 70		
Uso previsto de esta herramienta eléctrica	Página 73	MANTENIMIENTO Y AJUSTES	Página 97
Uso prohibido de esta herramienta eléctrica	Página 73	Comprobación y sustitución de escobillas de carbono	Página 98
		Mantenimiento general y limpieza	Página 98
		Protección medioambiental	Página 98
PRECAUCIONES DE SEGURIDAD		DECLARACIÓN DE CONFORMIDAD	Página 99
Seguridad eléctrica	Página 73		
Uso en exteriores	Página 73		
Instrucciones generales de seguridad de la herramienta eléctrica	Página 74		
Consejos para su salud	Página 76		
Instrucciones de seguridad para todas las sierras	Página 76		
Instrucciones de seguridad adicionales para sierras circulares	Página 77		
PRIMEROS PASOS			
Desembalaje	Página 78		
Descripción general de la máquina	Página 79		
Preparación	Página 90		
Instalar o desmontar una hoja	Página 90		
Carril guía paralelo	Página 91		
Ajuste de la profundidad de corte	Página 91		
Ajuste del ángulo de corte	Página 91		
Consejos de uso (comprobaciones antes del uso)	Página 92		
EPI	Página 92		
El gatillo interruptor On/Off	Página 92		
Vías de corte	Página 93		
CONSEJOS ADICIONALES			
Puerto de recogida de residuos	Página 95		

(1.2) **INTRODUCCIÓN IMPORTANTE**

Por favor, lea estas instrucciones de uso y seguridad atentamente y por completo.

Por su propia seguridad, si no está seguro de algún aspecto sobre el uso de este equipo contacte con el servicio de asistencia técnica. Puede encontrar el número de teléfono en la página web de Evolution Power Tools. Nuestra organización dispone de varios teléfonos de asistencia en todo el mundo. Su proveedor también puede ofrecerle asistencia técnica.

(1.3) **CONTACTO:**

Web: www.evolutionpowertools.com

Reino Unido/UE/AUS: customer.services@evolutionpowertools.com

EE.UU.: evolutioninfo@evolutionpowertools.com

(1.4) **GARANTÍA**

Enhorabuena por adquirir una máquina de Evolution Power Tools. Por favor, complete el registro de su producto en línea como se explica en el formulario de registro que acompaña a esta máquina. Esto le permitirá validar el periodo de garantía de su máquina a través de la página web de Evolution al introducir sus datos y, así, disponer de un servicio rápido si fuera necesario.

Le estamos sinceramente agradecidos por escoger uno de nuestros productos Evolution Power Tools.

ESPECIFICACIONES

	EE.UU.			
CARACTERÍSTICAS TÉCNICAS DE LA MÁQUINA	R165CCSL	R185CCS	R185CCSX	R185CCSX+
N.º de modelo:	026-0004	027-0004	027-0004C	027-0004A
Motor UE (220-240 V ~ 50 Hz)				
Motor Reino Unido(110 V ~ 50 Hz)				
Motor EE.UU. (120 V ~ 60 Hz)	10A	15 A	15 A	15 A
Velocidad sin carga (220-240 v)				
Velocidad sin carga (110 v & 120 v)	3900 min ⁻¹ / rpm	3700 min ⁻¹ / rpm	3700 min ⁻¹ / rpm	3700 min ⁻¹ / rpm
Peso	9,5 lb	10,8 lb	11,2 lb	11,2 lb
Máx. ángulo de bisel de la cuchilla	45°	60°	45°	45°
Longitud del cable de corriente	10 ft	13 ft	13 ft	13 ft
Tipo de base de la sierra circular	Pressed Steel	Aluminio fundido	Aluminio fundido	Aluminio fundido
Compatible con la vía de corte			✓	✓

CAPACIDADES DE CORTE	R165CCSL	R185CCS	R185CCSX	R185CCSX+
Placa de acero dulce (Grosor máximo)	1/8"	1/4"	1/4"	1/4"
Sección de la caja de acero dulce (Grosor máximo de la pared)	1/8"	1/4"	1/4"	1/4"
Grosor de corte máximo (0°)	2-3/32"	2-1/2"	2-1/2" (2-5/16" anchura/vía)	2-1/2" (2-5/16" anchura/vía)
Grosor de corte máximo (45°)	1-11/32"	1-9/16"	1-13/16" (1-5/8" anchura/vía)	1-13/16" (1-5/8" anchura/vía)
Grosor de corte máximo (60°)		1"		

ESPECIFICACIONES DE LA HOJA	R165CCSL	R185CCS	R185CCSX	R185CCSX+
Diámetro de la hoja	Ø 6-1/2"	Ø 7-1/4"	Ø 7-1/4"	Ø 7-1/4"
Número de dientes	14	20	16	20
Diámetro de perforación	25/32"	25/32"	25/32"	25/32"
Ranura	1,7mm	1,7 mm	1,7 mm	1,7 mm

DATOS DE RUIDO Y VIBRACIÓN	R165CCSL	R185CCS	R185CCSX	R185CCSX+
Nivel de presión acústica L _{pa}	92,4dB(A) K=3dB(A)	94,3dB(A) K=3 dB(A)	94,3dB(A) K=3 dB(A)	94,3dB(A) K=3 dB(A)
Nivel de potencia acústica L _{wa}	103,4dB(A) K=3dB(A)	105,3dB(A) K=3 dB(A)	105,3dB(A) K=3 dB(A)	105,3dB(A) K=3 dB(A)
Vibración mango principal (serrado de madera)	a _{hw} = 2,747m/s ²	a _{hw} = 3,347m/s ²	a _{hw} = 3,347m/s ²	a _{hw} = 3,347m/s ²
Vibración mango adicional (serrado de madera)	a _{hw} = 2,619m/s ²	a _{hw} = 3,119m/s ²	a _{hw} = 3,119m/s ²	a _{hw} = 3,119m/s ²
Vibración mango principal (serrado de metal)	a _{hM} = 2,302m/s ²	a _{hM} = 3,572m/s ²	a _{hM} = 3,572m/s ²	a _{hM} = 3,572m/s ²
Vibración mango adicional (serrado de metal)	a _{hM} = 2,239m/s ²	a _{hM} = 3,241m/s ²	a _{hM} = 3,241m/s ²	a _{hM} = 3,241m/s ²
Uncertainty K	1,5m/s ²	1,5m/s ²	1,5m/s ²	1,5m/s ²

ELEMENTOS SUMINISTRADOS	R165CCSL	R185CCS	R185CCSX	R185CCSX+
Hoja TCT multimaterial	✓	✓	✓	✓
Llave hexagonal (cambio de hoja)	✓	✓	✓	✓
Carril guía paralelo	✓	✓	✓	✓
Adaptador del puerto de polvo	✓	✓	✓	✓
Conector de la manguera de polvo	✓	✓	✓	✓
Estuche de transporte				✓
Vía de corte (340 mm x3)			✓	
Barra de conector y tornillos (x4)			✓	
Luz LED		✓		✓

Reino Unido / UE / AUS			
R165CCSL	R185CCS	R185CCSX	R185CCSX+
026-0001 / 026-0002 / 026-0003	027-0001C / 027-0002C / 027-0003C	027-0001 / 027-0002 / 027-0003	027-0001A / 027-0002A / 027-0003A
1200 W	1600 W	1600 W	1600 W
1200 W	1600 W	1600 W	1600 W
3700 min ⁻¹ / rpm	3900 min ⁻¹ / rpm	3900 min ⁻¹ / rpm	3900 min ⁻¹ / rpm
3700 min ⁻¹ / rpm	3700 min ⁻¹ / rpm	3700 min ⁻¹ / rpm	3700 min ⁻¹ / rpm
4,3 kg	4,9 kg	5,1 kg	5,1 kg
45°	60°	45°	45°
3 m	3 m	3 m	4 m
Acero prensado	Aluminio fundido	Aluminio fundido	Aluminio fundido
		✓	✓

R165CCSL	R185CCS	R185CCSX	R185CCSX+
3 mm	6 mm	3 mm	6 mm
3 mm	6 mm	3 mm	6 mm
53 mm	64 mm	64 mm (59 mm con vía)	64 mm (59 mm con vía)
34 mm	40 mm	47 mm (42 mm con vía)	47 mm (42 mm con vía)
	24 mm		

R165CCSL	R185CCS	R185CCSX	R185CCSX+
Ø 165 mm	Ø 185 mm	Ø 185 mm	Ø 185 mm
14	20	16	20
20 mm	20 mm	20 mm	20 mm
1,7 mm	1,7 mm	1,7 mm	1,7 mm

R165CCSL	R185CCS	R185CCSX	R185CCSX+
92,4dB(A) K:3dB(A)	94,3dB(A) K=3 dB(A)	94,3dB(A) K=3 dB(A)	94,3dB(A) K=3 dB(A)
103,4dB(A) K:3dB(A)	105,3dB(A) K=3 dB(A)	105,3dB(A) K=3 dB(A)	105,3dB(A) K=3 dB(A)
$a_{h,w} = 2,747m/s^2$	$a_{h,w} = 3,347m/s^2$	$a_{h,w} = 3,347m/s^2$	$a_{h,w} = 3,347m/s^2$
$a_{h,w} = 2,619m/s^2$	$a_{h,w} = 3,119m/s^2$	$a_{h,w} = 3,119m/s^2$	$a_{h,w} = 3,119m/s^2$
$a_{h,M} = 2,302m/s^2$	$a_{h,M} = 3,572m/s^2$	$a_{h,M} = 3,572m/s^2$	$a_{h,M} = 3,572m/s^2$
$a_{h,M} = 2,239m/s^2$	$a_{h,M} = 3,241m/s^2$	$a_{h,M} = 3,241m/s^2$	$a_{h,M} = 3,241m/s^2$
1,5m/s ²	1,5m/s ²	1,5m/s ²	1,5m/s ²

R165CCSL	R185CCS	R185CCSX	R185CCSX+
✓	✓	✓	✓
✓	✓	✓	✓
✓	✓	✓	✓
✓	✓	✓	✓
✓	✓	✓	✓
		✓	✓
		✓	
			✓

VIBRACIONES

(1.5) **Nota:** La medición de la vibración se hizo en condiciones normales de acuerdo con la norma EN 62841-1: 2015, EN 62841-2-5: 2014

Advertencia: ¡Utilice protección auditiva!

El valor total de vibración citado se ha medido según el método normal de examen y puede usarse para comparar una herramienta con otra. El valor total de vibración citado también puede usarse en la evaluación preliminar de la exposición humana.

(1.6) **ADVERTENCIA:** Al utilizar esta máquina, el operador puede estar expuesto a altos niveles de vibración transmitidos a la mano y al brazo. Es posible que el operador pueda desarrollar la «enfermedad de los dedos blancos» debido a la vibración (síndrome de Raynaud). Esta enfermedad puede reducir la sensibilidad de la mano a la temperatura, así como producir entumecimiento general. Los usuarios que utilicen esta máquina de manera prolongada o regular deben vigilar de cerca el estado de sus manos y dedos. Si aparece alguno de los síntomas, busque atención médica inmediata.

- La medición y la evaluación de la exposición humana a las vibraciones transmitidas por la mano en el lugar de trabajo se indican en: EN 62841-1 y EN 62841-2-5
- Muchos factores pueden influir en el nivel de vibración real durante el funcionamiento, p. ej. el estado y la orientación de las superficies de trabajo, y el tipo y el estado de la máquina que se está usando. Antes de cada uso, se deben evaluar dichos factores y adoptar prácticas de trabajo adecuadas donde sea posible. La gestión de estos factores puede ayudar a reducir los efectos de la vibración:

Manipulación

- Manipule la máquina con cuidado, permitiendo que esta haga el trabajo.
- Evite un esfuerzo físico excesivo en cualquiera de los controles de las máquinas.
- Tenga en cuenta su seguridad y estabilidad, así como la orientación de la máquina durante su uso.

Superficie de trabajo

- Tenga en cuenta el material de la superficie de trabajo, su estado, densidad, resistencia, rigidez y orientación.

ADVERTENCIA: la emisión de vibraciones al usar la herramienta eléctrica puede variar del valor total citado dependiendo de la manera en la que se use la herramienta.

La necesidad de identificar medidas de seguridad y de proteger al operador se basa en una estimación de la exposición en las condiciones reales de uso (teniendo en cuenta todas las partes del ciclo operativo, como las veces que se desconecta la máquina, cuándo está en reposo, además del tiempo que está funcionando de forma continuada).

(1.7) ETIQUETAS Y SÍMBOLOS

ADVERTENCIA: no utilice la máquina si faltan la advertencia y/o las etiquetas de instrucciones, o si están dañadas. Póngase en contacto con Evolution Power Tools para sustituir las etiquetas.

Nota: todos o algunos de los siguientes símbolos pueden aparecer en el manual o en el producto.

(1.8)

Símbolo	Descripción
V	Voltios
A	Amperios
HZ	Hercios
Min ⁻¹ / RPM	Velocidad
~	Corriente alterna
n ₀	Velocidad sin carga
	Utilice gafas protectoras
	Utilice protección auditiva
	Utilice protección contra el polvo
	Lea las instrucciones
	Doble aislamiento
	Certificado CE
	Certificado ETL
	Residuos de Aparatos Eléctricos y Electrónicos
	Triman: recogida y reciclado de residuos
	Advertencia
	(RCM) Marca de cumplimiento de la normativa para aparatos eléctricos y electrónicos. Norma de Australia/ Nueva Zelanda

(1.9) USO PREVISTO DE ESTA HERRAMIENTA ELÉCTRICA

ADVERTENCIA: Este producto es una sierra circular de uso manual y ha sido diseñada para usarse con hojas especiales de Evolution. Use solamente accesorios diseñados para el uso de esta máquina y/o aquellos recomendados específicamente por Evolution Power Tools Ltd.

Equipada con una hoja adecuada, esta máquina puede cortar:

Acero dulce, aluminio, madera

Nota: el corte de acero galvanizado puede reducir la duración de la hoja.

(1.10) USO PROHIBIDO DE ESTA HERRAMIENTA ELÉCTRICA

ADVERTENCIA: Este producto es una sierra circular de uso manual y debe usarse solo como tal. No debe ser modificada de ninguna manera ni usada para alimentar ningún otro equipo, tampoco debe llevar ningún otro accesorio que no se nombre en el manual de instrucciones.

(1.11) **ADVERTENCIA:** Esta máquina no está diseñada para ser utilizada por personas (niños incluidos) con discapacidad psíquica, sensorial o mental, o con falta de experiencia y conocimiento, a no ser que hayan sido supervisadas o instruidas en el uso seguro de la máquina por una persona responsable de su seguridad y competente en el uso seguro de esta.

Debe supervisarse a los niños para asegurarse de que no tienen acceso a la máquina ni pueden jugar con ella.

(1.12) SEGURIDAD ELÉCTRICA

Esta máquina está equipada con el enchufe moldeado y el cable de red correctos para el mercado designado. Si el cable de suministro se daña, el fabricante o su agente de servicios debe reemplazarlo por un cable o ensamblaje especial.

(1.13) USO EN EXTERIORES

ADVERTENCIA: Para su protección, si va a usar esta herramienta en exteriores no debe exponerla a la lluvia o usarla en lugares

húmedos. No coloque la herramienta en superficies húmedas. Si es posible, use un banco de trabajo limpio y seco. Para obtener una mayor protección, utilice un dispositivo de corriente residual que interrumpa el suministro si la corriente de fuga a tierra es superior a 30 mA durante 30 ms. Revise siempre el funcionamiento del dispositivo de corriente residual antes de usar la máquina.

Si es necesario un alargador, debe ser de un tipo adecuado para exteriores y etiquetado para tal fin. Se deben seguir las instrucciones de los fabricantes al utilizar un alargador.

(2.1) INSTRUCCIONES GENERALES DE SEGURIDAD

(Estas instrucciones generales de seguridad para herramientas eléctricas son las que se especifican en las normas EN 62841-1: 2015).

ADVERTENCIA: lea todas las advertencias e instrucciones de seguridad. El incumplimiento de las advertencias e instrucciones puede provocar una descarga eléctrica, incendios y/o lesiones graves. Guarde todas las advertencias e instrucciones para poder consultarlas en el futuro. El término "herramienta eléctrica" de las advertencias se refiere a la herramienta alimentada por la red de alimentación (con cable) o con baterías (inalámbrica).

(2.2) 1) Advertencias generales de seguridad de la herramienta eléctrica [seguridad en el área de trabajo]

a) Mantenga la zona de trabajo limpia y bien iluminada. Se podrían producir accidentes en zonas desordenadas u oscuras.

b) No utilice las herramientas eléctricas en atmósferas explosivas, como en presencia de líquidos inflamables, gases o polvo. Las herramientas eléctricas producen chispas que pueden incendiar el polvo o los gases.

c) Mantenga a los niños y transeúntes alejados cuando utilice una herramienta eléctrica. Las distracciones pueden hacerle perder el control.

(2.3) 2) Advertencias generales de seguridad de la herramienta eléctrica [Seguridad eléctrica]

a) Los enchufes de la herramienta eléctrica deben corresponderse con las tomas de corriente. No modifique el enchufe de ningún modo. No utilice adaptadores de enchufe con las herramientas eléctricas conectadas a tierra.

Si las tomas de corriente y los enchufes respectivos no se modifican, se reduce el riesgo de descarga eléctrica.

b) Evite el contacto corporal con superficies conectadas a tierra tales como tuberías, radiadores, estufas y refrigeradores. El riesgo de descarga eléctrica aumenta si su cuerpo está conectado a tierra.

c) No exponga las herramientas eléctricas a la lluvia o a la humedad. La entrada de agua en una herramienta eléctrica aumentará el riesgo de descarga eléctrica.

d) No haga mal uso del cable. Nunca use el cable para transportar, tirar o desenchar la herramienta eléctrica. Mantenga el cable lejos del calor, el aceite, las esquinas cortantes o piezas móviles. Los cables dañados o enredados aumentan el riesgo de descarga eléctrica.

e) Cuando trabaje con una herramienta eléctrica en exteriores, use un alargador adecuado para uso en exteriores. El uso de un cable adecuado para uso en exteriores reduce el riesgo de descarga eléctrica.

f) Si usa una herramienta eléctrica en un lugar húmedo, es necesario utilizar una toma de corriente residual (RCD) protegida.

El uso de un dispositivo de corriente residual reduce el riesgo de descarga eléctrica.

(2.4) 3) Advertencias generales de seguridad de la herramienta eléctrica [Seguridad personal].

a) Manténgase alerta, tenga cuidado con lo que hace y use el sentido común al utilizar una herramienta eléctrica. No utilice una herramienta eléctrica cuando esté cansado o bajo la influencia de drogas, alcohol o medicación. Un momento de distracción mientras utiliza herramientas eléctricas puede ocasionar lesiones personales graves.

b) Utilice el equipo de protección individual.

Utilice siempre protección para los ojos. El uso del equipo de seguridad, como máscaras para el polvo, calzado antideslizante, casco o protección

auditiva para las condiciones adecuadas reducirá las lesiones personales.

c) Evite el encendido accidental. Asegúrese de que el interruptor esté en la posición off antes de conectar a la fuente de alimentación y/o a las baterías, o de coger o transportar la herramienta. Transportar herramientas eléctricas con el dedo sobre el interruptor o enchufar herramientas eléctricas con el interruptor encendido puede propiciar accidentes.

d) Quite las llaves de ajuste o llaves inglesas del perno de la hoja antes de encender la herramienta eléctrica. Una llave, como una llave inglesa, colocada en una pieza giratoria de la herramienta eléctrica puede ocasionar lesiones personales.

e) No se extralimite. Mantenga la postura y el equilibrio en todo momento. Esto permitirá un mejor control de la herramienta eléctrica en situaciones inesperadas.

f) Vístase de manera adecuada. No use ropa suelta ni joyas. Mantenga el pelo, la ropa y los guantes alejados de las piezas móviles. Las joyas, la ropa holgada y el cabello largo pueden quedar atrapados en las piezas móviles.

g) Si se proporcionan dispositivos para la conexión de unidades de extracción y recogida de polvo, asegúrese de que están conectadas y de que se usan de forma adecuada. El uso de estos dispositivos puede reducir los riesgos derivados del polvo.

h) El hecho de que esté familiarizado gracias al uso frecuente de las herramientas no debería hacer que se vuelva complaciente ni que ignore los principios de seguridad de la herramienta. Una acción negligente puede provocar lesiones graves en una milésima de segundo.

(2.5) 4) Advertencias generales de seguridad de la herramienta eléctrica [Uso y cuidado de la herramienta eléctrica].

a) No fuerce la herramienta eléctrica. Utilice la herramienta correcta para su aplicación. La herramienta correcta realizará el trabajo de una forma más precisa y segura al ritmo para el que ha sido diseñada.

b) No utilice la herramienta eléctrica si el interruptor no se enciende ni se apaga. Una herramienta eléctrica que no se pueda controlar con el interruptor es peligrosa y se debe reparar.

c) Desconecte la herramienta eléctrica de la fuente de alimentación de la herramienta eléctrica antes de efectuar ajustes, cambiar accesorios o almacenar las herramientas eléctricas. Este tipo de medidas de seguridad preventivas reducen el riesgo de que la herramienta eléctrica se inicie accidentalmente.

d) Guarde las herramientas eléctricas fuera del alcance de los niños y no permita que personas que no estén familiarizadas con la herramienta eléctrica o estas instrucciones la usen. Las herramientas eléctricas son peligrosas en manos de personas inexpertas.

e) Realice un mantenimiento de las herramientas eléctricas. Verifique la alineación y fijación de las piezas móviles, la rotura de las piezas móviles y cualquier otra condición que pueda afectar al funcionamiento de las herramientas eléctricas. Si está dañada, repare la herramienta eléctrica antes de usarla. Muchos accidentes se producen debido a un mantenimiento deficiente de las herramientas eléctricas.

f) Mantenga las herramientas de corte limpias y afiladas.

Las herramientas de corte con buen mantenimiento y bordes de corte afilados son menos propensas a trabarse y son más fáciles de controlar.

g) Use la herramienta eléctrica, accesorios y útiles, etc. de acuerdo con estas instrucciones y teniendo en cuenta las condiciones de funcionamiento y el trabajo que se va a realizar. El uso de la herramienta eléctrica para operaciones diferentes a las previstas podría provocar una situación peligrosa.

h) Mantenga los mangos y las superficies de agarre secos y libres de aceite y grasa. Los mangos y superficies de agarre resbaladizos no permiten un manejo y control seguros de la herramienta en situaciones inesperadas.

(2.6) 5) Advertencias generales de seguridad de la herramienta eléctrica

Advertencias de seguridad [Servicio]

a) Lleve la herramienta eléctrica a reparar a un experto cualificado que utilice solo piezas de repuesto originales. Esto garantizará que se mantenga la seguridad de la herramienta eléctrica correctamente.

(2.7) CONSEJOS PARA SU SALUD

ADVERTENCIA: al utilizar esta máquina se pueden producir partículas de polvo. En ocasiones, según los materiales con los que trabaje, este polvo puede ser especialmente perjudicial. Si sospecha que la pintura de la superficie del material que desea cortar contiene plomo, busque ayuda profesional. No intente quitar pintura a base de plomo. Solamente un profesional debería hacerlo. Una vez que el polvo se ha depositado en una superficie, el contacto de la mano con la boca puede llevar a la ingestión de plomo. Incluso la exposición a niveles bajos de plomo puede causar daños irreversibles en el cerebro y el sistema nervioso. Los niños y los neonatos son especialmente vulnerables. Se recomienda que considere el riesgo asociado a los materiales con los que trabaja para reducir el riesgo de exposición.

Algunos materiales pueden producir polvo dañino para su salud. Recomendamos el uso de mascarillas reguladas con filtros reemplazables cuando use esta máquina.

Siempre debe:

- Trabajar en una zona bien ventilada.
- Trabajar con un equipo de seguridad aprobado, como mascarillas para el polvo que hayan sido diseñadas especialmente para filtrar partículas microscópicas.

(2.8) ADVERTENCIA: el manejo de cualquier herramienta eléctrica puede provocar que se lancen objetos externos contra los ojos que pueden ocasionar daños graves en los mismos. Antes de empezar a utilizar una herramienta eléctrica, póngase siempre gafas con protección lateral o una máscara que cubra toda la cara cuando sea necesario.

INSTRUCCIONES DE SEGURIDAD PARA TODAS LAS SIERRAS

[Procedimientos de corte]

- a) PELIGRO: Mantenga las manos lejos de la zona de corte y de la hoja. Mantenga la otra mano en el mango adicional o en la carcasa del motor.** Si sujeta la sierra con las dos manos, no se cortará con la hoja.
- b) No toque por debajo de la pieza de trabajo.**

La protección no puede protegerlo de la hoja bajo la pieza de trabajo.

c) Ajuste la profundidad del corte al grosor de la pieza de trabajo. Debajo de la pieza de trabajo debe ser visible menos de un diente de la hoja.

d) No sostenga nunca la pieza de trabajo en la mano ni sobre las piernas cuando corta. Asegure la pieza de trabajo a una plataforma estable. Es importante apoyar la pieza de forma adecuada para minimizar la exposición del cuerpo, las posibilidades de que la hoja se atasque o la pérdida de control.

e) Sostenga la herramienta eléctrica por superficies de adherencia aisladas cuando realice una operación en la que la herramienta de corte pueda entrar en contacto con cableado no visible o su propio cable. El contacto con un cable «con corriente» también hará que las partes metálicas expuestas de la herramienta eléctrica estén sometidas a «corriente» y podrían electrocutar al operario.

f) Cuando corte, use siempre un tope-guía o un carril guía. Esto mejora la precisión del corte y reduce la posibilidad de que la hoja se atasque.

g) Use siempre hojas con el tamaño y forma del orificio del eje correctos (diamante frente a circular). Las hojas que no encajan con el equipo de montaje de la sierra funcionan de forma descentrada, provocando pérdida de control.

h) No utilice arandelas o tornillos dañados o inapropiados. Los tornillos y arandelas están especialmente diseñados para su sierra, para conseguir un rendimiento y seguridad óptimos.

(3.2) [Causas de contragolpes y advertencias relacionadas]

Un contragolpe es una reacción inesperada de una hoja de sierra pillada, atascada o mal alineada que provoca que la sierra se dispare de forma descontrolada de la pieza de trabajo hacia el operario.

Si la hoja está atascada o fijada firmemente al penetrar el corte, la hoja se bloquea y la reacción del motor mueve la unidad rápidamente hacia atrás en dirección al operario.

Si la hoja se tuerce o se desajusta durante el corte, los dientes del borde posterior de la hoja

pueden penetrar en la superficie superior de la madera, provocando que la hoja se salga de la ranura y se precipite hacia el operario.

(3.3) El contragolpe es el resultado de un mal uso de la sierra y/o de procedimientos o condiciones de un uso inadecuado, y puede evitarse tomando las debidas precauciones que se indican a continuación.

a) Mantenga una sujeción firme con ambas manos en la sierra y posicione los brazos para resistir la fuerza del contragolpe. Colóquese a un lado de la hoja; no se posicione en la trayectoria de la hoja. El contragolpe puede provocar que la sierra salga disparada hacia atrás, pero la fuerza del contragolpe puede controlarse por el operario si se toman las medidas necesarias.

b) Si la hoja se empieza a atascar o si se interrumpe el corte por cualquier razón, suelte el gatillo y mantenga la sierra firme en el material hasta que la hoja se pare por completo. Nunca intente retirar la sierra de la pieza o tirar de la sierra hacia atrás mientras la hoja continúe en movimiento o podría producirse un contragolpe. Investigue y tome las medidas necesarias para eliminar la causa del atascamiento de la hoja.

c) Cuando vuelva a encender la sierra en la pieza de trabajo, centre la hoja de la sierra en la ranura y compruebe que los dientes de la hoja no están atascados en el material. Si una sierra se atasca, podría soltarse o provocar un contragolpe desde la pieza de trabajo cuando vuelva a encender la sierra.

d) No use hojas desafiladas o dañadas. Las hojas desafiladas o mal ajustadas producen una ranura estrecha, causando una fricción excesiva, atascamiento de la hoja y contragolpes.

e) Las palancas de bloqueo del ajuste de profundidad de la hoja y del bisel deben estar firmes y seguras antes de realizar un corte.

Si el ajuste de la hoja cambia durante el corte, podría causar su atascamiento y un contragolpe.

f) Las palancas de bloqueo del ajuste de profundidad de la hoja y del bisel deben estar firmes y seguras antes de realizar el corte. Si el ajuste de la hoja cambia durante el corte podría causar su atascamiento y un contragolpe.

g) Extreme las precauciones cuando realice un corte en una pared u otras zonas ciegas.

La hoja saliente puede cortar objetos que provoquen un contragolpe.

FUNCIÓN DE PROTECCIÓN INFERIOR

a) Compruebe que ha cerrado correctamente la protección inferior antes de cada uso. No utilice la sierra si la protección inferior no se mueve libremente y se cierra de forma instantánea. Nunca fije o sujete la protección inferior en la posición de apertura. Si la sierra se cae accidentalmente, la protección inferior podría doblarse. Suba la protección inferior con el tirador retráctil y asegúrese de que se mueve libremente y no toca la hoja o ninguna otra parte en cualquier ángulo o profundidad de corte.

b) Compruebe el funcionamiento del muelle de la protección inferior. Si la protección y el muelle no funcionan correctamente, deben ser arreglados antes de usar la máquina. La protección puede funcionar lentamente debido a que tenga partes dañadas, restos pegajosos o una acumulación de desechos.

c) La protección inferior solo puede retraerse manualmente para cortes especiales, como «cortes de inmersión» o «cortes compuestos». Suba la protección inferior con el tirador retráctil y, en cuanto la hoja toque el material, suelte la protección inferior. Para cualquier otro corte, la protección inferior debe funcionar automáticamente.

d) Asegúrese siempre de que la protección inferior cubre la hoja antes de posar la sierra en un banco o en el suelo. Una hoja en movimiento y desprotegida hará que la sierra vaya hacia atrás, cortando todo lo que encuentre a su paso. Tenga en cuenta el tiempo que necesita la hoja para pararse una vez desconectada.

INSTRUCCIONES ADICIONALES DE SEGURIDAD PARA SIERRAS CIRCULARES

a) No use hojas de sierra de acero rápido (HSS).

b) Inspeccione la máquina y la hoja antes de cada uso. No utilice hojas deformadas, partidas, desgastadas o dañadas de alguna manera.

c) Nunca utilice la sierra sin su sistema de protección original. No bloquee la protección móvil en la posición de apertura. Asegúrese de que puede mover la protección

libremente y sin interferencias.

d) Solamente use hojas que cumplan con las características especificadas en este manual.

Antes de usar accesorios, compare siempre las RPM máximas permitidas del accesorio con las RPM de la máquina.

e) No use discos abrasivos.

f) Use únicamente diámetros de hoja de conformidad con los marcados.

(3.4) **ADVERTENCIA:** Si faltan piezas, no utilice la máquina hasta que estas se reemplacen. No seguir esta indicación puede causar graves daños personales.

(4.1) **PRIMEROS PASOS - DESEMBALAJE**

Precaución: este paquete contiene objetos punzantes. Tenga cuidado al desembalarlo. Saque la máquina del embalaje junto con los accesorios suministrados. Revise con atención para comprobar que la máquina está en buenas condiciones y que cuenta con todos los accesorios que se enumeran en este manual. Asegúrese también de que todos los accesorios estén completos.

Si falta alguna de las piezas, la máquina y los accesorios se deben devolver juntos en su embalaje original a su distribuidor.

No tire el embalaje, guárdelo durante todo el período de garantía. Sea respetuoso con el medio ambiente cuando tire el embalaje. Si fuese posible, recíclelo.

No deje que los niños jueguen con las bolsas de plástico vacías debido al riesgo de asfixia.

(4.3) **Manuales de instrucciones de Evolution**

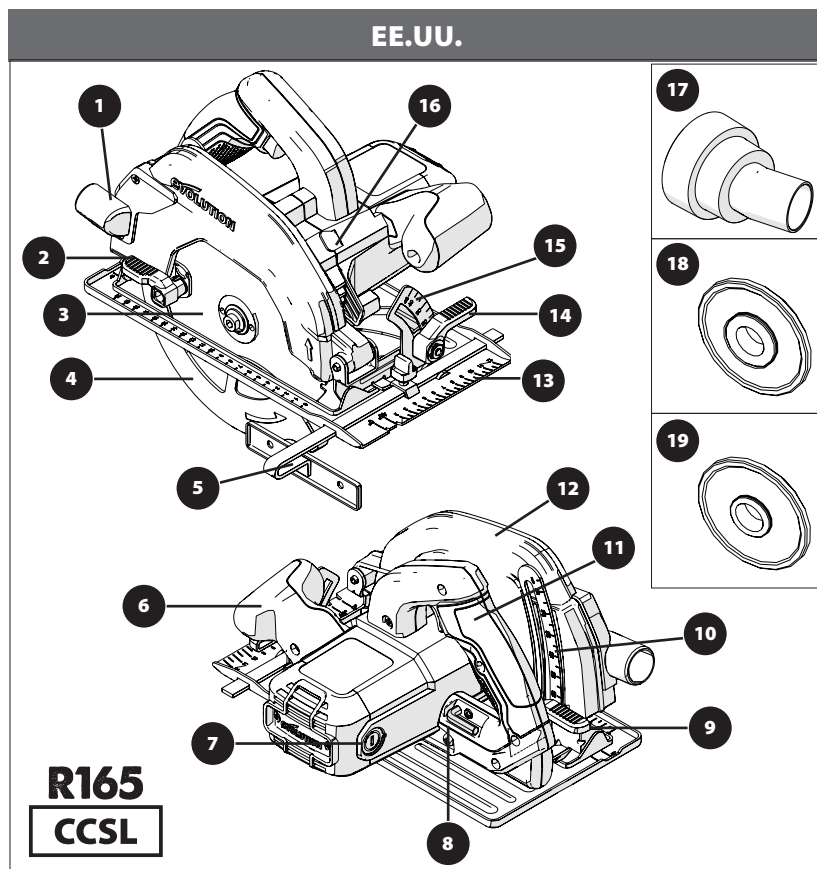
Cada producto de Evolution Power Tools incluye un manual de instrucciones.

Cada manual dedicado se ha elaborado y diseñado cuidadosamente para proporcionar información útil y fácilmente accesible acerca del uso seguro, el cuidado y el mantenimiento del producto. La consulta de la información incluida en el manual permitirá al operario aprovechar de forma plena y segura el potencial de la máquina. La política de Evolution de mejora continua del producto puede significar que, en muchas ocasiones, los contenidos de un manual pueden

no reflejar completamente las últimas mejoras o actualizaciones que se han incorporado en un producto particular. Las mejoras/actualizaciones de las especificaciones de un producto podrían ser consecuencia de avances tecnológicos o cambios en el marco legislativo del país de recepción, etc.

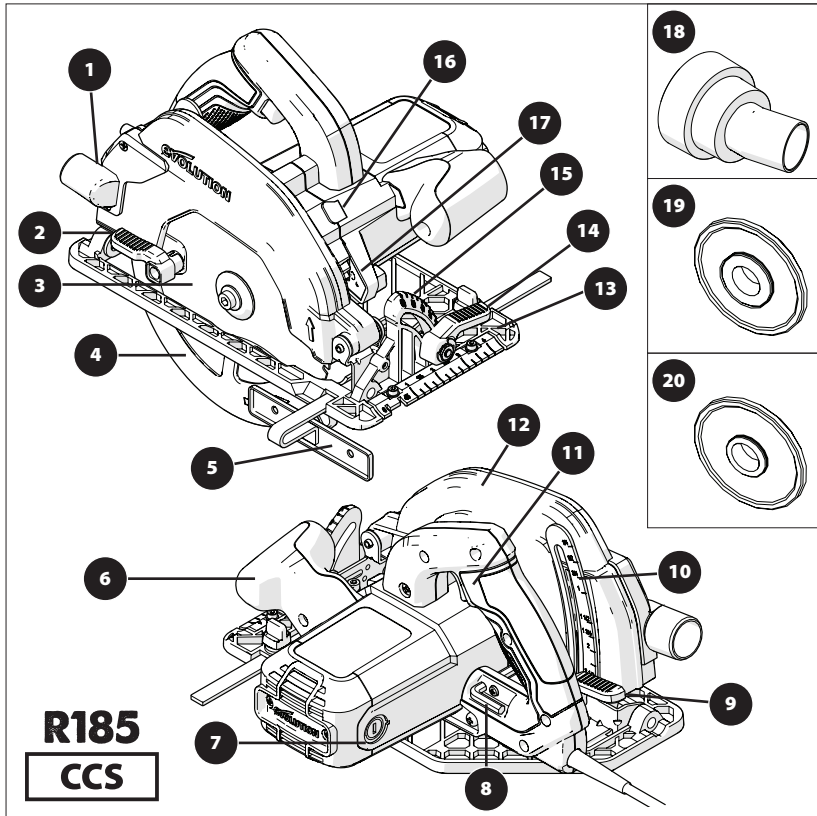
Si no está seguro acerca de algún aspecto del uso, el cuidado o el mantenimiento de un producto Evolution, póngase en contacto con la asistencia técnica pertinente, la cual le proporcionará información actualizada y consejos adicionales.

EE.UU.

**R165****CCSL**

1. PUERTO DE EXPULSIÓN DEL MATERIAL DE CORTE
2. PALANCA DE PULGAR
3. HOJA TCT MULTIMATERIAL
4. PROTECCIÓN INFERIOR DE LA HOJA
5. CARRIL GUÍA PARALELO
6. MANGO FRONTAL ERGONÓMICO
7. ESCOBILLAS DE CARBONO
8. LLAVE HEXAGONAL DE 8 MM (CAMBIO DE HOJA)
9. PALANCA DE BLOQUEO DEL AJUSTE DE PROFUNDIDAD
10. ESCALA DE PROFUNDIDAD
11. MANGO TRASERO
12. PROTECCIÓN SUPERIOR DE LA HOJA
13. PLACA BASE DE PRECISIÓN DISEÑADA
14. PALANCA DE PULGAR
15. ESCALA DEL TRANSPORTADOR DE ÁNGULOS
16. BOTÓN DEL SEGURO DEL EJE
17. CONECTOR DEL PUERTO DE POLVO
18. BORDE INTERIOR DE LA HOJA 25/32"
19. BORDE INTERIOR DE LA HOJA 5/8"

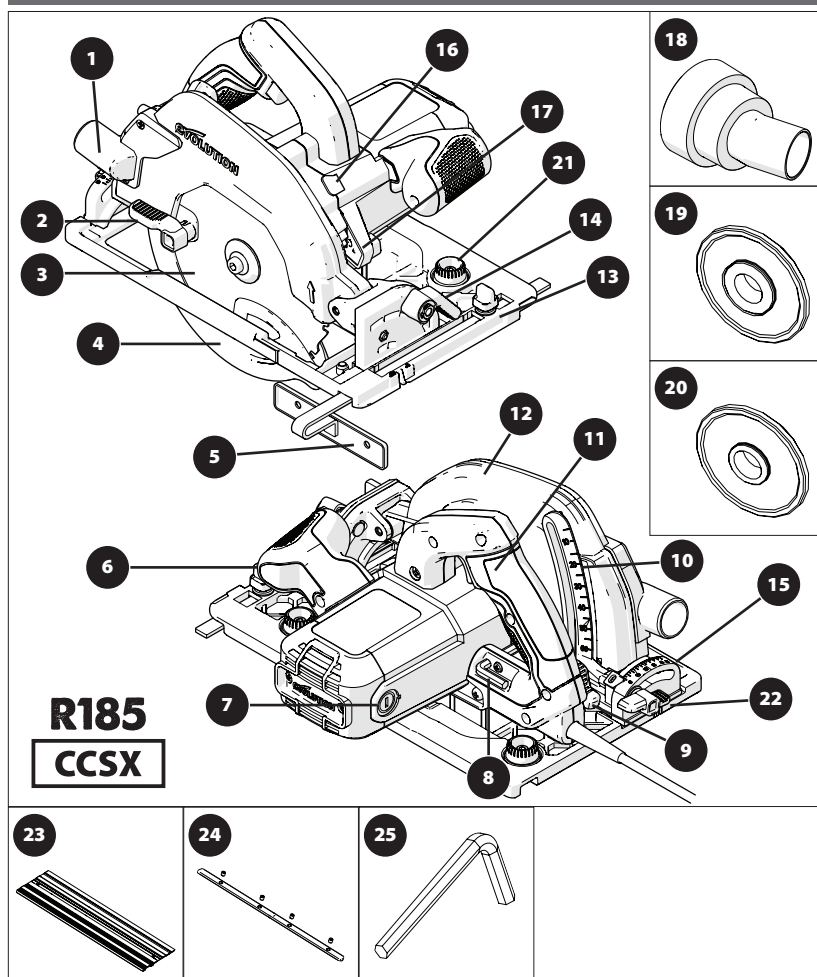
EE.UU.



**R185
CCS**

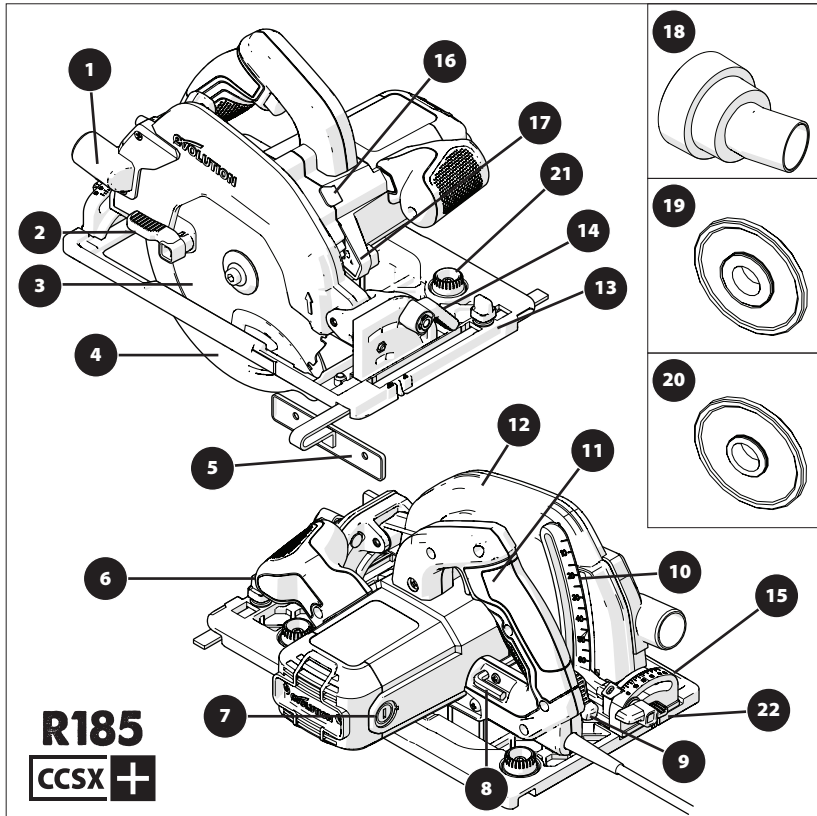
- | | |
|---|---|
| <ol style="list-style-type: none"> 1. PUERTO DE EXPULSIÓN DEL MATERIAL DE CORTE 2. PALANCA DE PULGAR 3. HOJA TCT MULTIMATERIAL 4. PROTECCIÓN INFERIOR DE LA HOJA 5. CARRIL GUÍA PARALELO 6. MANGO FRONTAL ERGONÓMICO 7. ESCOBILLAS DE CARBONO 8. Llave hexagonal de 8 mm (cambio de hoja) 9. PALANCA DE BLOQUEO DEL AJUSTE DE PROFUNDIDAD 10. ESCALA DE PROFUNDIDAD 11. INTERRUPTOR ON/OFF DEL MANGO TRASERO 12. PROTECCIÓN SUPERIOR DE LA HOJA 13. PLACA BASE DE PRECISIÓN DISEÑADA 14. PALANCA DE PULGAR DE AJUSTE DEL BISEL 15. ESCALA DEL TRANSPORTADOR DE ÁNGULOS 16. BOTÓN DEL SEGURO DEL EJE | <ol style="list-style-type: none"> 17. LUZ LED 18. CONECTOR DEL PUERTO DE POLVO 19. BORDE INTERIOR DE LA HOJA 25/32" 20. BORDE INTERIOR DE LA HOJA 5/8" |
|---|---|

EE.UU.



- | | | |
|---|--|--|
| <p>1. PUERTO DE EXPULSIÓN DEL MATERIAL DE CORTE</p> <p>2. PALANCA DE PULGAR</p> <p>3. HOJA TCT MULTIMATERIAL</p> <p>4. PROTECCIÓN INFERIOR DE LA HOJA</p> <p>5. CARRIL GUÍA PARALELO</p> <p>6. MANGO FRONTAL ERGONÓMICO</p> <p>7. ESCOBILLAS DE CARBONO</p> <p>8. LLAVE HEXAGONAL DE 5/16" (CAMBIO DE HOJA)</p> <p>9. PALANCA DE BLOQUEO DEL AJUSTE</p> | <p>10. ESCALA DE PROFUNDIDAD</p> <p>11. INTERRUPTOR ON/OFF DEL MANGO TRASERO</p> <p>12. PROTECCIÓN SUPERIOR DE LA HOJA</p> <p>13. PLACA BASE DE PRECISIÓN DISEÑADA COMPATIBLE CON LA VÍA</p> <p>14. PALANCA DE PULGAR</p> <p>15. ESCALA DEL TRANSPORTADOR DE ÁNGULOS TRASERO</p> <p>16. BOTÓN DEL SEGURO DEL EJE</p> | <p>17. LUZ LED</p> <p>18. CONECTOR DEL PUERTO DE POLVO</p> <p>19. BORDE INTERIOR DE LA HOJA 25/32"</p> <p>20. BORDE INTERIOR DE LA HOJA 5/8"</p> <p>21. BOTONES DE GIRO DEL AJUSTE DE VÍA</p> <p>22. TORNILLO DE MARIPOSA DEL BISEL TRASERO</p> <p>23. 3x VÍAS DE 13-3/8"</p> <p>24. 4x BARRAS DE CONECTOR DE VÍA</p> <p>25. LLAVE HEXAGONAL DE 1/8"</p> |
|---|--|--|

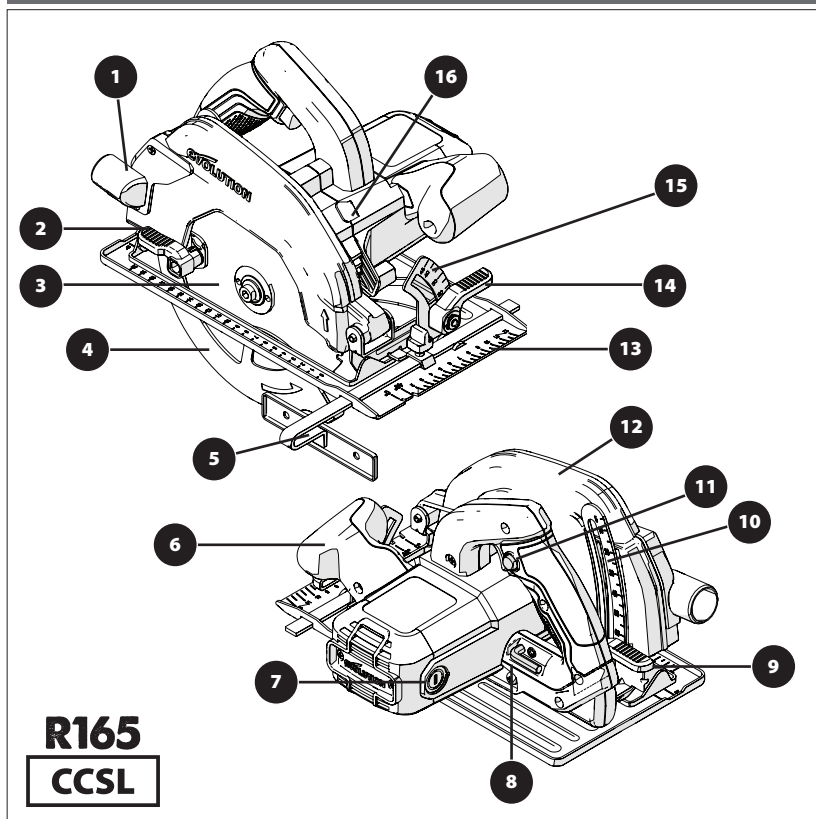
EE.UU.



R185
CCSX +

- | | |
|--|--|
| <ol style="list-style-type: none"> 1. PUERTO DE EXPULSIÓN DEL MATERIAL DE CORTE 2. PALANCA DE PULGAR 3. HOJA TCT MULTIMATERIAL 4. PROTECCIÓN INFERIOR DE LA HOJA 5. CARRIL GUÍA PARALELO 6. MANGO FRONTAL ERGONÓMICO 7. ESCOBILLAS DE CARBONO 8. LLAVE HEXAGONAL DE 5/16" (CAMBIO DE HOJA) 9. PALANCA DE BLOQUEO DEL AJUSTE DE PROFUNDIDAD 10. ESCALA DE PROFUNDIDAD 11. INTERRUPTOR ON/OFF DEL MANGO TRASERO 12. PROTECCIÓN SUPERIOR DE LA HOJA 13. PLACA BASE DE PRECISIÓN DISEÑADA COMPATIBLE CON LA VÍA 14. PALANCA DE PULGAR 15. ESCALA DEL TRANSPORTADOR DE ÁNGULOS TRASERO 16. BOTÓN DEL SEGURO DEL EJE | <ol style="list-style-type: none"> 17. LUZ LED 18. CONECTOR DEL PUERTO DE POLVO 19. BORDE INTERIOR DE LA HOJA 25/32" 20. BORDE INTERIOR DE LA HOJA 5/8" 21. BOTONES DE GIRO DEL AJUSTE DE VÍA 22. TORNILLO DE MARIPOSA DEL BISEL TRASERO |
|--|--|

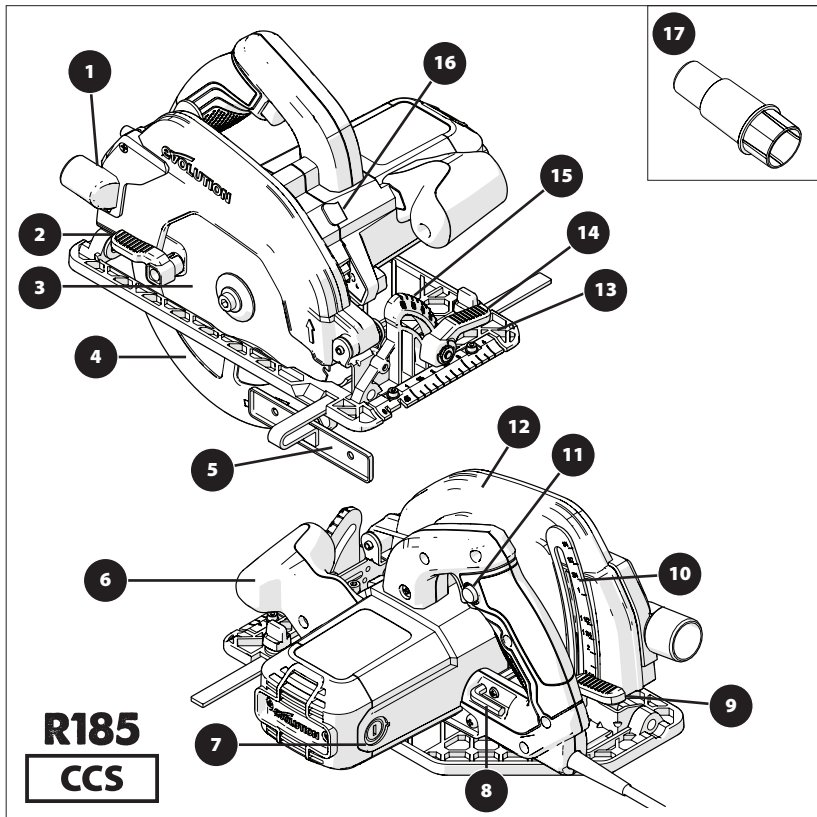
REINO UNIDO / UE / AUS



R165
CCSL

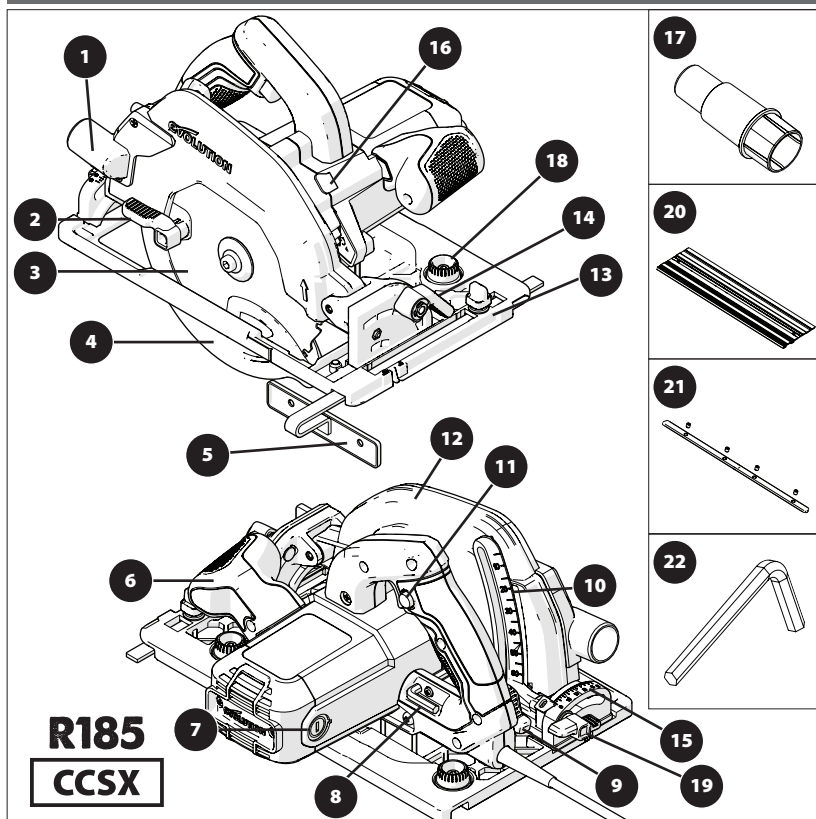
1. PUERTO DE EXPULSIÓN DEL MATERIAL DE CORTE
2. PALANCA DE PULGAR
3. HOJA TCT MULTIMATERIAL
4. PROTECCIÓN INFERIOR DE LA HOJA
5. CARRIL GUÍA PARALELO
6. MANGO FRONTAL ERGONÓMICO
7. ESCOBILLAS DE CARBONO
8. LLAVE HEXAGONAL DE 8 MM (CAMBIO DE HOJA)
9. PALANCA DE BLOQUEO DEL AJUSTE DE PROFUNDIDAD
10. ESCALA DE PROFUNDIDAD
11. EL MANGO TRASERO INCORPORA UN INTERRUPTOR ON/OFF DE SEGURIDAD PARA ENCENDERLA
12. PROTECCIÓN SUPERIOR DE LA HOJA
13. PLACA BASE DE PRECISIÓN DISEÑADA
14. PALANCA DE PULGAR
15. ESCALA DEL TRANSPORTADOR DE ÁNGULOS
16. BOTÓN DEL SEGURO DEL EJE

REINO UNIDO / UE



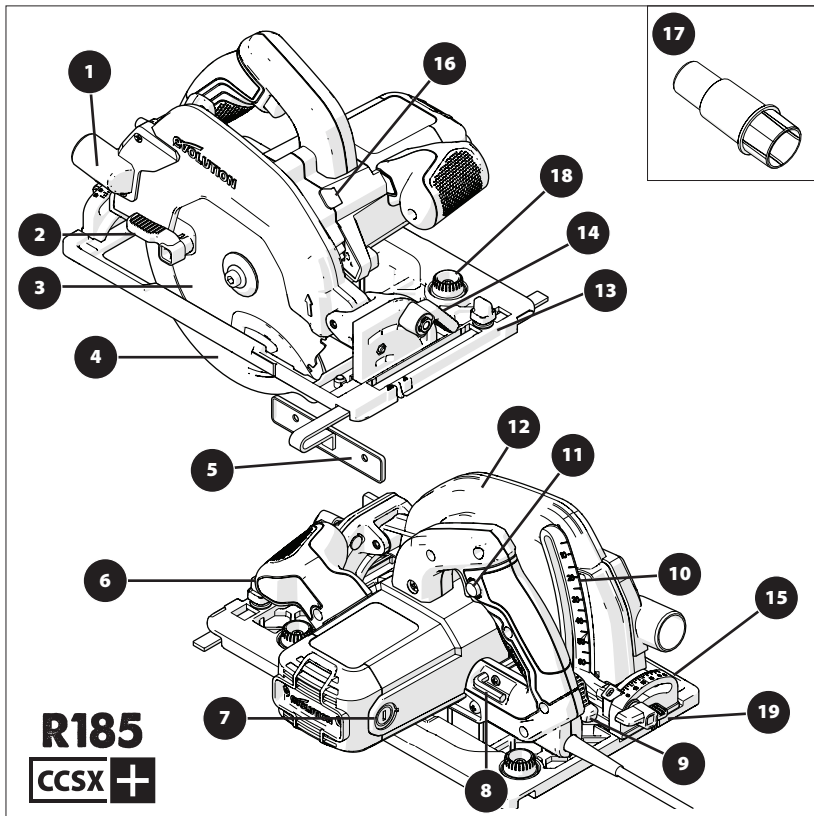
1. PUERTO DE EXPULSIÓN DEL MATERIAL DE CORTE
2. PALANCA DE PULGAR
3. HOJA TCT MULTIMATERIAL
4. PROTECCIÓN INFERIOR DE LA HOJA
5. CARRIL GUÍA PARALELO
6. MANGO FRONTAL ERGONÓMICO
7. ESCOBILLAS DE CARBONO
8. LLAVE HEXAGONAL DE 8 MM (CAMBIO DE HOJA)
9. PALANCA DE BLOQUEO DEL AJUSTE DE PROFUNDIDAD
10. ESCALA DE PROFUNDIDAD
11. EL MANGO TRASERO INCORPORA UN INTERRUPTOR ON/OFF DE SEGURIDAD PARA ENCENDERLA
12. PROTECCIÓN SUPERIOR DE LA HOJA
13. PLACA BASE DE PRECISIÓN DISEÑADA
14. PALANCA DE PULGAR
15. ESCALA DEL TRANSPORTADOR DE ÁNGULOS
16. BOTÓN DEL SEGURO DEL EJE
17. CONECTOR DEL PUERTO DE POLVO

REINO UNIDO / UE



- | | |
|---|--|
| 1. PUERTO DE EXPULSIÓN DEL MATERIAL DE CORTE | 17. CONECTOR DEL PUERTO DE POLVO |
| 2. PALANCA DE PULGAR | 18. BOTONES DE GIRO DEL AJUSTE DE VÍA |
| 3. HOJA TCT MULTIMATERIAL | 19. TORNILLO DE MARIPOSA DEL BISEL TRASERO |
| 4. PROTECCIÓN INFERIOR DE LA HOJA | 20. 3X VÍAS DE 340 MM |
| 5. CARRIL GUÍA PARALELO | 21. 4X BARRAS DE CONECTOR DE VÍA |
| 6. MANGO FRONTAL ERGONÓMICO | 22. LLAVE HEXAGONAL DE 3 MM |
| 7. ESCOBILLAS DE CARBONO | |
| 8. LLAVE HEXAGONAL DE 8 MM (CAMBIO DE HOJA) | |
| 9. PALANCA DE BLOQUEO DEL AJUSTE DE PROFUNDIDAD | |
| 10. ESCALA DE PROFUNDIDAD | |
| 11. EL MANGO TRASERO INCORPORA UN INTERRUPTOR ON/OFF DE SEGURIDAD PARA ENCENDERLA | |
| 12. PROTECCIÓN SUPERIOR DE LA HOJA | |
| 13. PLACA BASE DE PRECISIÓN DISEÑADA COMPATIBLE CON LA VÍA | |
| 14. PALANCA DE PULGAR | |
| 15. ESCALA DEL TRANSPORTADOR DE ÁNGULOS TRASERO | |
| 16. BOTÓN DEL SEGURO DEL EJE | |

REINO UNIDO / UE



- | | |
|--|---|
| <ol style="list-style-type: none"> 1. PUERTO DE EXPULSIÓN DEL MATERIAL DE CORTE 2. PALANCA DE PULGAR 3. HOJA TCT MULTIMATERIAL 4. PROTECCIÓN INFERIOR DE LA HOJA 5. CARRIL GUÍA PARALELO 6. MANGO FRONTAL ERGONÓMICO 7. ESCOBILLAS DE CARBONO 8. LLAVE HEXAGONAL DE 8 MM (CAMBIO DE HOJA) 9. PALANCA DE BLOQUEO DEL AJUSTE DE PROFUNDIDAD 10. ESCALA DE PROFUNDIDAD 11. EL MANGO TRASERO INCORPORA UN INTERRUPTOR ON/OFF DE SEGURIDAD PARA ENCENDERLA 12. PROTECCIÓN SUPERIOR DE LA HOJA 13. PLACA BASE DE PRECISIÓN DISEÑADA COMPATIBLE CON LA VÍA 14. PALANCA DE PULGAR 15. ESCALA DEL TRANSPORTADOR DE ÁNGULOS TRASERO 16. BOTÓN DEL SEGURO DEL EJE | <ol style="list-style-type: none"> 17. CONECTOR DEL PUERTO DE POLVO 18. BOTONES DE GIRO DEL AJUSTE DE VÍA 19. TORNILLO DE MARIPOSA DEL BISEL TRASERO |
|--|---|

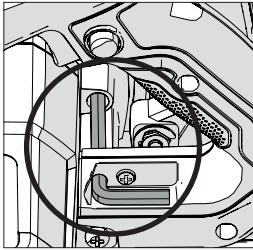


Fig. 1

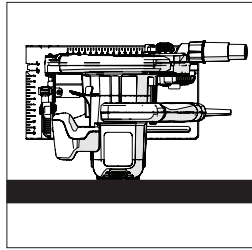


Fig. 2

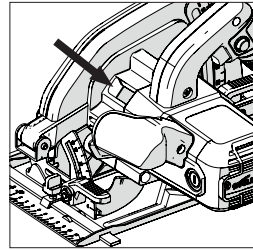


Fig. 3

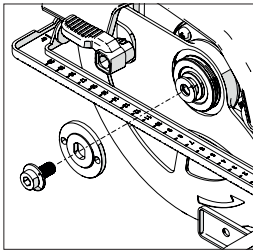


Fig. 4

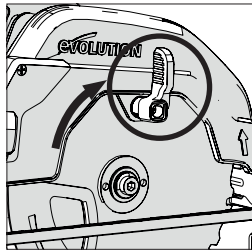


Fig. 5

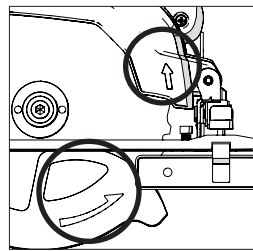


Fig. 6

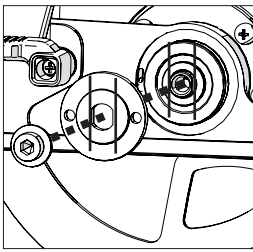


Fig. 7a

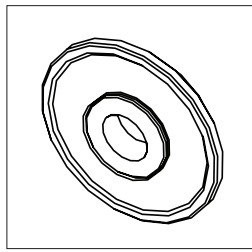


Fig. 7b

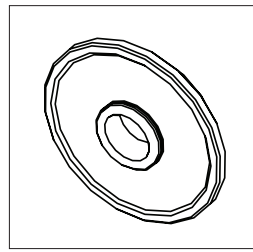


Fig. 7c

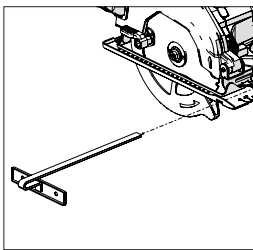


Fig. 8

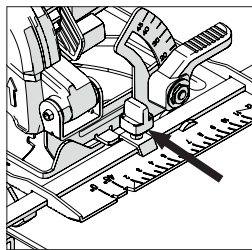


Fig. 9

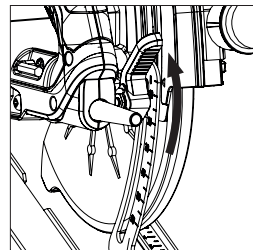


Fig. 10

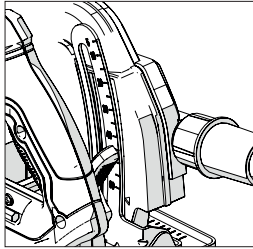


Fig. 11

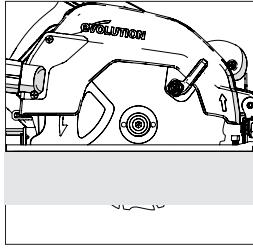


Fig. 12

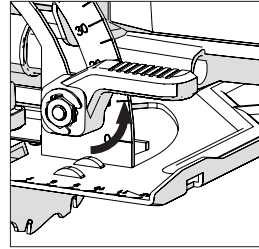


Fig. 13

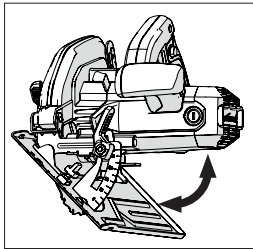


Fig. 14

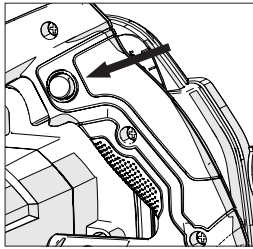


Fig. 15

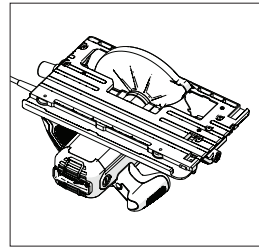


Fig. 16

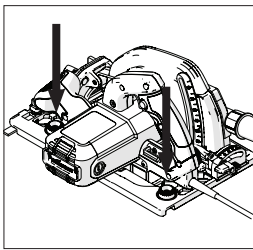


Fig. 17

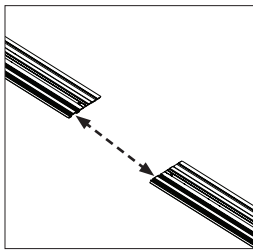


Fig. 18

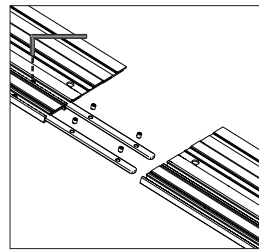


Fig. 19

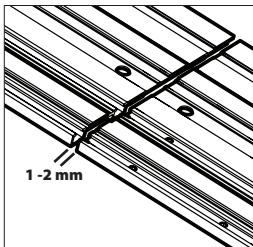


Fig. 20

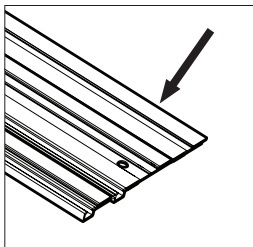


Fig. 21

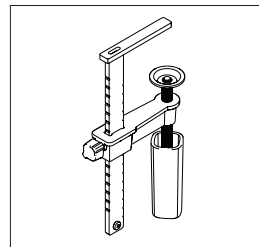


Fig. 22

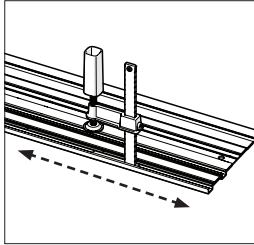


Fig. 23

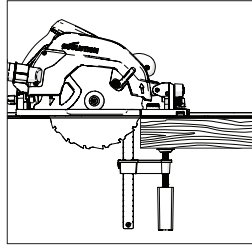


Fig. 24

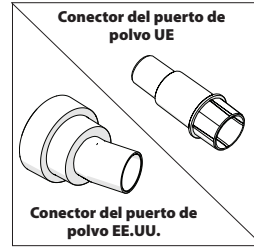


Fig. 25

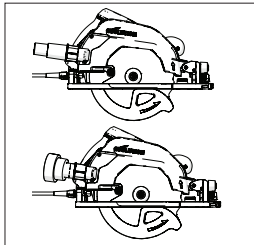


Fig. 26

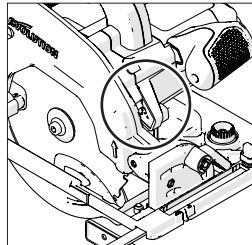


Fig. 27

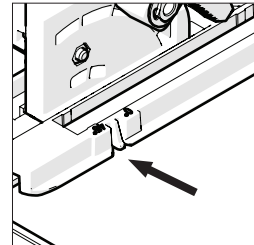


Fig. 28

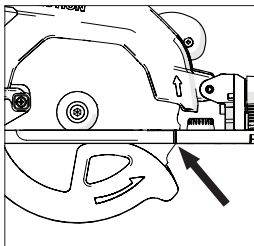


Fig. 29

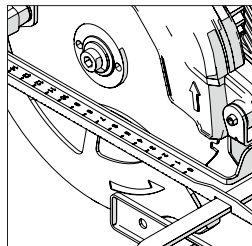


Fig. 30

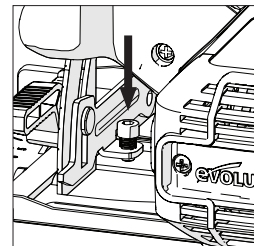


Fig. 31

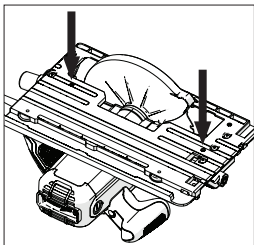


Fig. 32

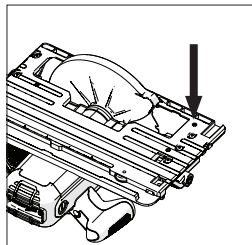


Fig. 33

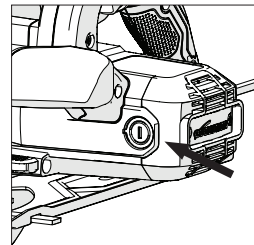


Fig. 34

EN

ES

DE

FR

IT

PL

PT

RO

(10) PREPARACIÓN

ADVERTENCIA: Desconecte siempre la máquina de la alimentación antes de realizar ningún ajuste.

Nota: Estas máquinas están equipadas con un cable de alimentación y un enchufe aprobados para el país de uso previsto. No altere ni modifique el cable de alimentación.

(10.1) INSTALAR O DESMONTAR UNA HOJA

ADVERTENCIA: Utilice solo hojas Evolution originales (o aquellas aprobadas por Evolution Power Tools) que hayan sido diseñadas para estas máquinas. Asegúrese de que la velocidad máxima de la hoja es compatible con la máquina. Realice esta operación tan solo cuando la máquina esté desconectada de la alimentación.

Nota: se recomienda que el operario lleve guantes protectores cuando manipule la hoja durante la instalación o cuando cambie la hoja de la máquina.

- Localice la llave hexagonal de cambio de hoja suministrada, que se encuentra en la instalación de almacenamiento de a bordo (situada de forma similar en todas las máquinas). **(Fig. 1)**
- Coloque la sierra en una superficie nivelada y segura.

Nota: Con cuidado, todas las máquinas se pueden equilibrar en el extremo plano de la carcasa del motor, **(Fig. 2)** haciendo que el acceso a la hoja y a las fijaciones de las hojas sea muy cómodo.

- Localice el botón del seguro del eje de la máquina (que está situado de forma similar en todas las máquinas). Bloquee el eje de la máquina activando el botón del seguro del eje. **(Fig. 3).**

Nota: Girar la hoja despacio manualmente, mientras se presiona ligeramente el botón del seguro del eje, ayudará a activar el seguro del eje.

- Con la llave hexagonal suministrada, afloje y retire el tornillo de cabeza hueca del eje, las fijaciones asociadas y el borde exterior de la hoja. **(Fig. 4)**

Nota: El tornillo de cabeza hueca del eje está equipado con una rosca de tornillo estándar. Gire el tornillo en sentido horario para apretarlo. Gire el tornillo en sentido antihorario para aflojarlo.

- Almacene de forma segura el borde exterior de la hoja y las fijaciones asociadas.
- Gire la protección inferior de la hoja hacia dentro de la protección superior de la hoja usando la palanca de pulgar manual. **(Fig. 5)**
- Retire con cuidado la hoja (si está instalada) de la máquina.
- Limpie minuciosamente los bordes interiores e exteriores de la hoja.

Nota: El borde interior de la hoja se puede dejar en su lugar si se desea, pero se debería comprobar y limpiar minuciosamente. Si se retira de la máquina, se debe colocar de nuevo en la misma orientación en la que estaba antes de la retirada.

- Limpie minuciosamente la hoja alrededor de la zona de la perforación (ambas superficies) donde los bordes de la hoja tocarán y sujetarán la hoja.
- Instale la (nueva) hoja.
- Asegúrese de que la dirección de rotación de la flecha de la hoja coincide con la dirección de la rotación de la flecha en la protección superior e inferior de la hoja de la máquina. **(Fig. 6)**
- Reinstale el borde exterior, el tornillo de cabeza hueca del eje y sus fijaciones asociadas.

Nota: El borde exterior tiene una perforación especialmente mecanizada que incorpora dos «caras» opuestas. **(Fig. 7a)** Estas «caras» engranan con dos «caras» complementarias mecanizadas en el eje de la máquina.

- Vuelva a poner el seguro del eje y apriete el tornillo de cabeza hueca del eje de forma segura usando la llave hexagonal.
- Suelte el botón del seguro del eje
- Devuelva la llave hexagonal a su posición de almacenamiento dedicada.
- Compruebe que se ha liberado completamente el seguro del eje girando la hoja manualmente.
- Compruebe el funcionamiento de la protección inferior de la hoja.

Nota: Para el mercado norteamericano solo se incluye una brida de doble eje lateral para que se puedan colocar cuchillas de 1" **(Fig. 7b)** y cuchillas de 5/8" **(Fig. 7c).**

(11) CARRIL GUÍA PARALELO

Con todas las máquinas CCS se suministra un carril guía paralelo **(Fig. 8)** que puede ser especialmente útil para cortes al hilo. La guía se puede equipar en

el lado frontal de la placa base. El brazo guía se debe insertar a través de los huecos rectangulares que se encuentran a cualquier lado (frontal) de la placa base de acero prensado, y deslizarse por debajo del tornillo de bloqueo del ajuste situado en el centro. **(Fig. 9)**

Nota: El carril guía paralelo se puede equipar a cualquier lado de la placa base.

ADVERTENCIA: Instale y ajuste la guía únicamente con la máquina desconectada del suministro eléctrico.

Nota: El brazo del carril guía paralelo debe pasar a través de todos los huecos rectangulares provistos en la placa base.

ADVERTENCIA: Es potencialmente peligroso instalar e intentar usar el carril guía con el brazo pasando solamente a través de uno (1) de los huecos mecanizados de la placa base rectangular. Ajuste el carril guía de modo que esté a la distancia necesaria desde la hoja y apriete el tornillo de ajuste. Compruebe que el carril guía está paralelo a la hoja de la sierra.

(12) AJUSTE DE LA PROFUNDIDAD DE CORTE

Nota: Todas las máquinas CCS comparten los mismos accesorios/fijaciones de ajuste de profundidad generales y emplean la misma técnica básica para ajustar la profundidad de la hoja.

- Afloje el mecanismo de bloqueo del ajuste de profundidad tirando de la palanca de funcionamiento hacia arriba. **(Fig. 10)**
- Ajuste/vuelva a colocar la placa base para proporcionar la profundidad de corte requerida (la cantidad que sobresale la hoja a través de la placa base).

Nota: Puede encontrar una escala de profundidad en el cuadrante de ajuste de la profundidad con una marca de referencia incorporada en la zona adyacente de la protección superior de la hoja de la máquina. **(Fig. 11)** El uso de estas características puede ayudar a lograr un ajuste rápido.

Nota: Aunque la escala de profundidad y la marca de referencia son muy útiles, permitiendo el ajuste de profundidad rápido, su uso siempre se debe

considerar como una guía para el ajuste logrado. Si se requiere una profundidad de corte muy precisa, entonces se debe comprobar el ajuste de la hoja con una regla de precisión de ingeniero (no suministrada) o similar y ajustarse en consecuencia.

- La mayoría de las veces, la profundidad de corte deberá configurarse al grosor del material que se va a cortar más la profundidad de medio diente de sierra (punta del diente a la raíz del diente). **(Fig. 12)**
- Apriete el mecanismo de bloqueo del ajuste de profundidad empujando la palanca de funcionamiento hacia abajo para bloquear de forma segura la máquina en la posición requerida.

(13) AJUSTE DEL ÁNGULO DE CORTE (BISEL)

Todas las máquinas CCSL y CCSX tienen la capacidad de inclinar la hoja (hasta) 45° y todas las máquinas CCS tienen la capacidad de inclinar la hoja (hasta) 60° hacia la izquierda. Por tanto, son posibles los cortes de bisel.

Nota: La hoja está en la posición vertical cuando la escala del transportador de ángulos indica 0°.

Nota: Se ha incorporado una escala de transportador de ángulos (0° - 45° o 0° - 60°) en el cuadrante de bloqueo del bisel que se encuentra en la parte frontal de la placa base. Su uso permitirá un ajuste rápido del ángulo de bisel, pero solo se debe considerar como una guía. Si se requiere un ángulo de bisel muy preciso, entonces se debe comprobar el ajuste de la hoja con un calibrador angular de vernier (no suministrado) o similar y ajustarse en consecuencia.

- Suelte el mecanismo de bloqueo del bisel que se encuentra en la parte frontal de la máquina tirando de la palanca hacia arriba. **(Fig. 13)**
- Incline la hoja con el ángulo requerido como se indica en la escala del transportador de ángulos del cuadrante. **(Fig. 14)**
- Apriete el mecanismo de bloqueo del bisel de forma segura empujando la palanca hacia abajo cuando se haya logrado el ángulo de bisel deseado.

**(14) CONSEJOS DE USO
(COMPROBACIONES ANTES DEL USO)**

Nota: Como cada entorno de uso será único y diverso, Evolution Power Tools ofrece los siguientes consejos generales acerca de los procedimientos y prácticas operativos seguros para su consideración por parte del operario.

Estos consejos no pueden ser exhaustivos, ya que Evolution no ejerce ninguna influencia en el tipo de talleres o entornos de trabajo en los que se pueden usar las máquinas.

Recomendamos al operario que pida consejo a una autoridad competente o al supervisor del taller si no está seguro de algún aspecto del uso de estas máquinas.

Es importante que se lleven a cabo las comprobaciones de seguridad rutinarias (en cada momento de uso) antes de que el operario use la máquina.

ADVERTENCIA: Estas comprobaciones previas al uso se deberían efectuar con la máquina desconectada del suministro de la red eléctrica.

- Compruebe que todas las protecciones de seguridad funcionan correctamente y que todos los mangos de ajuste y tornillos están fijados de manera segura.
- Compruebe que la hoja está encajada e instalada correctamente. Compruebe también que se trata de la hoja apropiada para el material que va a cortar.
- Compruebe la integridad del cable de alimentación.
- Siempre que sea posible, fije la pieza de trabajo a un soporte rígido como un banco o caballete de sierra o similar.
- El operario debe tener siempre en cuenta la posición y el movimiento del cable de alimentación.

(15) EPI

- El operario debe llevar todo el EPI (Equipo de Protección Individual) pertinente necesario para la tarea que vaya a realizar. Este puede incluir gafas de protección, máscaras faciales completas, mascarillas para el polvo, calzado de seguridad, etc.

Nota: Todas las máquinas de la serie CCS están equipadas con un soplador de restos en la línea de corte. Este guía el aire desde un ventilador impulsado por motor hacia la zona delantera de la hoja, manteniendo así la línea de corte relativamente libre de restos. Esta característica ayudará a la visión del operario y seguirá el progreso de la hoja de la sierra a lo largo del corte, manteniendo cualquier línea de marcado visible.

ADVERTENCIA: Todo el polvo generado es potencialmente perjudicial para la salud. Algunos materiales pueden ser especialmente dañinos y el operario siempre debería llevar una mascarilla para el polvo apropiada para el material con el que se va a trabajar. Se debe buscar ayuda profesional si el operario no está seguro de la toxicidad potencial del material que se va a cortar.

ADVERTENCIA: Estas máquinas nunca se deben usar para cortar amianto o cualquier material que contenga, o se sospeche que contenga, amianto.

Consulte/informe a las autoridades relevantes y busque orientación adicional si se sospecha que hay contaminación de amianto.

(16) GATILLO INTERRUPTOR ON/OFF

Nota: Todas las máquinas destinadas al mercado europeo y australiano están equipadas con un interruptor de «arranque seguro» para aumentar la seguridad del operario. **(Fig.15)**

Para encender el motor:

- Pulse el botón del bloqueo de seguridad a un lado del mango con el pulgar.
- Presione el gatillo interruptor.

Para detener el motor:

- Suelte el gatillo interruptor.

ADVERTENCIA: Nunca se debería iniciar el motor con la hoja de la sierra en contacto directo con cualquier superficie de la pieza de trabajo.

Nota: Las máquinas destinadas al mercado norteamericano están equipadas con un gatillo interruptor On/Off que no incorpora un interruptor de «arranque seguro».

ADVERTENCIA: Si la sierra está «con corriente» (luz LED «On»), evite el arranque no intencionado del motor cuando se coge la máquina de un banco de trabajo o similar. Si se pulsa el gatillo interruptor ON/OFF (situado en el mango principal) cuando se coge la máquina en reposo, se hará que el motor arranque.

VÍAS DE CORTE

Las máquinas Evolution de la serie CCSX (consulte la página de especificaciones para los modelos aplicables) se han fabricado y diseñado de modo que sean compatibles con la vía de corte.

Nota: Cualquier sierra circular que se pueda usar con una vía de corte tendrá un canal a lo largo de la superficie inferior de la placa base (**Fig. 16**)
Las máquinas de Evolution equipadas así se pueden conectar y usar con la mayoría de vías de corte (guías) disponibles actualmente.

Nota: Consulte la documentación proporcionada junto con la vía por el fabricante de la vía. La documentación facilitada normalmente proporcionará las instrucciones de montaje de la vía, además de información relativa a las prácticas de trabajo seguro que se necesitan emplear al usar dicho equipo.

Las vías de corte se pueden usar en los siguientes casos:

- El uso de una sierra circular o ingletadora podría presentar problemas de salud y seguridad en el trabajo u otros problemas prácticos del lugar de trabajo. Por ejemplo, cuando se trabaja en una obra en la que se necesita un control muy justo y preciso (trabajo en un tejado o plataforma de andamio, etc.), el uso de una vía de corte puede proporcionar al usuario algunas posibilidades operativas adicionales (y seguras).
- Se requieren cortes precisos a través o a lo largo de piezas de trabajo. Por ejemplo, en marcos, puertas, tableros de gran tamaño o paneles de pared, etc. la guía/vía de corte podría eliminar la necesidad de usar una sierra circular en el modo «a mano alzada».

Nota: Las máquinas de Evolution compatibles con vía de corte tienen dos (2) levas que se proyectan en el canal de la placa base (una a cada lado). Los «botones de giro» (**Fig. 17**) permiten a los operadores rotar estas levas.

El ajuste de estas levas reducirá ligeramente la anchura efectiva del canal de la placa base. Esto podría ser necesario para acomodar cualquier pequeña variación de ancho de raíl que pueda tener lugar durante la fabricación de la extrusión de la vía. Las anchuras de los raíles de la vía producidos por diferentes fabricantes de vías también pueden presentar ligeras variaciones.

Nota: el operario debe ajustar estas levas para que cuando se coloque la máquina correctamente en una vía, se pueda mover hacia delante o hacia atrás de forma fácil y suave, pero sin detectar movimiento lateral (tambaleo).

VÍAS DE CORTE DE EVOLUTION

Algunas máquinas de Evolution (en función del modelo y el mercado de destino) se suministran con una vía de corte.

Nota: las vías de corte de Evolution están disponibles para los clientes como una opción de compra. Contacte con su proveedor de Evolution Power Tools para obtener más información.

LA VÍA

El sistema de vías de Evolution consta de dos (2) o tres (3) secciones de aleación extruida de precisión.

(**Fig. 18**) Estas secciones se deben unir mediante las barras de unión suministradas. (**Fig. 19**)

Para unir las secciones (**Fig. 19**):

- Deslice las barras en las ranuras en «T» que se encuentran en la superficie inferior de las extrusiones.
- Asegúrese de que se inserta la misma longitud (aproximadamente) de las barras en ambas secciones para unir las.
- Apriete los tornillos prisioneros de cabeza hueca para asegurar la unión de las secciones.

Nota: Es importante dejar un pequeño hueco entre las secciones unidas de entre 1 y 2 mm. Esto asegurará que cuando se coloque encima una sierra circular y se use con una vía de corte cruzado de Evolution, se deslice de forma fluida a lo largo de toda la longitud de la vía.

ENCARGO DE SIERRA PARA VÍA

Nota: Las siguientes directrices hacen referencia a las sierras circulares de Evolution y a la vía de corte de Evolution. Consulte la información suministrada

por los fabricantes de la sierra y/o la vía de corte si se va a usar una sierra circular o vía de corte que no sea de Evolution.

Antes de usar por primera vez la vía de corte Evolution, la tira de la protección contra astillas (**Fig. 21**) debe coincidir con la sierra y la hoja.

Para emparejar la sierra con la vía:

- Monte completamente la vía de corte.
- Consulte la sección titulada «Posicionamiento y fijación de la vía». Fije la vía en una pieza apropiada de material sobrante o de desecho.
- Ajuste la hoja de la sierra con una profundidad apropiada para la pieza de trabajo de desecho seleccionada.
- Asegúrese de que no haya obstrucciones debajo del recorrido de la hoja.
- Consulte la sección «Posicionamiento y fijación de la vía». Ponga la sierra circular de forma correcta sobre la vía.
- Encienda el motor y permita que alcance la máxima velocidad.
- Empuje la sierra circular despacio y de forma suave a lo largo de toda la longitud de la vía hasta que la hoja haya atravesado la longitud completa de la tira de protección contra astillas.

Nota: este proceso emparejará una sierra específica con una vía específica.

Si se usara una sierra diferente en dicha vía preparada, puede que la tira de protección contra astillas no proporcione el mismo nivel de protección que la sierra dedicada a la configuración de la vía.

Nota: la tira de protección contra astillas se debería considerar un artículo consumible. Con el tiempo se desgastará y erosionará y, por tanto, será necesario sustituirla. Puede que también sea necesaria la sustitución si se va a usar una sierra circular u hoja de sierra diferentes (una con un ancho de ranura diferente) a la configuración original dedicada.

TIRA DE PROTECCIÓN CONTRA ASTILLAS DE RECAMBIO

Como artículo consumible, la tira de protección contra astillas de recambio se debe comprobar a intervalos regulares en busca de daño o desgaste

provocado por el «desgaste operativo». Sustituya la tira si ve cualquier daño o desgaste significativo.

Hay tiras de recambio disponibles. Consulte a su proveedor o póngase en contacto con Evolution usando el número de teléfono adecuado. La tira de protección contra astillas de recambio suministrada es un sustituto directo para la equipada originalmente. Basta con tirar suavemente de la tira antigua para retirarla de la vía y sustituirla por una tira nueva.

Nota: Si se equipa una tira nueva, se debe repetir el proceso de emparejamiento de la sierra con la vía.

MORDAZAS DE VÍA EVOLUTION

La mordaza rápida Evolution (**Fig. 22**) se ha diseñado especialmente para su uso con la vía de corte Evolutionk.

Nota: Se pueden comprar mordazas adicionales en Evolution Power Tools o su distribuidor local.

Las mordazas Evolution se pueden encajar en las ranuras en T que se encuentran en la superficie inferior de las extrusiones de aleación y deslizarse a lo largo de ellas. (**Fig. 23**)

Esto permite al operador situar las mordazas (se requiere una en cada extremo de la vía) en posiciones que permitan la máxima seguridad y rigidez de la vía de corte para la pieza de trabajo.

POSICIONAMIENTO Y FIJACIÓN DE LA VÍA

Nota: Las siguientes directrices se proporcionan a modo de consejo. Evolution no puede controlar los entornos o condiciones de trabajo en los que se usa el equipo.

ADVERTENCIA: Si se va a usar el equipo en una obra, el operador debe consultar a la persona responsable de la salud y la seguridad en el trabajo para obtener instrucciones o requisitos de seguridad específicos «in situ» adicionales.

- Marque claramente la pieza de trabajo y, en particular, la «línea de corte» a lo largo de la cual se necesita que se desplace la hoja de la sierra.
- Monte la vía de corte con tantas secciones como sean necesarias para abarcar la pieza de trabajo, incluido el margen necesario para que sobresalga.

- Con las mordazas rápidas Evolution (la opción preferida) o mordazas «G» adecuadas, situe la vía sobre la pieza de trabajo y asegúrela apretando las mordazas.
- Asegúrese de que el borde de la tira de protección contra astillas se desplaza exactamente a lo largo de la línea de corte marcada.

ADVERTENCIA: la vía de corte debe sobresalir de la pieza de trabajo en el extremo de «entrada».

(Fig. 24)

Habrà que retraer manualmente la protección inferior de la hoja y girarla hacia arriba dentro de la protección superior de la hoja al colocar la sierra circular sobre la vía.

ADVERTENCIA: En esta posición la hoja está expuesta. **NO** presione el gatillo hasta que se hayan efectuado las siguientes comprobaciones de seguridad.

REALIZACIÓN DE UN CORTE

La realización de un corte usando una vía de corte es muy similar a un corte normal con una sierra circular. Todos los protocolos y procedimientos de seguridad que se aplican al uso de una sierra circular también se aplicarán cuando se use dicha sierra junto con una vía de corte cruzado.

Aunque no son exhaustivas, las siguientes directrices ofrecen consejos generales:

- Realice una comprobación de seguridad para asegurarse de que la vía de corte está fijada de forma segura a la pieza de trabajo y que la propia pieza de trabajo está fija y no se puede mover durante un corte.
- Compruebe para asegurarse de que no hay obstrucciones debajo de la pieza de trabajo que puedan limitar o impedir el progreso de la hoja de la sierra o ser dañadas por la hoja de la sierra.
- Asegúrese de que el cable de red eléctrica está tendido de forma que no presente peligro de tropiezo (ni de otro tipo). Compruebe en particular que el cable de red eléctrica no pueda entrar en contacto con la hoja en movimiento de la sierra.
- El operador debe asegurarse de que, al empujar la sierra a lo largo de la vía, pueda mantener una posición estable, buen equilibrio y control total en todo momento durante el corte. Se debe tener especial cuidado cuando la hoja de la sierra sale de la pieza de trabajo.

ADVERTENCIA: Especialmente si trabaja en altura (también se pueden aplicar en otras circunstancias), asegúrese de que el material de corte no puede caer y lesionar potencialmente a otra persona. Puede que el operador tenga que considerar alguna forma de contener o recoger dicho material de corte. Consulte a la persona responsable de la seguridad en la ubicación para que le proporcione orientación específica.

Nota: El operador debería considerar hacer una prueba con la sierra desconectada de la red eléctrica para confirmar que todo el procedimiento de corte será completamente seguro.

Cuando se haya completado el corte, el operador deberá soltar el gatillo interruptor ON/OFF y permitir que el motor se detenga y que la hoja se pare.

A medida que se levanta la sierra de la vía de corte y la pieza de trabajo, se desplegará automáticamente la protección inferior de la hoja para cubrir la hoja por completo.

RECOGIDA DE POLVO / RESIDUOS

Se puede equipar una boquilla adaptadora (Fig. 25) en todas las máquinas CCS. La instalación de la boquilla permite conectar la máquina a un dispositivo de recogida de polvo/residuos.

Nota: el diseño exacto de la boquilla suministrada variará en función del tipo de modelo y del mercado de destino de la máquina.

La boquilla suministrada será apta para una gran variedad de dispositivos de recogida de polvo/residuos disponibles actualmente. La boquilla se debe equipar en el puerto de expulsión del material de corte. (Fig. 26)

Nota: se puede conectar una máquina industrial de extracción de polvo/residuos en la boquilla adaptadora si fuera necesario. Siga las instrucciones del fabricante si se equipa dicha máquina y asegúrese de que pueda encargarse del material de corte expulsado.

LUZ LED

Algunas de estas máquinas (en función del modelo y el mercado de destino) están equipadas con una luz LED automática.

Nota: Si no está seguro de qué características se proporcionan con su máquina, consulte la

página de especificaciones proporcionada en este manual.

La luz LED está situada en el lado izquierdo (LH) de la hoja. (**Fig. 27**) El rayo del LED iluminará el lado izquierdo de la hoja y también iluminará cualquier línea de marcado presente en la pieza de trabajo. Esto debería ayudar al operador a predecir el recorrido de la hoja a través de la pieza de trabajo y de este modo ayudará a realizar el trabajo de una forma más eficaz, precisa y segura..

Nota: el funcionamiento de la luz LED es automático. En cuanto la máquina esté conectada al suministro eléctrico, se activará el LED. Esto proporciona al operador una indicación visual clara de que la máquina se ha conectado correctamente al suministro eléctrico y que, por tanto, tiene corriente y está lista para empezar las operaciones de corte.

Nota: en el conjunto de la luz LED no se han incorporado piezas que requieran mantenimiento por parte del usuario y la dirección del rayo está ajustada de fábrica. La cubierta protectora de la lente se debe mantener limpia de polvo, etc. (consulte la sección de Mantenimiento) para asegurar que se mantiene el máximo brillo del rayo proyectado.

ADVERTENCIA: limpie solamente la cubierta de la lente con la máquina desconectada del suministro eléctrico y la hoja completamente inmóvil.

AYUDAS DE CORTE INTEGRALES

Todas las sierras circulares Evolution están equipadas con varias guías o ayudas de corte diseñadas para ayudar al operador a lograr cortes precisos y rápidos de forma segura.

Nota: no todas las siguientes características aparecerán en cada máquina.

Línea de 0° y 45° de las guías de corte (Fig. 28)

En el borde delantero de la placa base de la máquina hay dos (2) muescas pequeñas, que en algunas máquinas están identificadas con un número de ángulo. Estas muescas indican la posición de la hoja al salir de la pieza de trabajo cuando se ha ajustado el ángulo de inclinación del bisel a 0° (hoja vertical) con un ángulo de 45°.

Parte delantera de la guía de la hoja (Fig. 29)

Nota: las máquinas Evolution compatibles con la

vía de corte Evolution tienen una muesca situada en el borde derecho (RH) de la pieza fundida de la placa base.

Esta muesca indica la posición del borde delantero de la hoja cuando se ajusta la hoja con la máxima profundidad de corte. Esta característica se puede usar al colocar y posicionar la sierra sobre una vía de corte.

ADVERTENCIA: es importante que la protección inferior de la hoja y la hoja no toquen ninguna superficie de la pieza de trabajo durante el posicionamiento inicial de la sierra en la vía de corte.

Guías de regla (Fig. 30)

Las guías de regla están presentes en algunas sierras circulares Evolution. Están situadas a lo largo de los bordes frontales y/o laterales de la placa base.

Estas guías pueden proporcionar una posición o predicción aproximada útil de la hoja de la sierra en la pieza de trabajo.

AJUSTES ESPECIALIZADOS

Su máquina Evolution tiene muchos componentes y ajustes de precisión, la mayoría de los cuales están ajustados y configurados de fábrica para asegurar una precisión consistente a largo plazo.

Probablemente nunca será necesario el mantenimiento y ajuste de estos componentes o ajustes. Si se considera que es necesario efectuar trabajos de mantenimiento o ajustes (después de un uso considerable), Evolution recomienda ponerse en contacto con el número de teléfono de servicio técnico para obtener más consejo y orientación.

Nota: ciertos procedimientos de ajuste solo son posibles con acceso a conocimiento específico y/o equipo especializado.

(17) CONSEJOS PARA CORTAR

ADVERTENCIA: El operario siempre debe ser consciente de la posición y el movimiento del cable de alimentación. El cable se debe orientar de modo que no exista posibilidad de que la hoja entre en contacto con el cable de alimentación de red.

El cable no debe suponer un peligro de caída (o de otro tipo) para el operario ni para cualquier

persona presente.

- No fuerce la máquina.
- Permita que la velocidad de la hoja haga el trabajo. No mejorará la realización de un corte aplicando fuerza excesiva en la máquina. Esto reducirá el tiempo de vida útil de la hoja.
- Al usar un carril guía paralelo, asegúrese de que está paralelo a la hoja. Puede dañar la hoja o el motor si utiliza la máquina con un ajuste incorrecto del carril guía paralelo.
- Coloque el borde frontal de la placa base directamente sobre la pieza de trabajo. Antes de encender el motor, asegúrese de que la hoja no está en contacto con la pieza de trabajo.
- Cuando inicie un corte, tenga cuidado de introducir la hoja en el material lentamente para no dañar los dientes de la hoja.

Nota: En el borde frontal de la placa base de la máquina CCSL hay dos (2) líneas de corte guía (solo para ángulos de bisel de 0° y 45°).

- Utilice las dos manos para mover la sierra hacia delante a través de la pieza de trabajo.
- Aplique presión suave y constante para mover la sierra hacia delante a través de la pieza de trabajo.

Nota: Todas las máquinas de la serie CCS tienen una protección inferior automática de la hoja con un borde delantero de guía con una forma especial. Esta característica asegura que la protección de la hoja se retraiga con suavidad y sin esfuerzo cuando la hoja de la máquina penetra en la pieza de trabajo. A medida que la hoja sale de la pieza de trabajo, la protección inferior de la hoja regresará automáticamente a su posición normal cubriendo la hoja completamente.

Nota: En algunas ocasiones, por ejemplo al hacer un corte de inmersión en una pared o suelo, etc., puede ser ventajoso retraer manualmente la protección inferior de la hoja.

Se proporciona una palanca operada mediante el pulgar en la protección inferior de la hoja. Un operario puede retraer la protección de la hoja manualmente con cuidado, o bien en su totalidad o en parte, permitiendo realizar cortes de inmersión.

ADVERTENCIA: Si se retrae la protección de la hoja manualmente, hay que tener mucho cuidado

para asegurar que la mano y los dedos de los operarios no tocan ninguna parte de la hoja de la máquina.

Cuando se ha completado un corte:

- Suelte el gatillo interruptor ON/OFF.
- Permita que la hoja se detenga completamente.
- Retire la máquina de la pieza de trabajo, permitiendo que la protección de la hoja vuelva a su posición normal cubriendo la hoja.

ADVERTENCIA: Si el motor se apaga o se cala mientras intenta realizar un corte suelte el gatillo interruptor de inmediato. Desconecte la máquina del suministro eléctrico y retire la máquina de la pieza de trabajo. Investigue la causa del problema y rectifíquela si es posible.

Intente reiniciar el motor solamente si está completamente seguro de que es seguro hacerlo.

PUERTO DE EXPULSIÓN DEL MATERIAL DE CORTE

ADVERTENCIA: no use el saco captapolvo ni el adaptador del puerto de polvo al cortar materiales metálicos, incluyendo madera con clavos.

(18) MANTENIMIENTO Y AJUSTES

Se puede ajustar la posición (vertical de la hoja) de 0°.

ADVERTENCIA: Se debe desconectar la máquina de la red eléctrica al intentar este procedimiento.

Para comprobar la posición de 0°:

- Ponga la hoja en la posición de 0° con el mecanismo de inclinación contra su parada.
- Compruebe la hoja respecto a la placa base usando una escuadra de precisión de ingeniero (no suministrada). Asegúrese de evitar las puntas de TCT de los dientes. La hoja debería tener exactamente un ángulo de 90° respecto a la placa base.

Nota: Se debe girar (manualmente) hacia arriba la protección inferior de la hoja dentro de la protección superior de la hoja. Esto ayudará a posicionar de forma precisa la escuadra de ingeniero y al proceso de comprobación. Si se requiere el ajuste:

R165CCSL y 185CCS

Gire el tornillo de ajuste (**Fig. 31**) en sentido

horario o antihorario mediante una llave hexagonal de 4mm (no suministrada) hasta que la hoja esté con un ángulo de exactamente 90° respecto a la placa base.

R185CCSX y 185CCSX+

Gire los tornillos de ajuste (**Fig. 32**) en sentido horario o antihorario mediante una llave hexagonal de 3 mm (no suministrada) hasta que la hoja esté con un ángulo de exactamente 90° respecto a la placa base.

Para comprobar la posición de 45° (R185CCSX y 185CCSX+):

- Ponga la hoja en la posición de 45° con el mecanismo de inclinación contra su parada.
- Compruebe la hoja respecto a la placa base usando una escuadra de precisión de ingeniero (no suministrada). Asegúrese de evitar las puntas de TCT de los dientes. La hoja debería tener exactamente un ángulo de 45° respecto a la placa base.

Gire los tornillos de ajuste (**Fig. 33**) en sentido horario o antihorario mediante una llave hexagonal de 3 mm (no suministrada) hasta que la hoja esté con un ángulo de exactamente 45° respecto a la placa base.

(19) COMPROBACIÓN/RECAMBIO DE LAS ESCOBILLAS DE CARBONO

ADVERTENCIA: Desconecte la máquina de la fuente de alimentación antes de comprobar o sustituir las escobillas de carbón.

Nota: Cambie ambas escobillas de carbón si alguna de ellas tiene menos de 6 mm de carbón restante, o si el muelle o cable está dañado o quemado.

Para retirar las escobillas:

- Desenrosque los tapones de plástico situados en la parte trasera de la carcasa del motor. (**Fig. 34**) Tenga cuidado, ya que los tapones están colocados a presión.
- Retire las escobillas con sus muelles.
- Si es necesario cambiarlas, coloque escobillas nuevas y sustituya los tapones.

Nota: Las escobillas usadas que aún pueden utilizarse se pueden sustituir, pero solo si vuelven a colocarse en la misma posición y se colocan de la misma manera que cuando se retiraron de la máquina.

- Haga funcionar el motor de la máquina sin carga durante aproximadamente 5 minutos. Esto ayudará a «asentar» las nuevas escobillas y asegurará que el motor funcione de forma eficiente.
- Puede que se vean algunas chispas hasta que las escobillas se asienten completamente.

(20) MANTENIMIENTO GENERAL Y LIMPIEZA

Nota: cualquier actividad de mantenimiento se debe llevar a cabo con la máquina apagada y desconectada de la red de suministro de energía.

- Compruebe que todas las características de seguridad y las protecciones están funcionando correctamente de forma regular. Solo utilice esta máquina si las protecciones o características de seguridad funcionan por completo.
- Todos los cojinetes del motor de estas máquinas están lubricados de forma permanente. No es necesario volver a lubricarlos.

Utilice un paño limpio y ligeramente húmedo para limpiar las partes de plástico de la máquina. No utilice disolventes ni productos similares que podrían dañarlas.

Elimine el polvo u otros contaminantes de la cubierta de la lente del módulo LED.

ADVERTENCIA: No intente limpiar introduciendo objetos puntiagudos a través de las aberturas de las cubiertas de las máquinas, etc. Los conductos de ventilación se deben limpiar con aire comprimido seco.

Nota: El operario debe llevar todo el EPI necesario al usar aire seco comprimido como medio de limpieza.

(21) PROTECCIÓN MEDIOAMBIENTAL

Los productos eléctricos no se deben tirar con la basura doméstica. Recicle en los sitios destinados para este fin. Consulte con la autoridad local o el minorista para obtener información sobre el reciclaje.



DECLARACIÓN DE CONFORMIDAD DE LA CE



El fabricante del producto cubierto por esta declaración es el siguiente:

UK: Evolution Power Tools Ltd, Venture One, Longacre Close, Holbrook Industrial Estate, Sheffield, S20 3FR.

FR: Evolution Power Tools SAS, 61 Avenue Lafontaine, 33560, Carbon-Blanc, Bordeaux, France.

El fabricante declara que la máquina, tal como se detalla en la presente declaración, cumple todas las disposiciones pertinentes de la Directiva de Máquinas y otras directivas apropiadas, como se detalla a continuación.

El fabricante declara además, que la máquina, según se indica detalladamente en la presente declaración, en los casos en los que sea aplicable, cumple con las disposiciones pertinentes sobre los requisitos esenciales de seguridad y salud.

Las Directivas incluidas en esta declaración son las que se detallan a continuación:

2006/42/CE.	Directiva de máquinas.
2014/30/UE.	Directiva de Compatibilidad Electromagnética.
2011/65/EU. & 2015/863/EU.	Directiva sobre las restricciones a la utilización de determinadas sustancias peligrosas en aparatos eléctricos y electrónicos.
2012/19/UE.	La directiva de Residuos de Aparatos Eléctricos y Electrónicos (WEEE).

Y está en conformidad con los requisitos aplicables de los siguientes documentos:

EN 62841-1: 2015 • EN 62841-2-5: 2014 • EN 55014-1: 2017 • EN 55014-2: 2015
EN 61000-3-2: 2014 • EN 61000-3-3: 2013 (110V models) • EN 61000-3-11: 2000 (220-240V models) • IEC 62321-1.0: 2008

Detalles del producto

Descripción:	Sierra circular R165CCSL 165 mm (6-1/2")
N.º de modelo:	026-0001 / 026-0002 / 026-0003
Descripción:	Sierra circular R185CCS 185 mm (7-1/4")
N.º de modelo:	027-0001C / 027-0002C / 027-0003C
Descripción:	Sierra circular R185CCSX 185 mm (7-1/4")
N.º de modelo:	027-0001 / 027-0002 / 027-0003
Descripción:	Sierra circular R185CCSX+ 185 mm (7-1/4")
N.º de modelo:	027-0001A / 027-0002A / 027-0003A

Marca comercial:	EVOLUTION POWER TOOLS LIMITED
Voltajes:	110 V / 220-240 V ~ 50 Hz
Entrada:	R165CCSL - 1 200 W R185CCS, R185CCSX & R185CCSX+ - 1 600 W

La documentación técnica necesaria para demostrar que el producto cumple con los requisitos de la directiva se ha elaborado y está disponible para su inspección por las autoridades pertinentes, y verifica que nuestro archivo técnico contiene los documentos enumerados anteriormente y que estas son las regulaciones normales para el producto, como se detalla antes.

Nombre y dirección del titular de la documentación técnica.

Firmado:  Impresión: Barry Bloomer
 Director de adquisiciones y cadena de suministro
 Fecha: 01/06/2018

UK: Evolution Power Tools Ltd, Venture One, Longacre Close, Holbrook Industrial Estate, Sheffield, S20 3FR.

FR: Evolution Power Tools SAS, 61 Avenue Lafontaine, 33560, Carbon-Blanc, Bordeaux, France.

evOLUTION®

evolutionpowertools.com

AUS

Total Tools (Importing) Pty Ltd
20 Thackray Road
Port Melbourne
Vic 3207

T: 03 9261 1900

FR

Evolution Power Tools SAS
61 Avenue Lafontaine
33560, Carbon-Blanc
Bordeaux

T: +33 (0)5 57 30 61 89

UK

Evolution Power Tools Ltd
Venture One, Longacre Close
Holbrook Industrial Estate
Sheffield, S20 3FR

T: +44 (0)114 251 1022

USA

Evolution Power Tools LLC
8363 Research Drive
Davenport, IA
52806

T: +1-833-MULTI-SAW (Toll Free)

DE +44 (0)114 251 1022

ES +34 91 114 73 85

NL +44 (0)114 251 1022

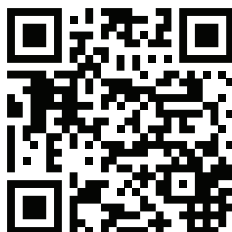
PL +48 33 821 0922

PT +34 91 114 73 85

RO +44 (0) 114 2050458

RU +7 499 350 67 69

TR +90 (0) 312 9001810



EPT QR CODE

V6 - BK6