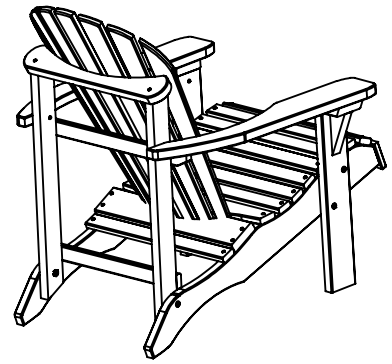
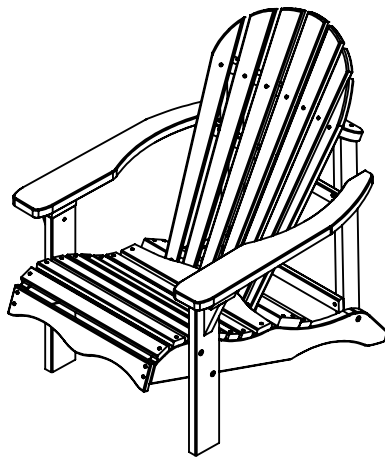
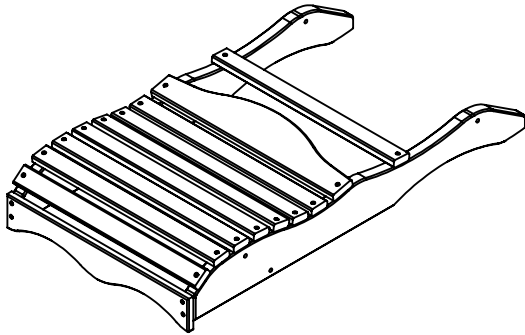


# 253160

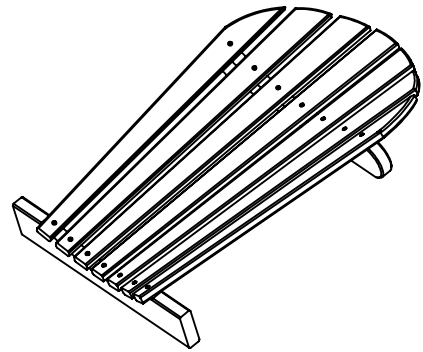


**1**



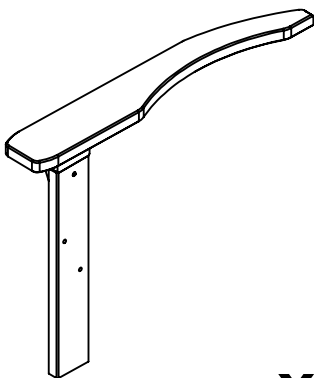
**x1**

**2**



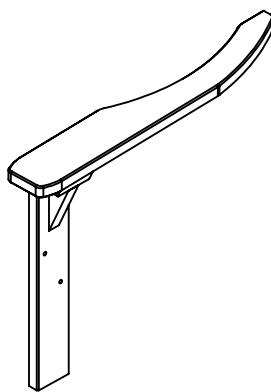
**x1**

**3**



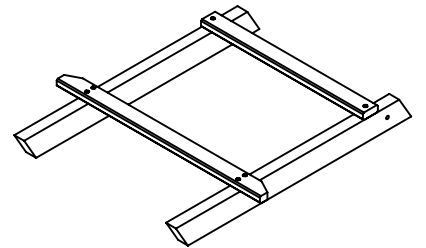
**x1**

**4**



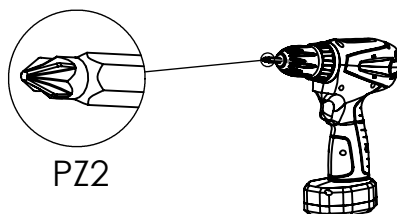
**x1**

**5**

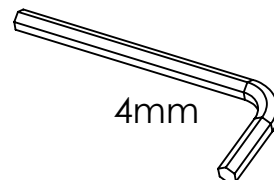


**x1**

<b>A</b>		<b>M6x60</b>	<b>x6</b>
<b>B</b>		<b>M6</b>	<b>x6</b>
<b>C</b>		<b>4x50</b>	<b>x8</b>

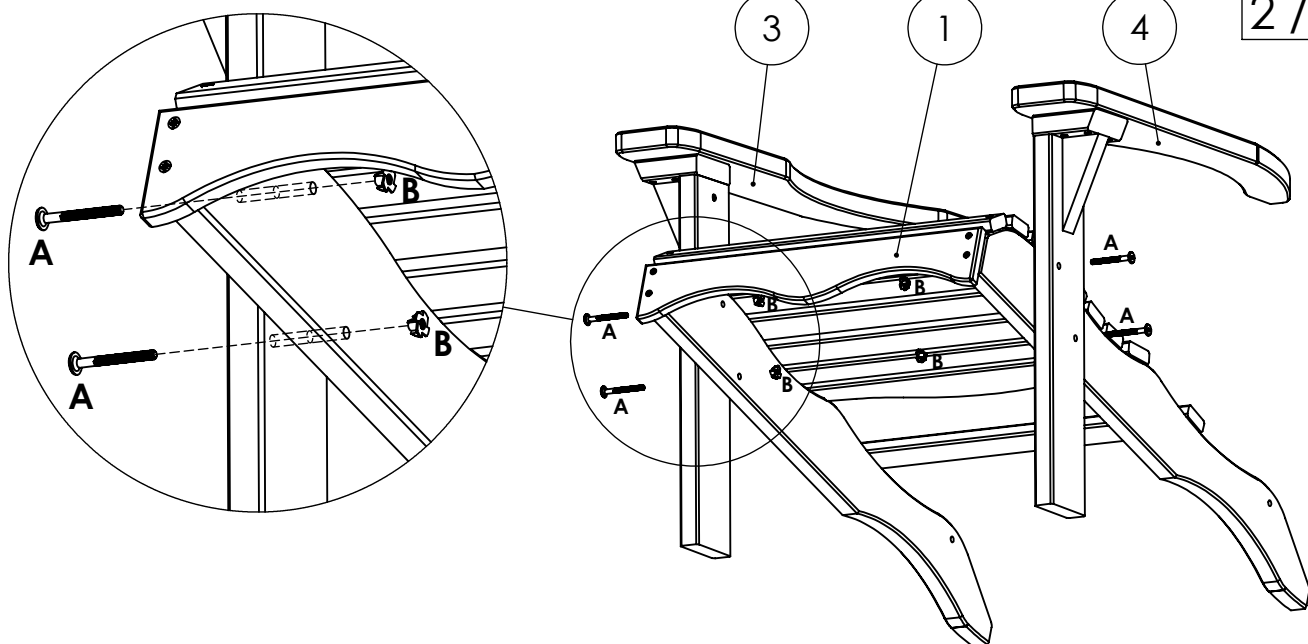


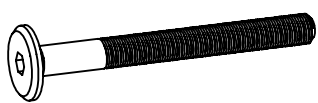

PZ2



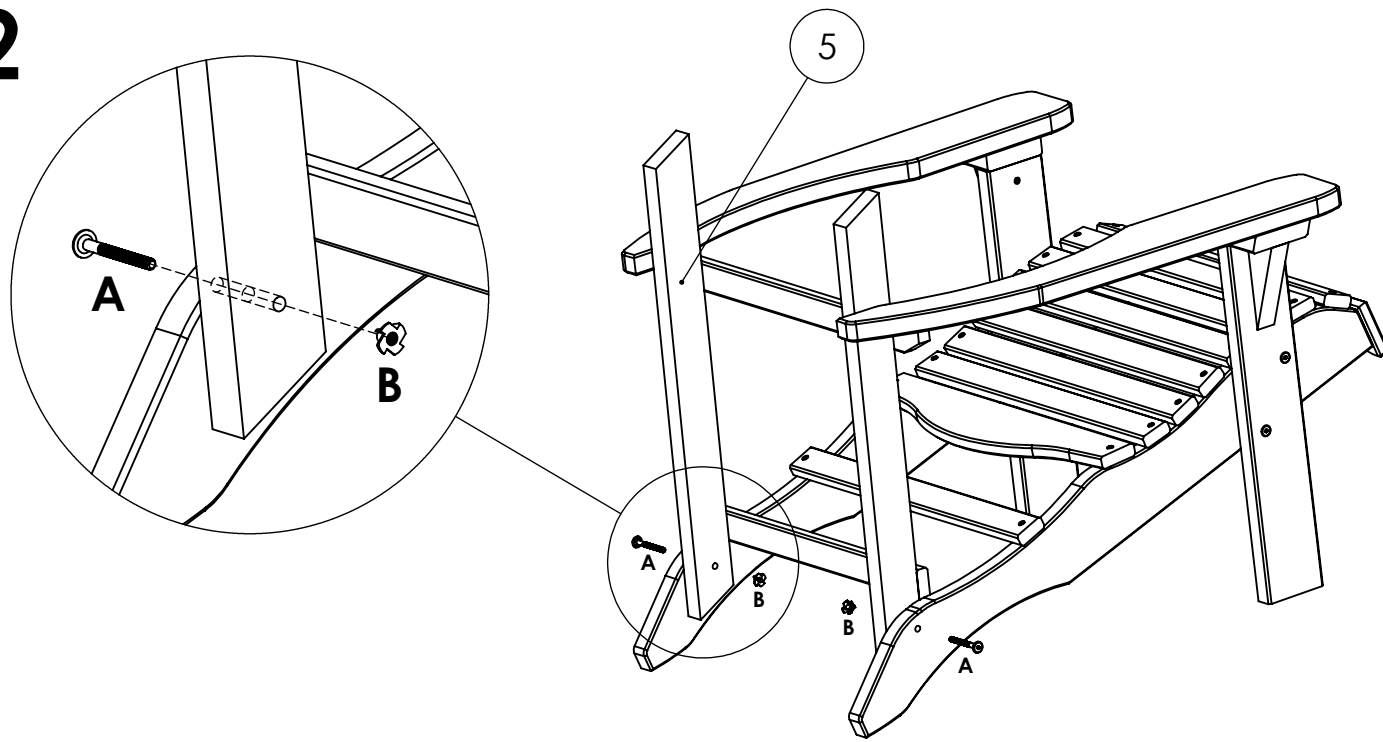
4mm

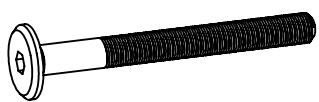

# 1

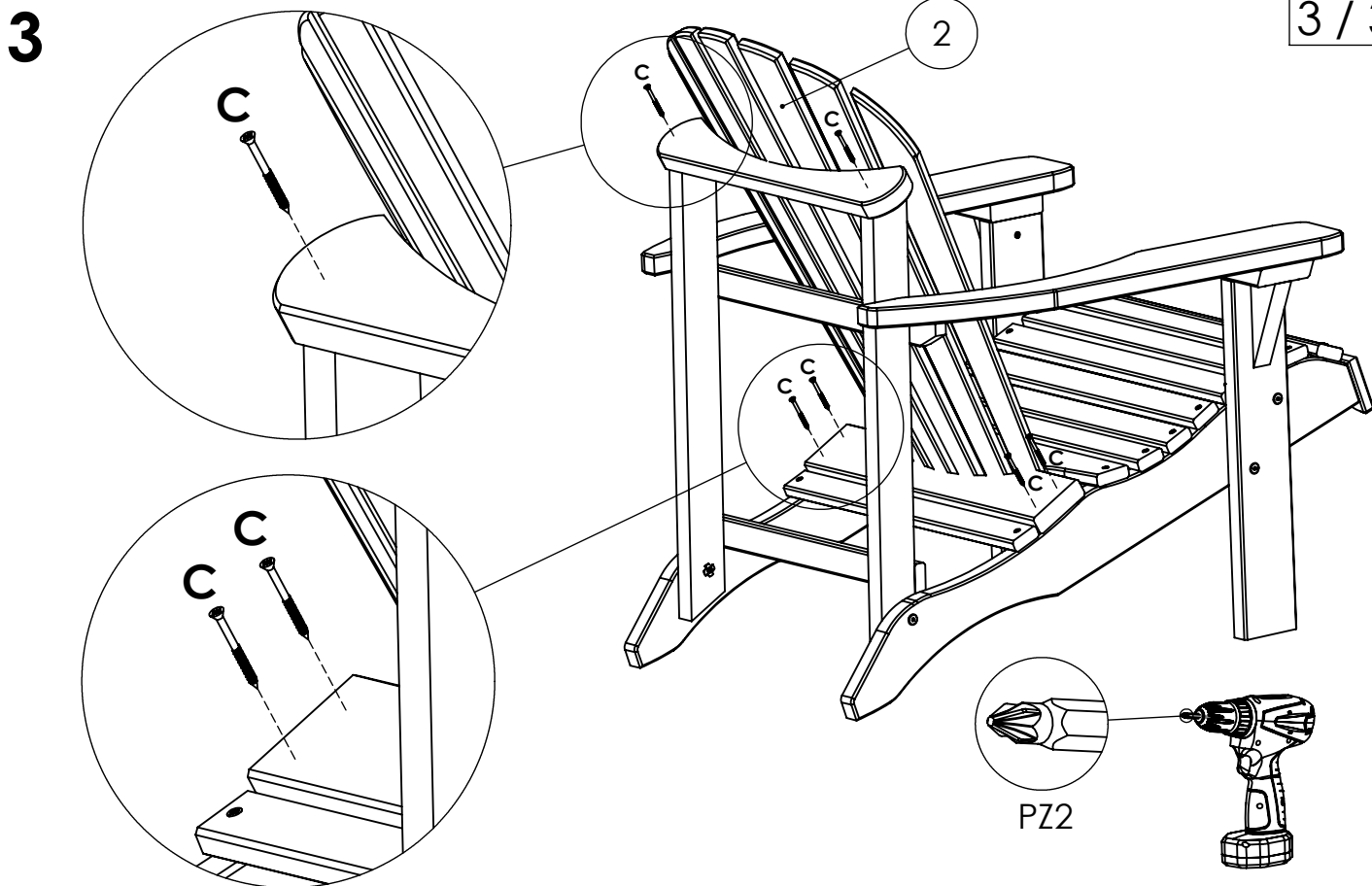


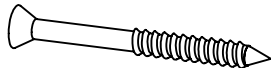
<b>A</b>		<b>M6x60</b>	<b>x4</b>
<b>B</b>		<b>M6</b>	<b>x4</b>

# 2

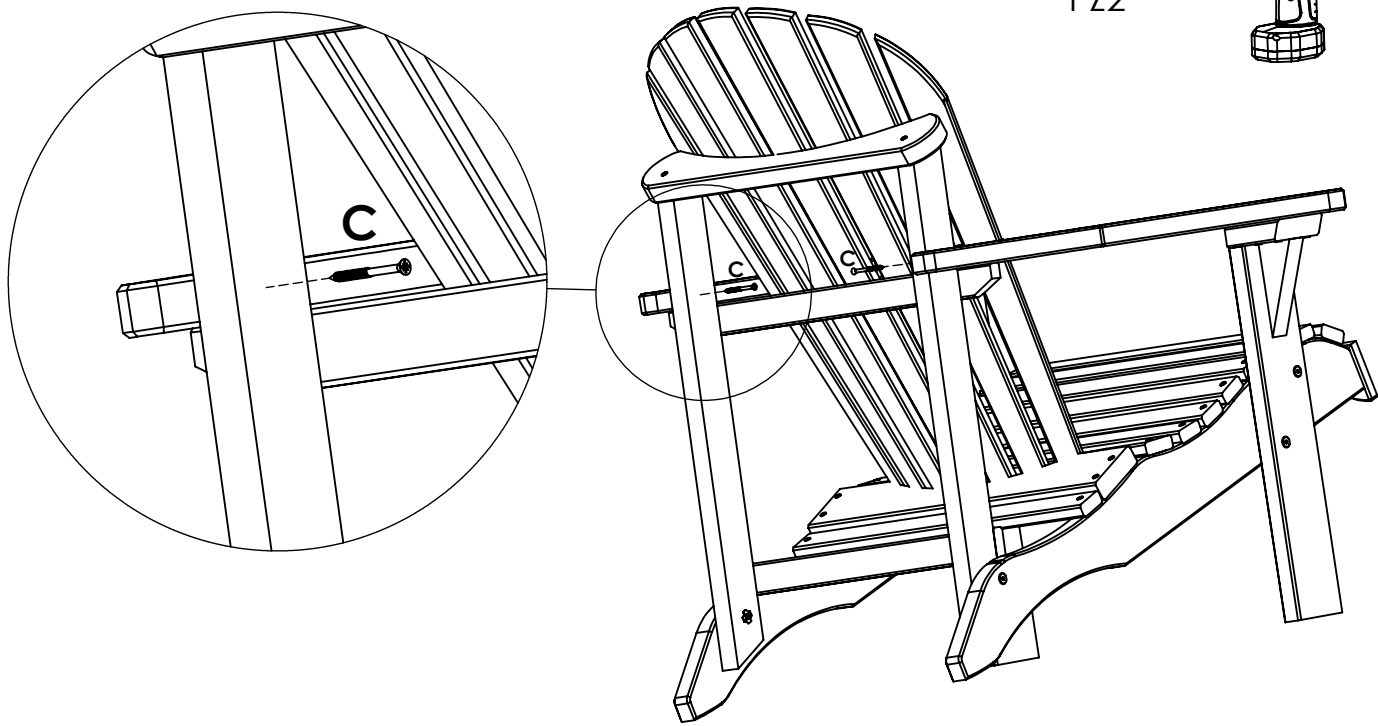
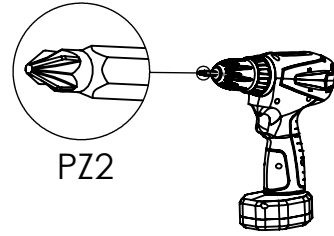


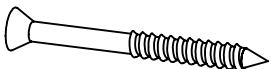
<b>A</b>		<b>M6x60</b>	<b>x2</b>
<b>B</b>		<b>M6</b>	<b>x2</b>



<b>C</b>		<b>4x50</b>	<b>x6</b>
----------	--	-------------	-----------

**4**



<b>C</b>		<b>4x50</b>	<b>x2</b>
----------	---	-------------	-----------