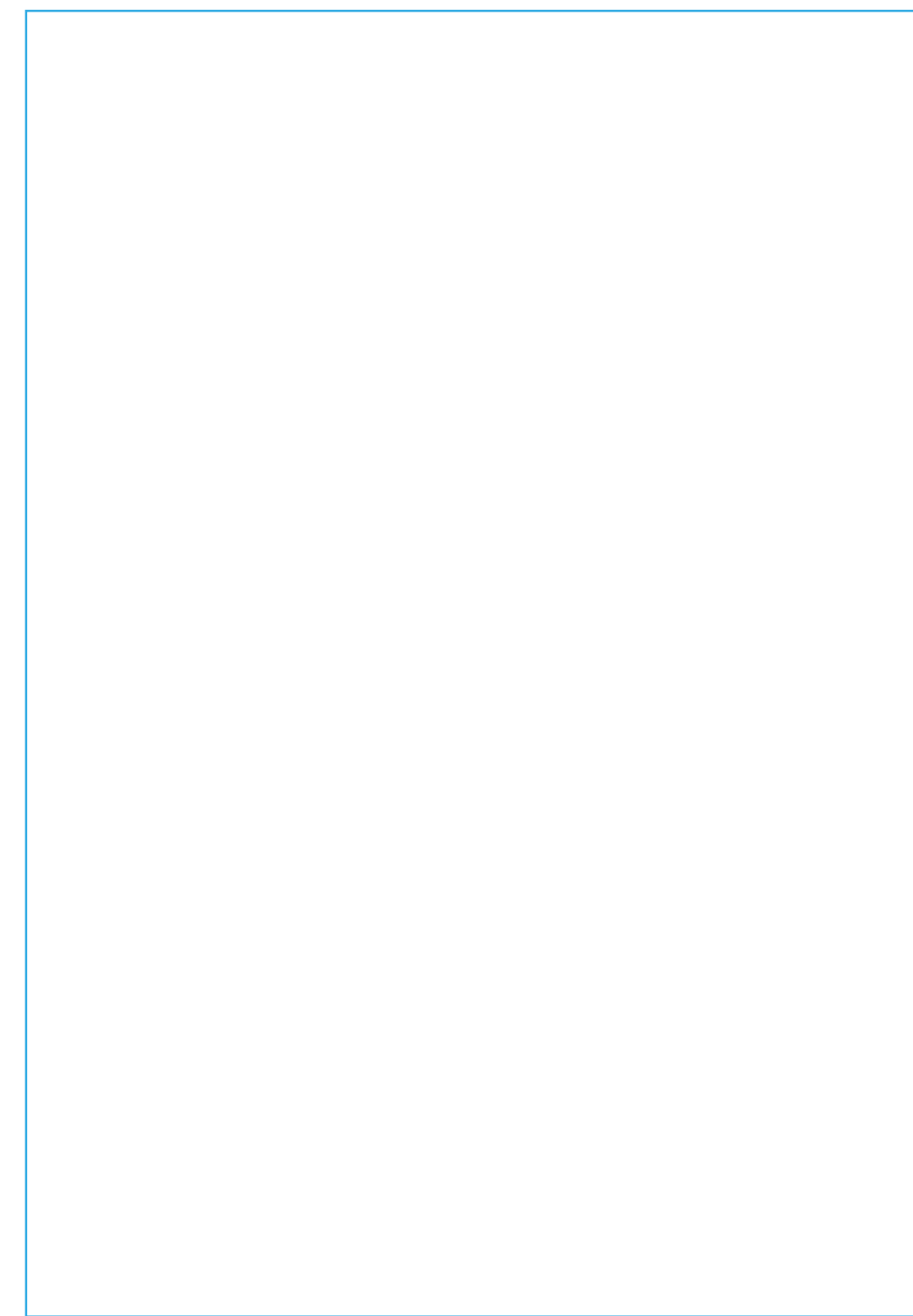


inspire **5 YEARS** **VIZZINI**
 100% RECYCLED MATERIALS

2.0

● Manual d'Instructions ● Εγχειρίδιο Οδηγών ● Anleitung Handbuch
 ● Manual de Instruções ● Инструкція встановлення ● Инструкции по монтажу
 ● Manual de Instruções ● Инструкція встановлення ● Инструкции по монтажу

● Technical specifications ● Технические характеристики ● Technische gegevens
 ● Technische gegevens ● Технические характеристики ● Technische gegevens



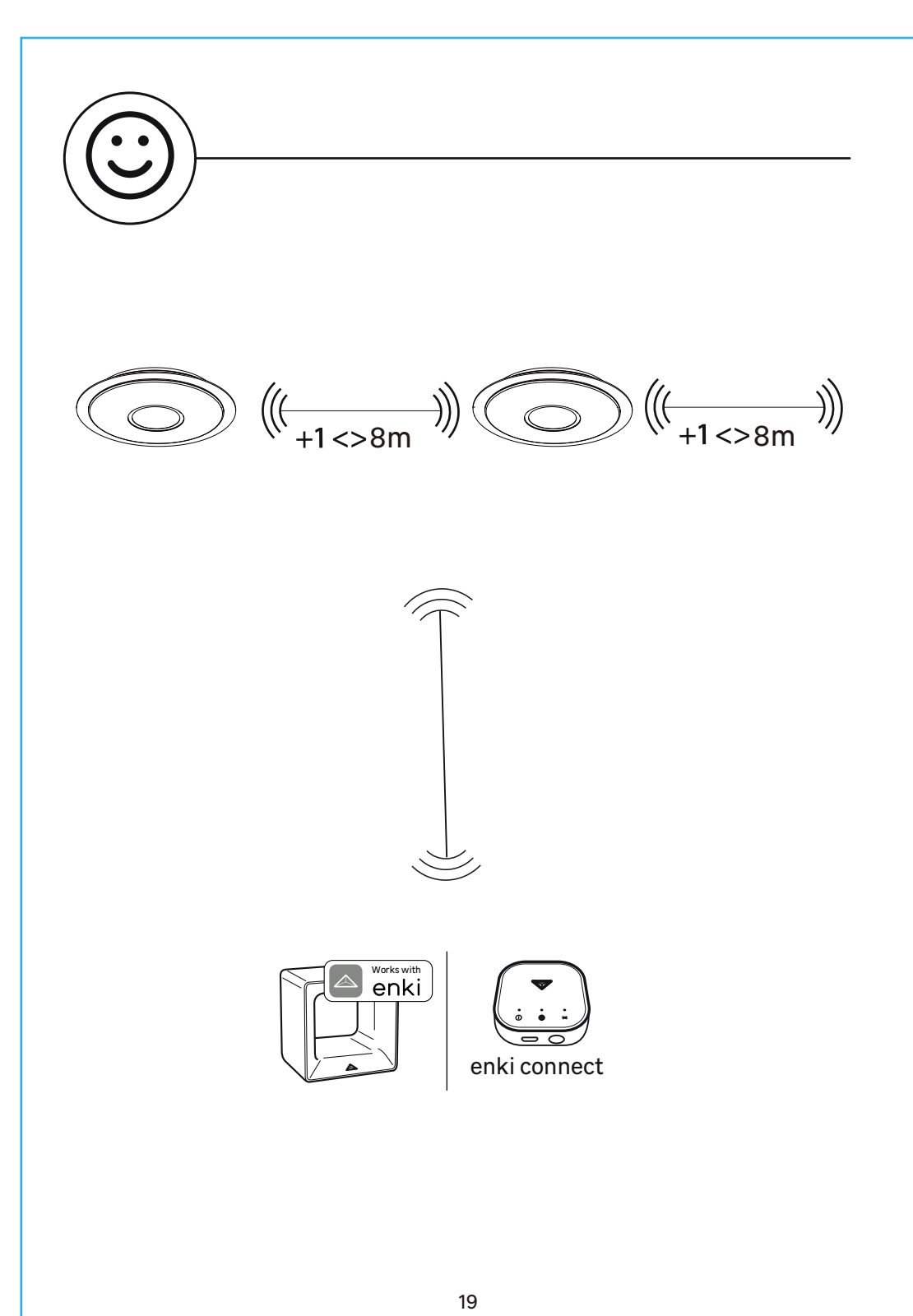
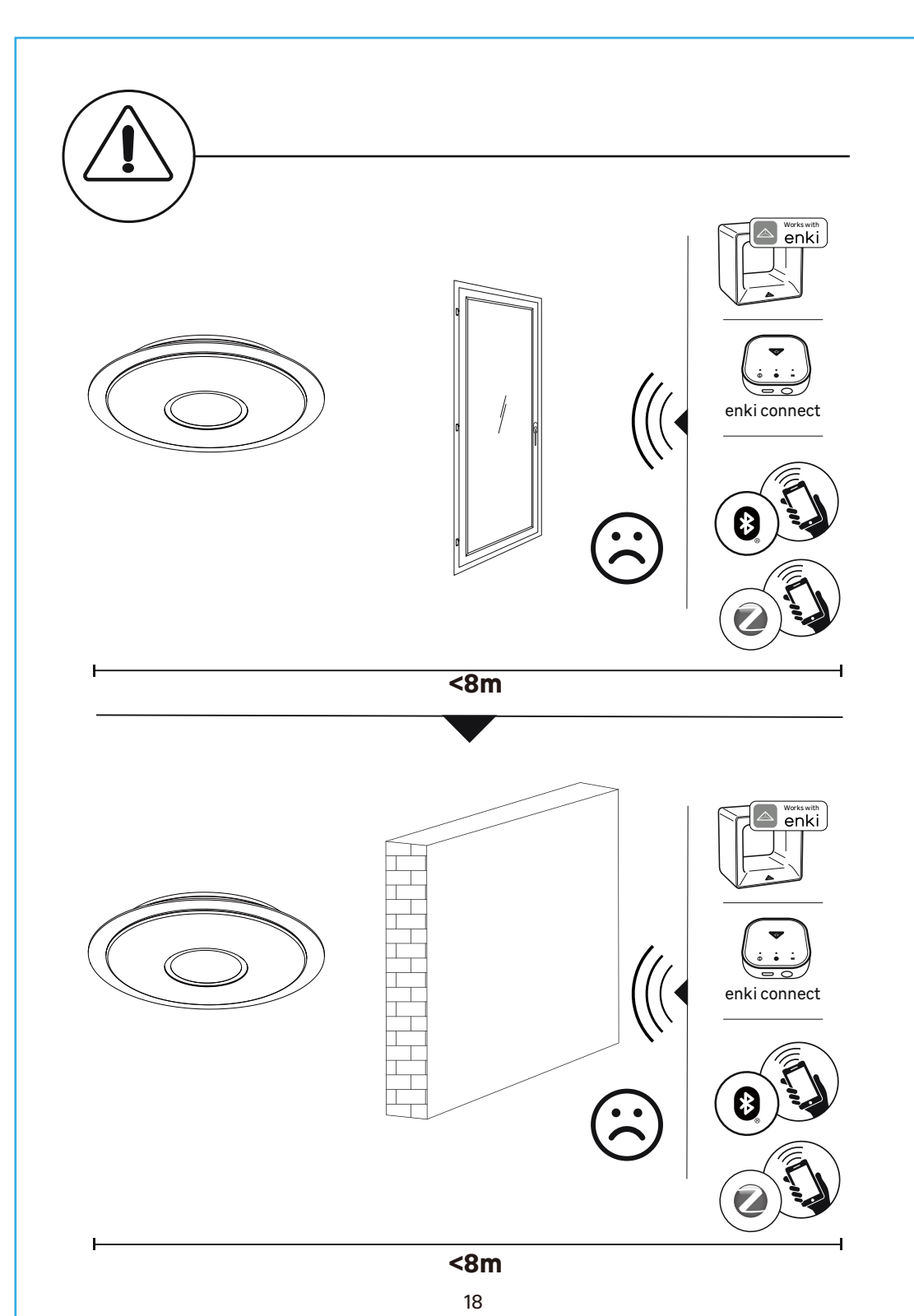
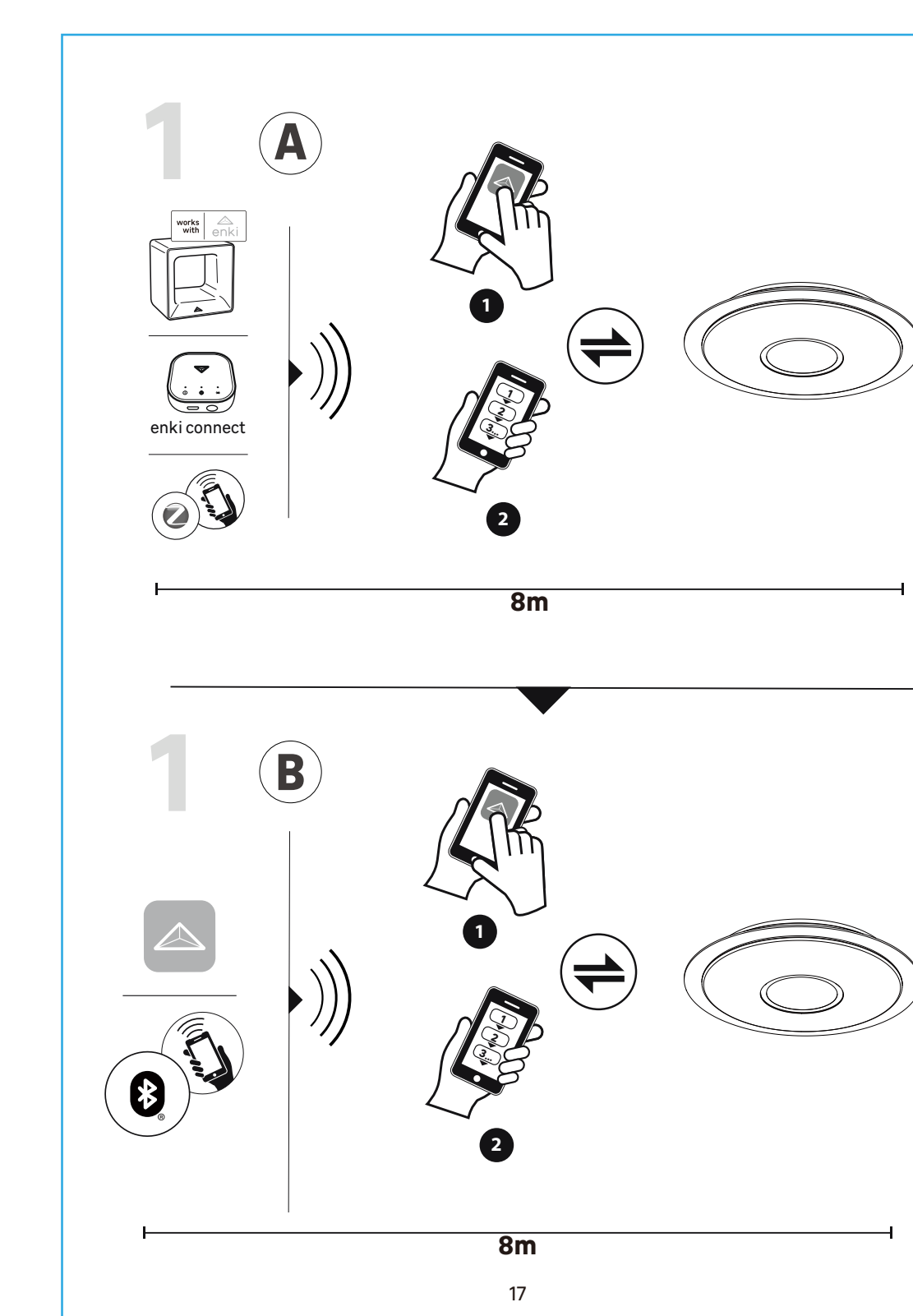
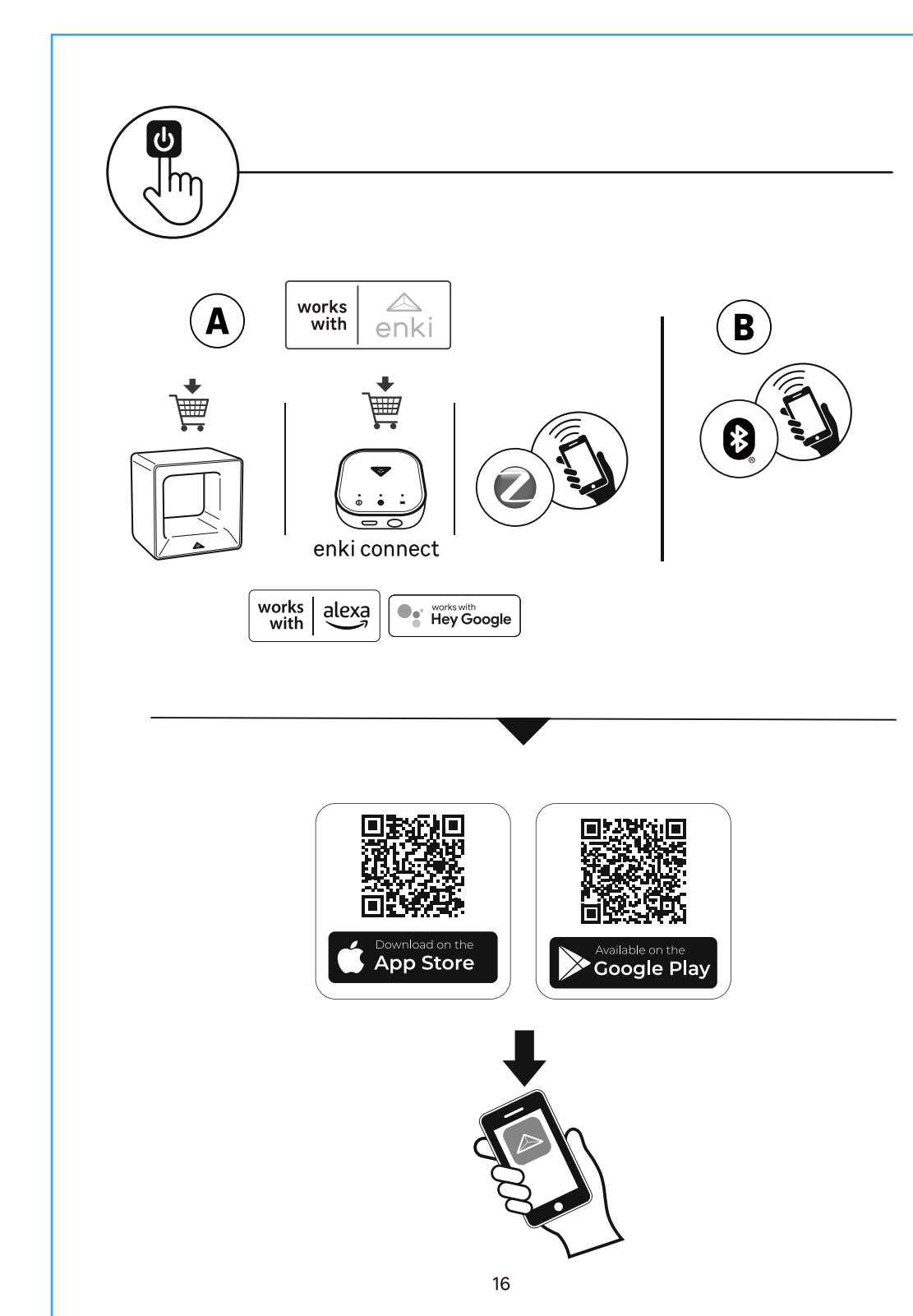
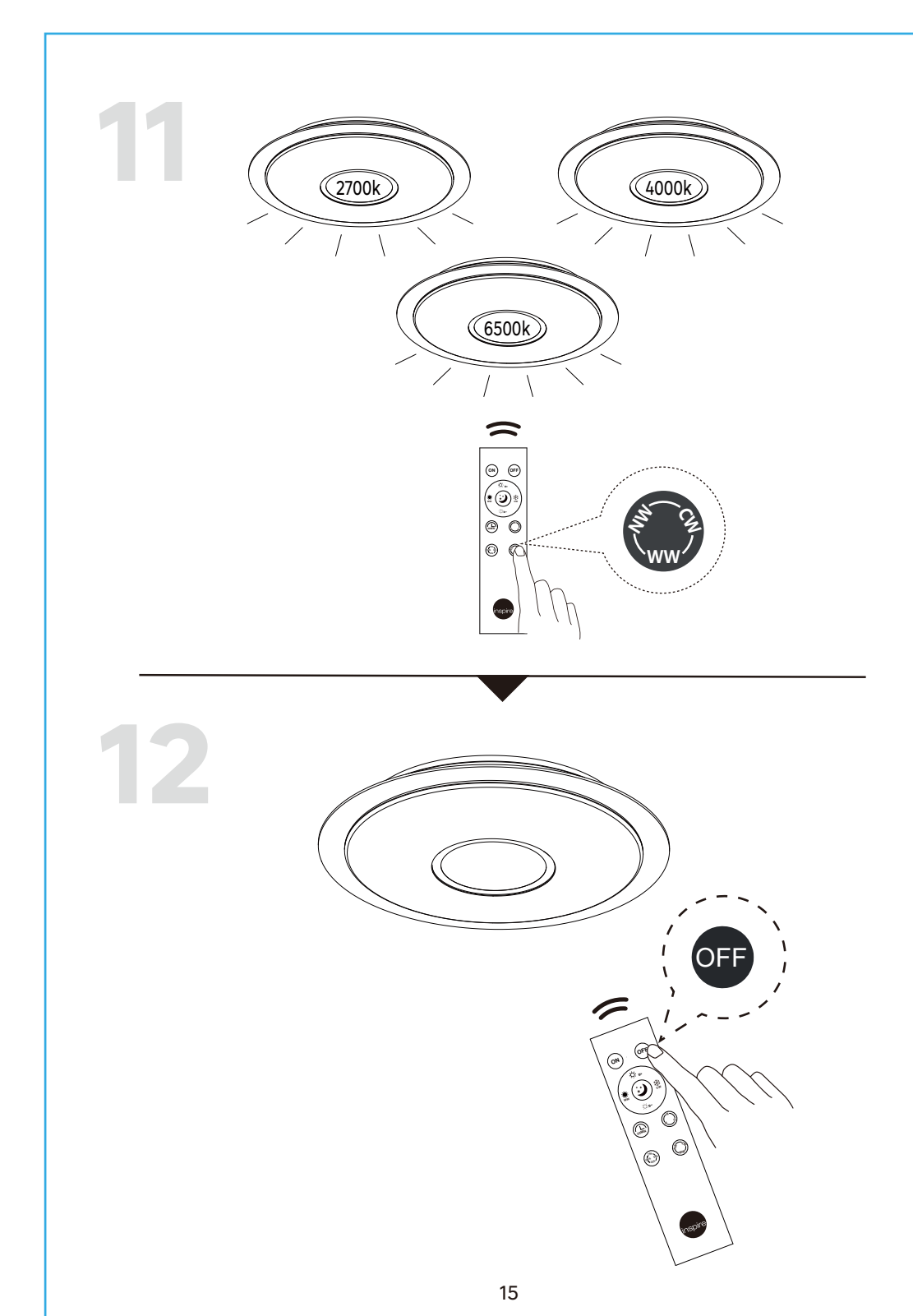
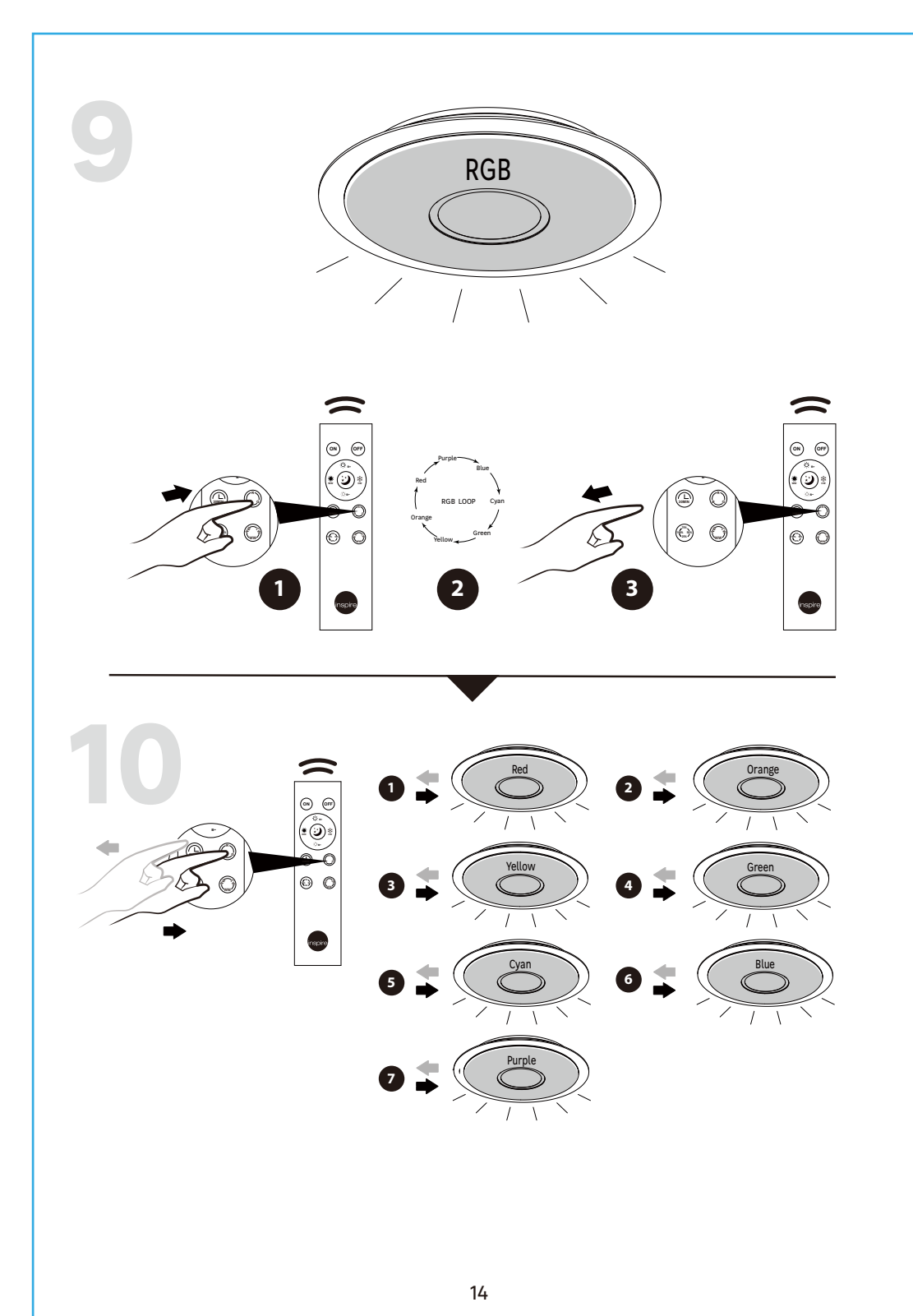
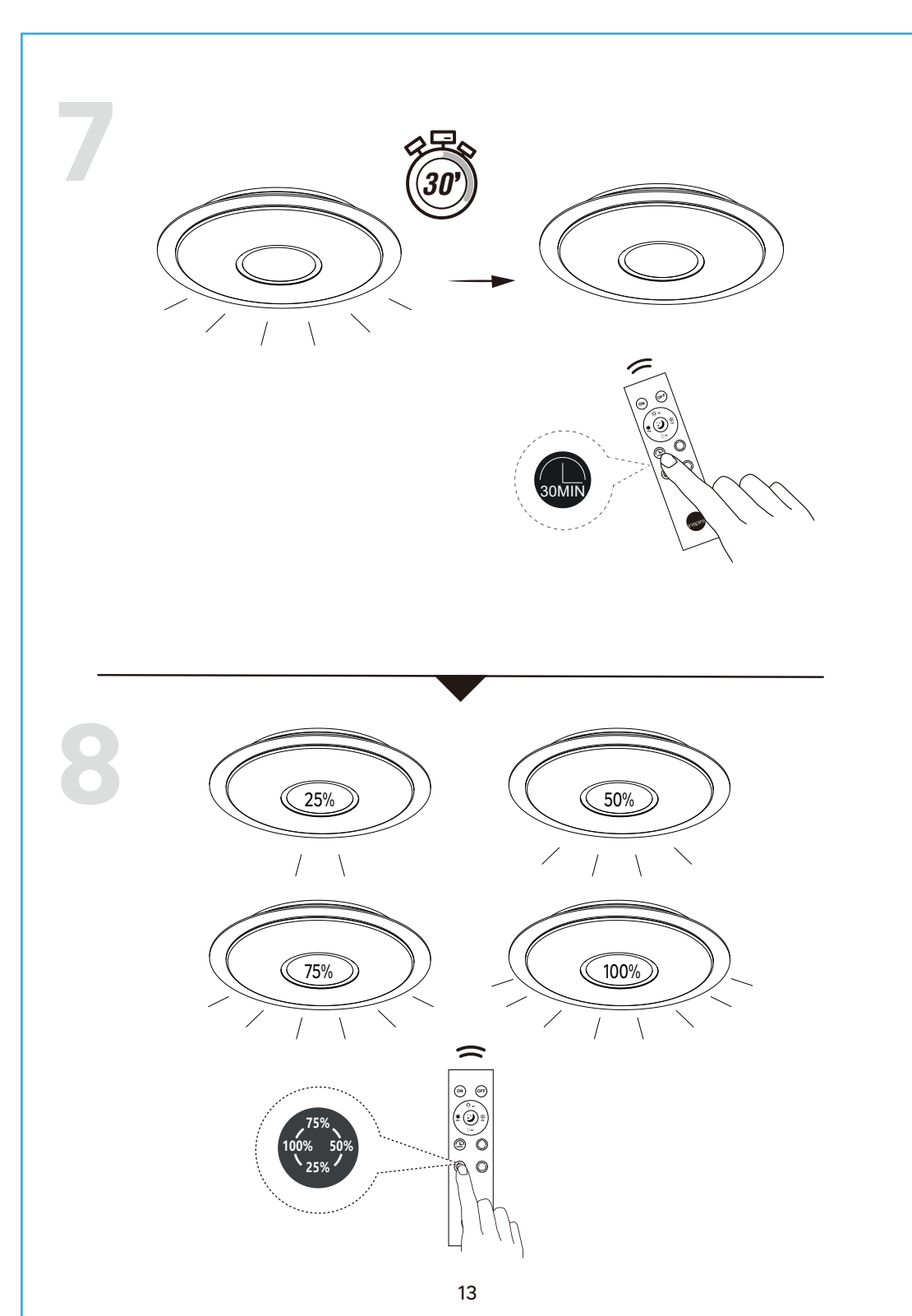
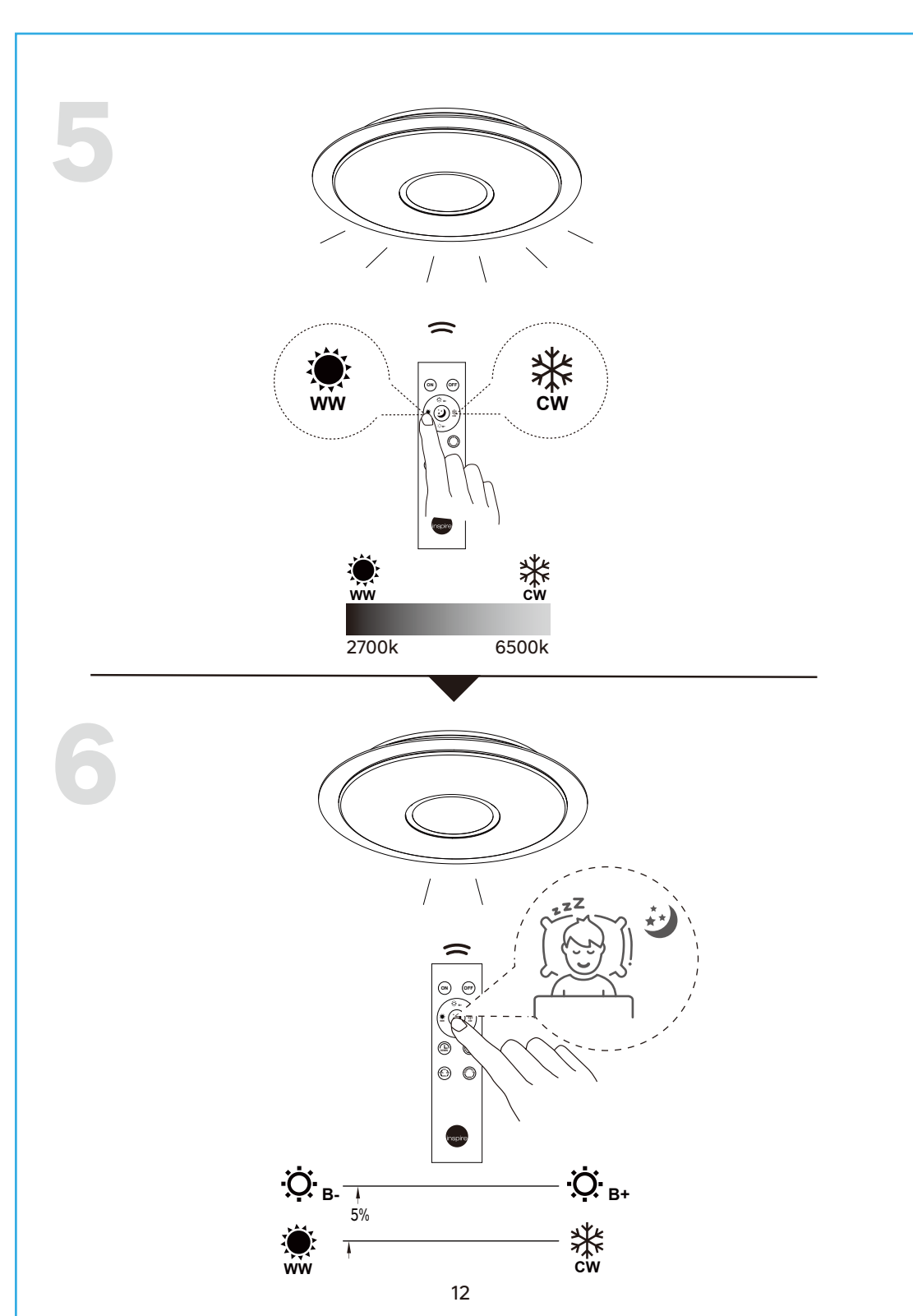
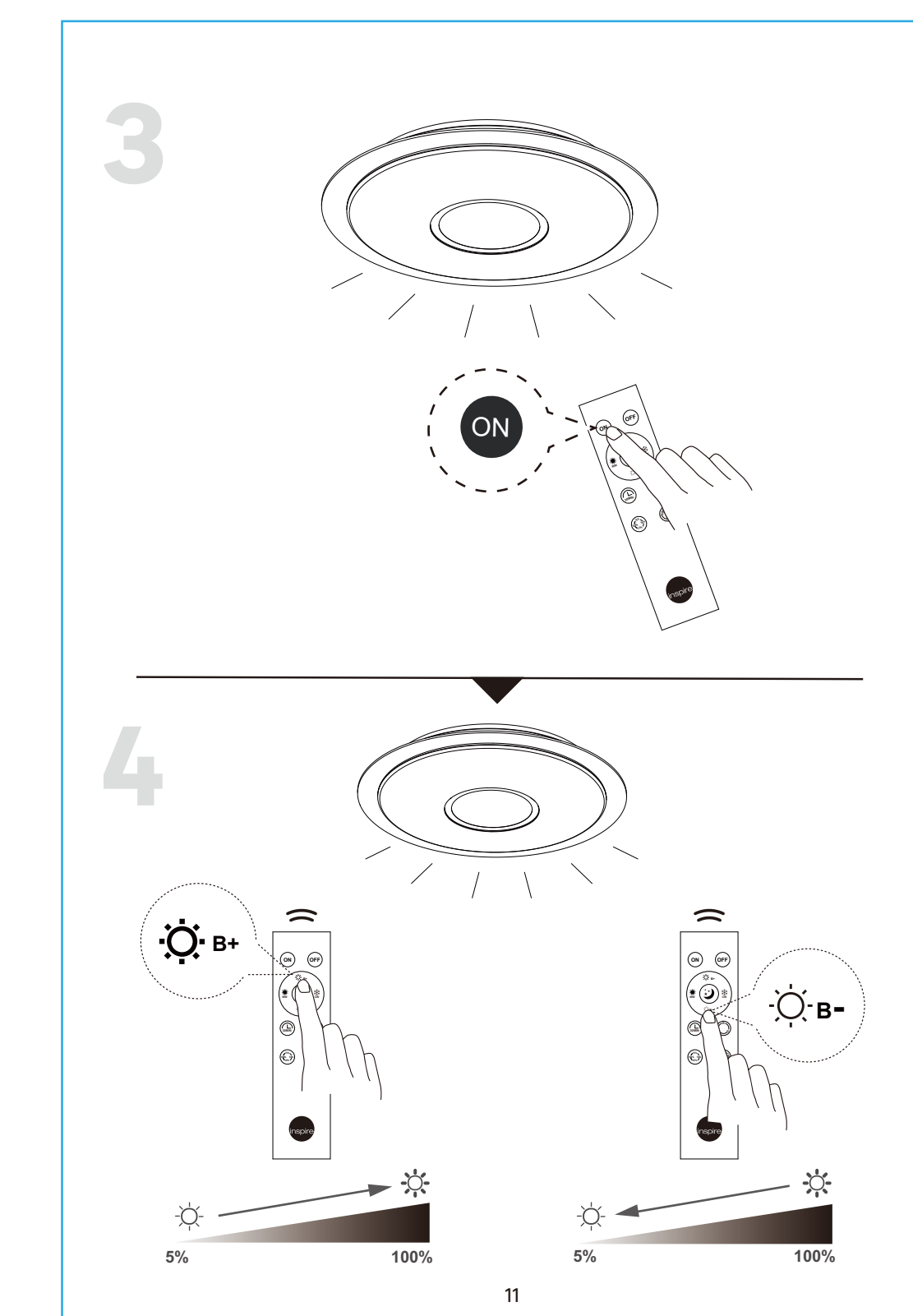
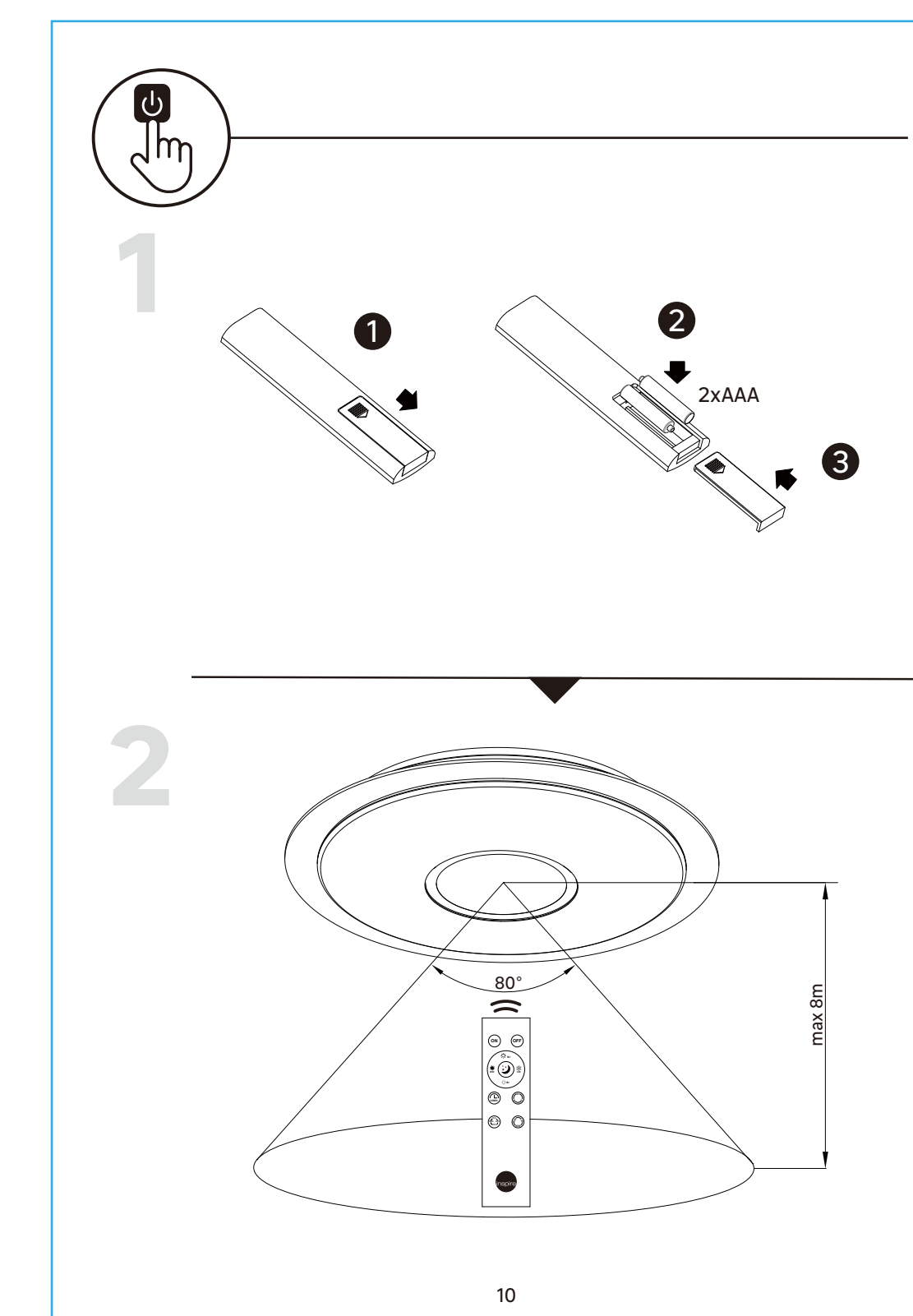
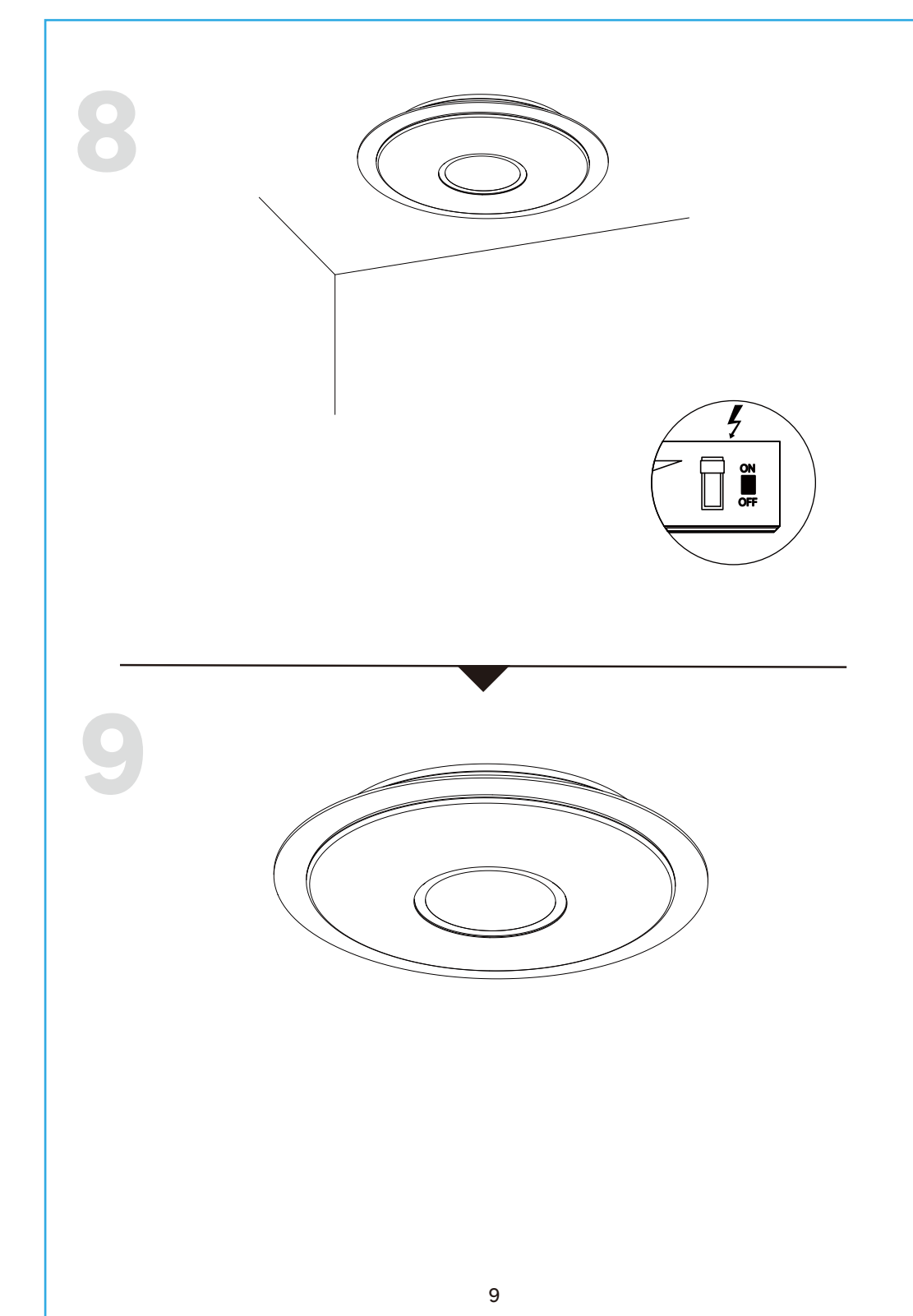
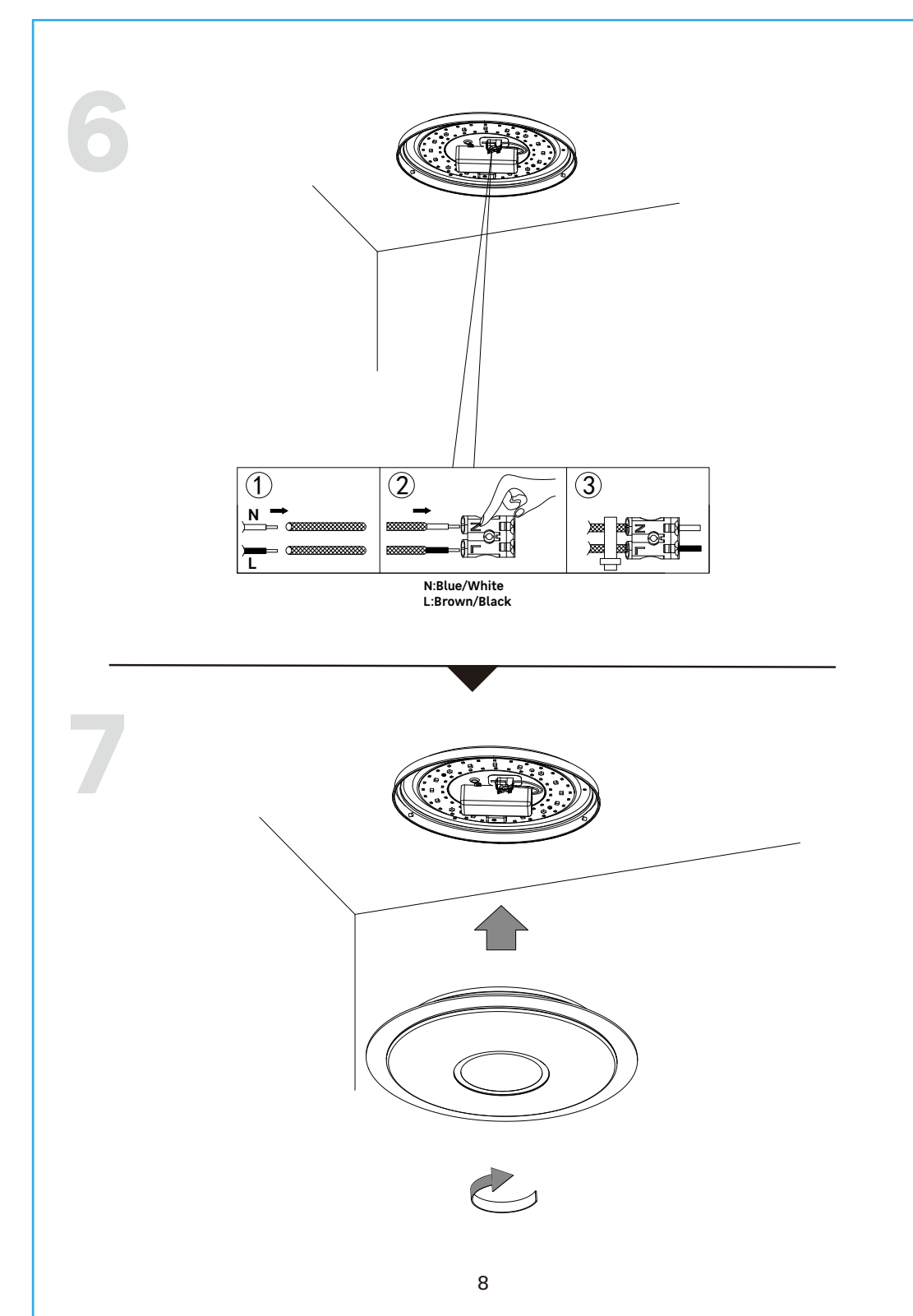
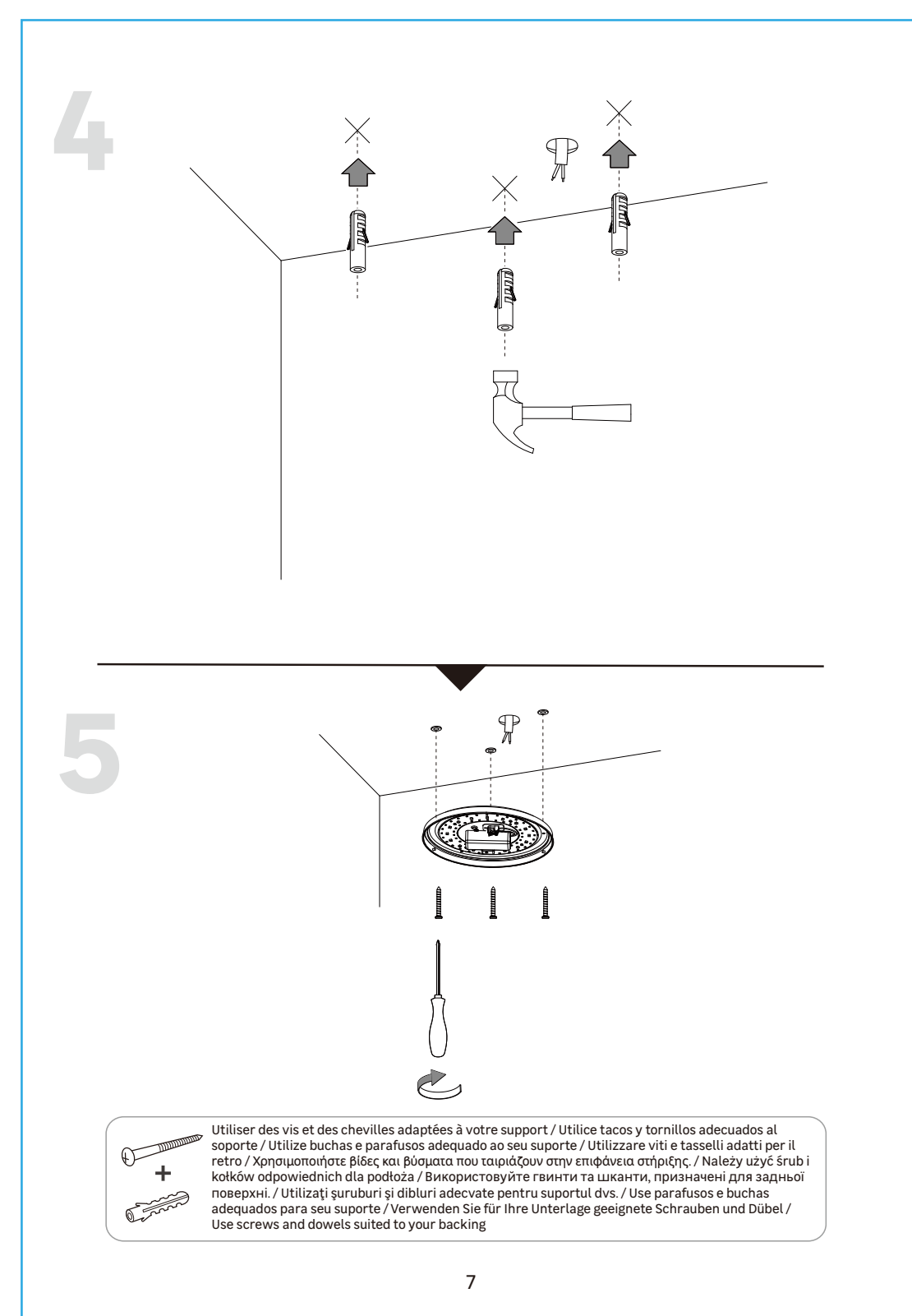
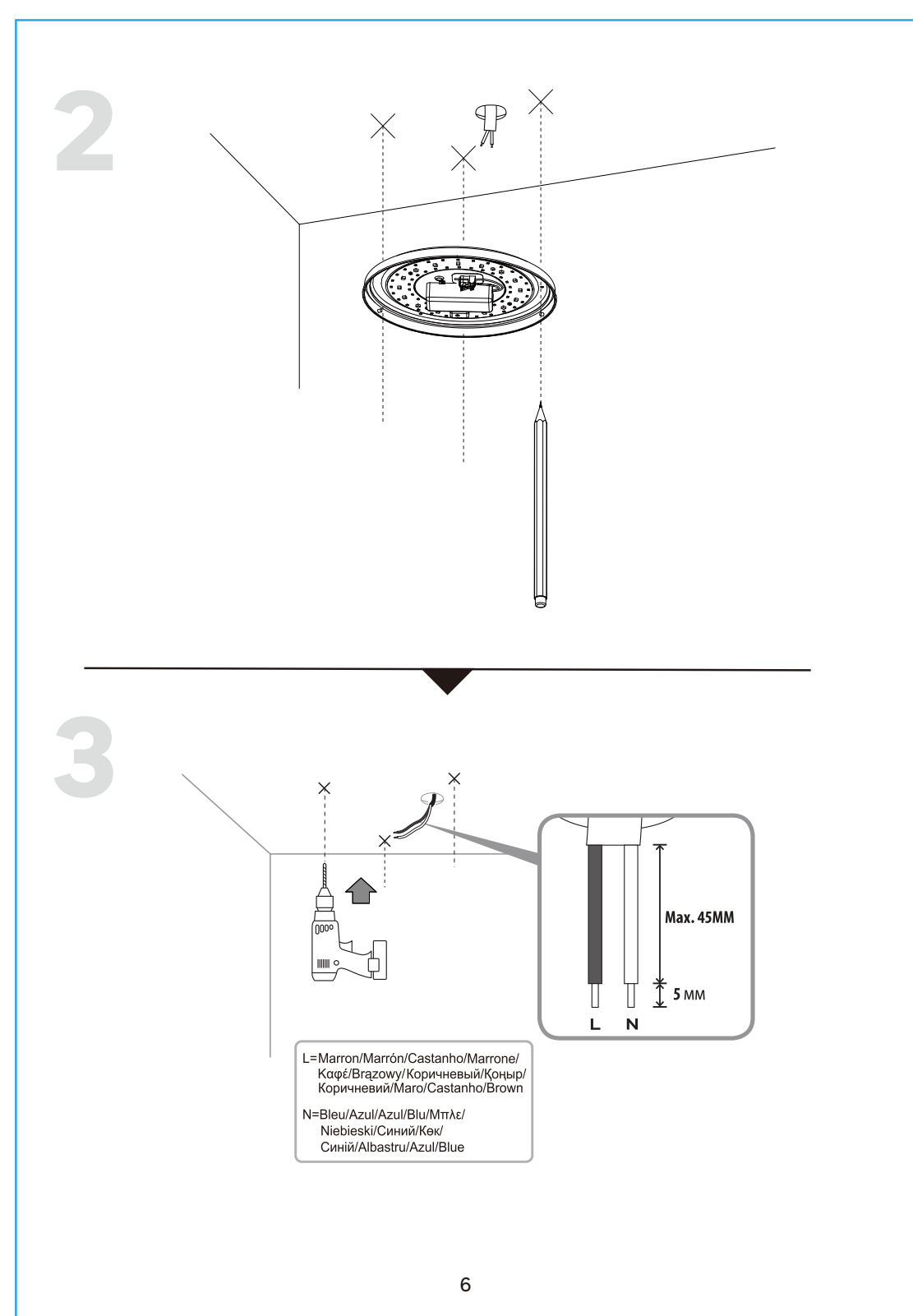
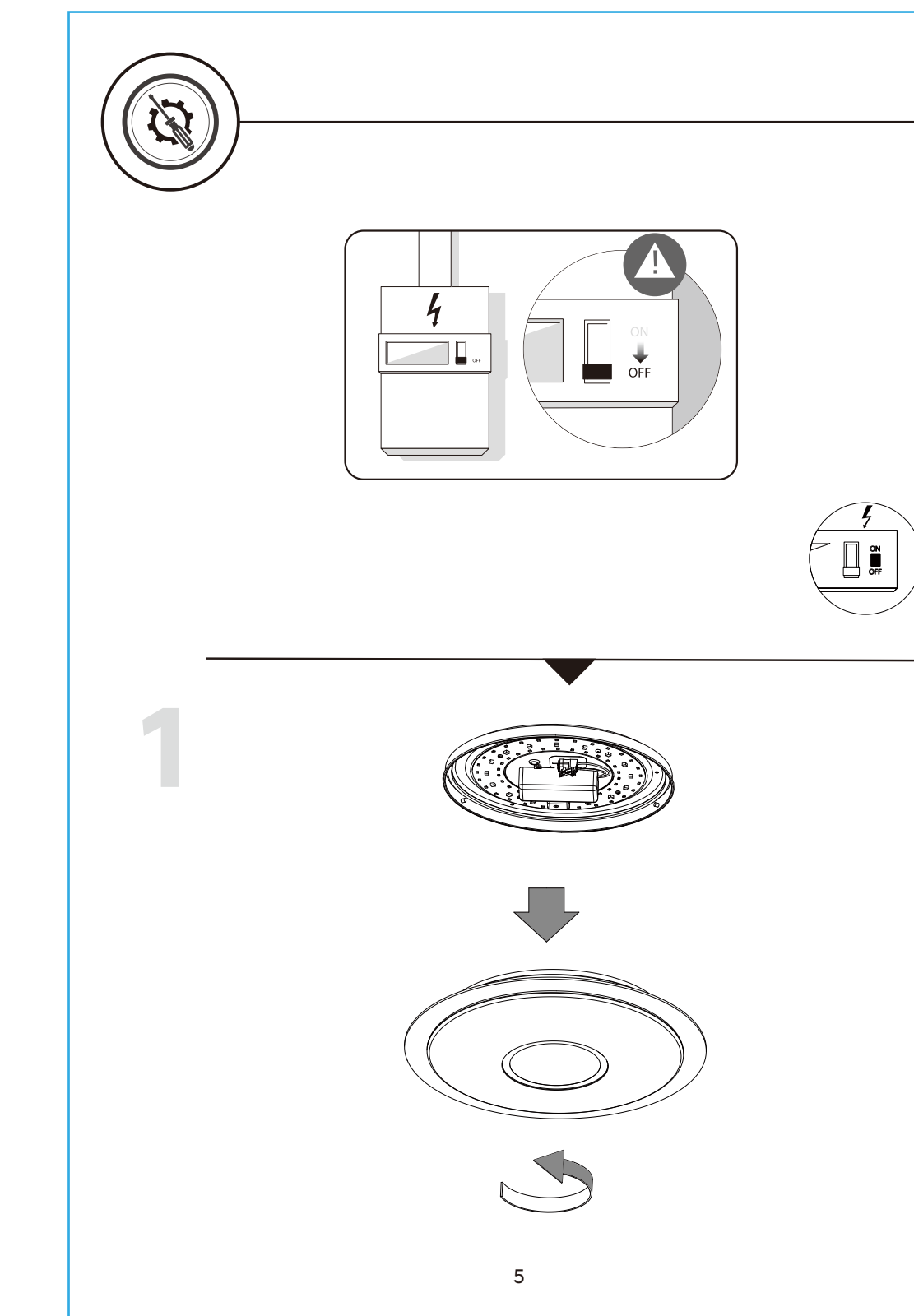
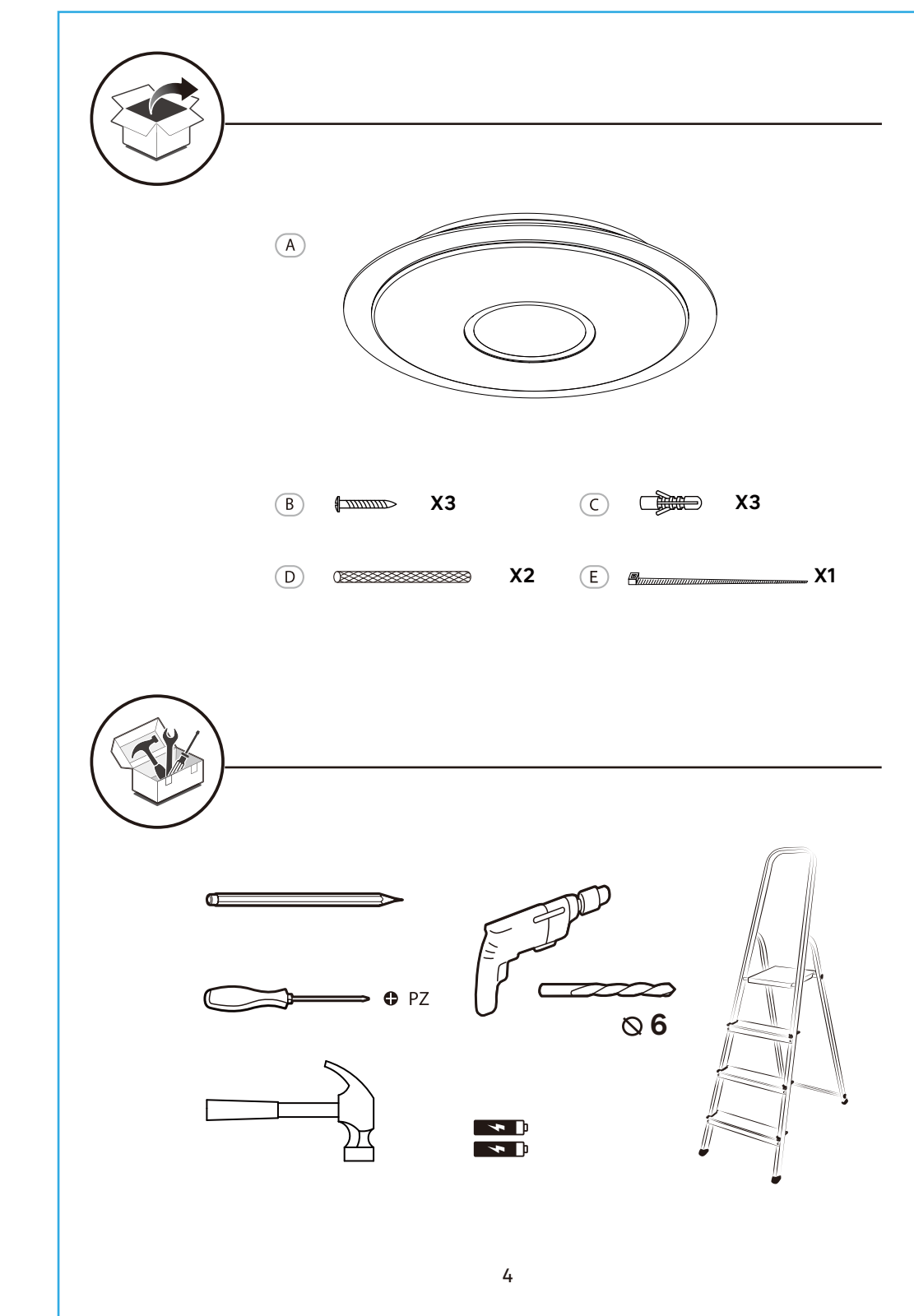
FR CARACTÉRISTIQUES TECHNIQUES / **ES** CARACTERÍSTICAS TÉCNICAS / **PT** CARACTERÍSTICAS TÉCNICAS / **PL** CECHY CHARAKTERYSTYCZNE / **EN** TECHNICAL CHARACTERISTICS

FR Utilisation / **ES** Utilización / **PT** Utilização / **PL** Wykorzystanie / **EN** Use

● 230V~50Hz
 ● IP44
 ● 4000K
 ● 2000lm
 ● 120° beam angle
 ● 1200mm diameter

● Power consumption: 10W
 ● Light output: 2000lm
 ● Beam angle: 120°
 ● Diameter: 1200mm
 ● Weight: 2.5kg

1. Before installation, ensure the ceiling is flat and free of debris. Clean the surface with a dry cloth.
2. Mark the installation points on the ceiling using a pencil and a spirit level.
3. Drill holes at the marked points using a drill with a 4mm bit.
4. Insert the provided anchors and tighten them with a screwdriver.
5. Attach the mounting brackets to the anchors.
6. Hang the light fixture on the brackets and secure it with the provided screws.
7. Turn on the power and test the light fixture.
8. Adjust the light fixture if necessary.
9. Clean the light fixture regularly.



FR LUMINAIRE INTELLIGENT / **ES** LUMINARIA CONECTADA / **PT** LUMINÁRIA INTELIGENTE / **PL** INTELIGENTNA PRACIENIA / **EN** SMART LIGHTING

● 230V~50Hz
 ● IP44
 ● 4000K
 ● 2000lm
 ● 120° beam angle
 ● 1200mm diameter

● Power consumption: 10W
 ● Light output: 2000lm
 ● Beam angle: 120°
 ● Diameter: 1200mm
 ● Weight: 2.5kg

FR LUMINAIRE INTELLIGENT / **ES** LUMINARIA CONECTADA / **PT** LUMINÁRIA INTELIGENTE / **PL** INTELIGENTNA PRACIENIA / **EN** SMART LIGHTING

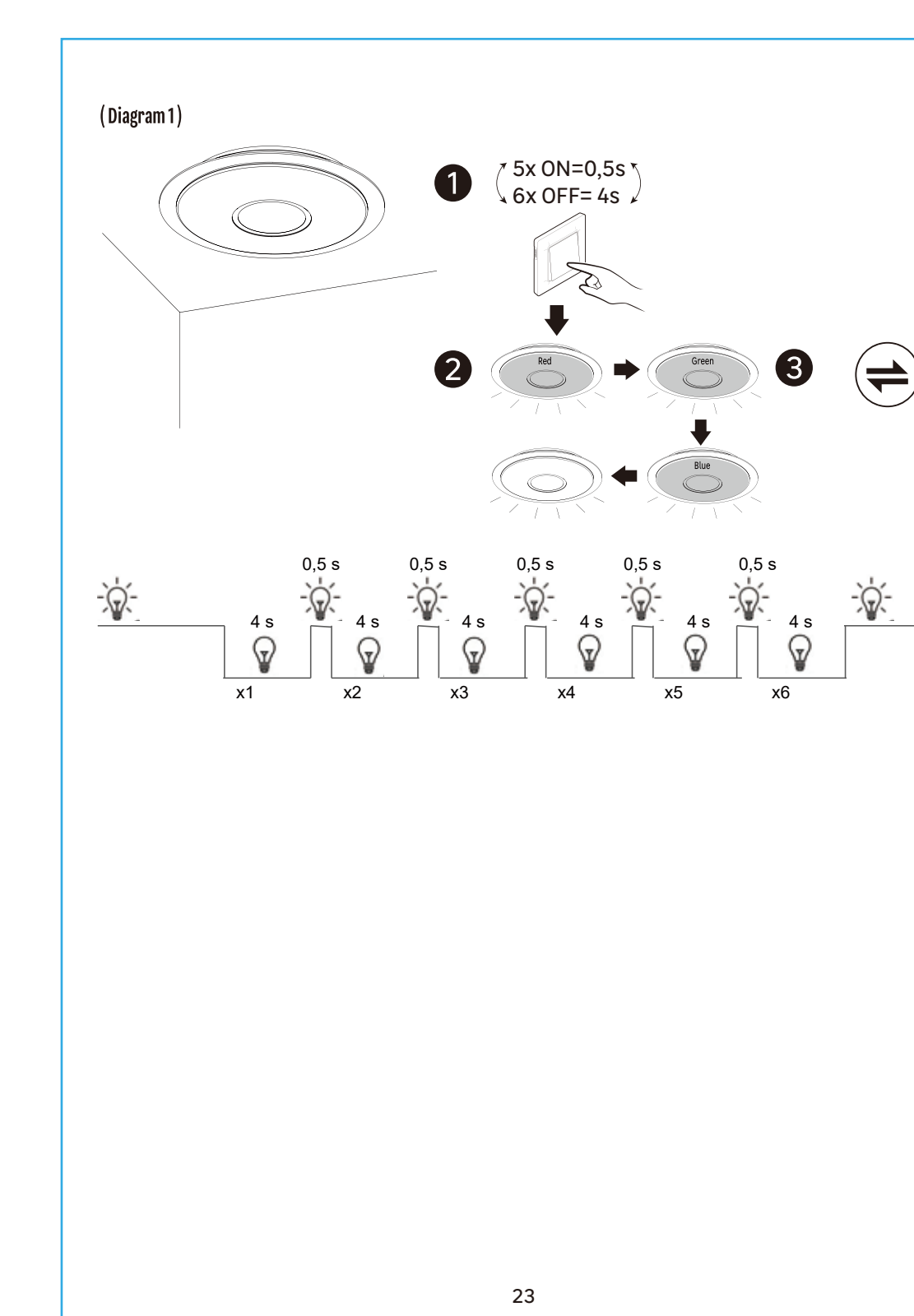
● 230V~50Hz
 ● IP44
 ● 4000K
 ● 2000lm
 ● 120° beam angle
 ● 1200mm diameter

● Power consumption: 10W
 ● Light output: 2000lm
 ● Beam angle: 120°
 ● Diameter: 1200mm
 ● Weight: 2.5kg

FR LUMINAIRE INTELLIGENT / **ES** LUMINARIA CONECTADA / **PT** LUMINÁRIA INTELIGENTE / **PL** INTELIGENTNA PRACIENIA / **EN** SMART LIGHTING

● 230V~50Hz
 ● IP44
 ● 4000K
 ● 2000lm
 ● 120° beam angle
 ● 1200mm diameter

● Power consumption: 10W
 ● Light output: 2000lm
 ● Beam angle: 120°
 ● Diameter: 1200mm
 ● Weight: 2.5kg



DECLARATION OF CONFORMITY

I, the undersigned, declare that the product described in this Declaration of Conformity is in conformity with the requirements of the applicable standards and regulations.

Date: _____
 Signature: _____
 Name: _____

DECLARATION OF CONFORMITY

I, the undersigned, declare that the product described in this Declaration of Conformity is in conformity with the requirements of the applicable standards and regulations.

Date: _____
 Signature: _____
 Name: _____

DECLARATION OF CONFORMITY

I, the undersigned, declare that the product described in this Declaration of Conformity is in conformity with the requirements of the applicable standards and regulations.

Date: _____
 Signature: _____
 Name: _____

DECLARATION OF CONFORMITY

I, the undersigned, declare that the product described in this Declaration of Conformity is in conformity with the requirements of the applicable standards and regulations.

Date: _____
 Signature: _____
 Name: _____