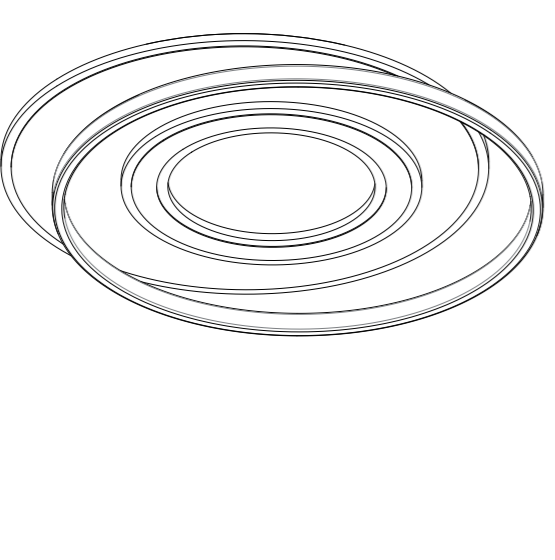


Inspire 5 YEAR WARRANTY EMINGO

EMINGO 240W 120V


EMINGO 240W 230V



1 2 3

1. Manual d'Instructions / 1. Eγχειρίδιο Οδηγών / 1. Anleitung Handbuch / 1. Manual de Instrucciones / 1. Instrukcja Obsługi / 1. Instructions Manual / 1. Manuale di Istruzioni

EMINGO 240W 120V



Montaj / Montage / Montaggio / Montáž / Zestawa Montażowa / Montage / Montage / Montage / Montage

Utilization / Utilization / Utilization / Use / Xyry / Użytkowanie / Bvnoportovaya / Utilizazi / Utilizare / Verwenden Sie / Use

1. Características Técnicas / 1. Τα Χαρακτηριστικά Τεχνικά / 1. Technische Merkmale / 1. Технічні Характеристики / 1. Technische Merkmale

120V 230V 50/60Hz IP21  $t_s$  40°C

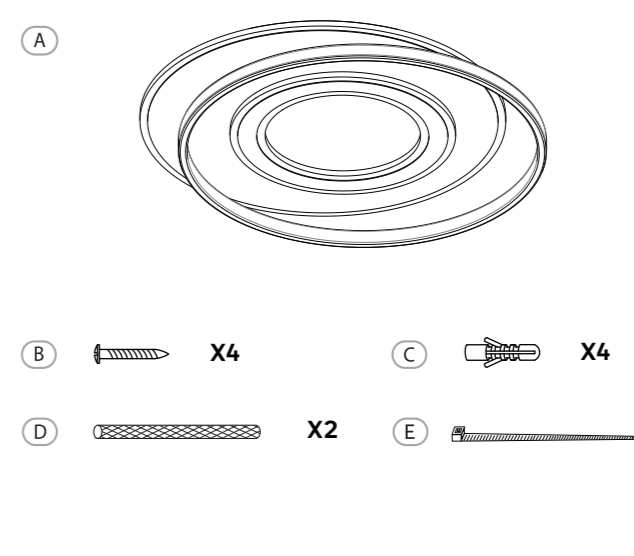
1. Montážní listy a úchyty musí být připevněny k pevné části stropu. (The mounting brackets must be fastened to a solid part of the ceiling.)

1. The light fixture is a double-layered structure. Before installation, the base must be prepared with additional insulation. (The light fixture is a double-layered structure. Before installation, the base must be prepared with additional insulation.)

2. The light fixture is a double-layered structure. Before installation, the base must be prepared with additional insulation. (The light fixture is a double-layered structure. Before installation, the base must be prepared with additional insulation.)

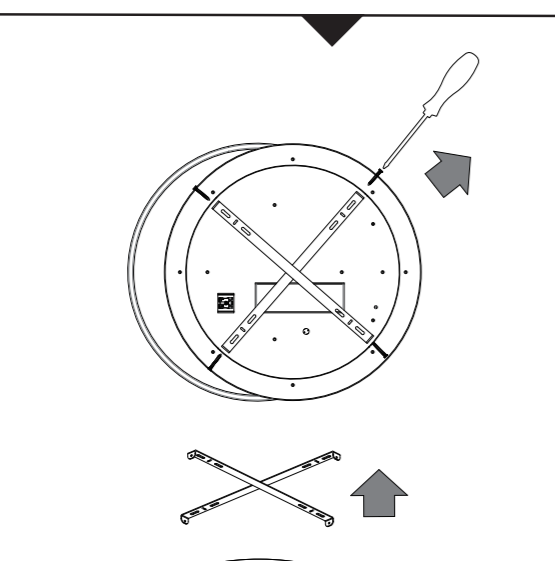
3. The light fixture is a double-layered structure. Before installation, the base must be prepared with additional insulation. (The light fixture is a double-layered structure. Before installation, the base must be prepared with additional insulation.)

1. The light fixture is a double-layered structure. Before installation, the base must be prepared with additional insulation. (The light fixture is a double-layered structure. Before installation, the base must be prepared with additional insulation.)

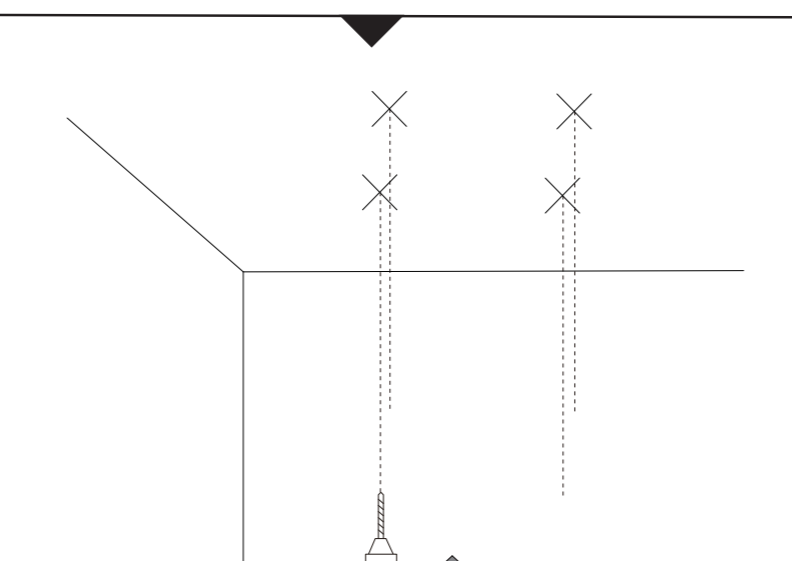


2. The light fixture is a double-layered structure. Before installation, the base must be prepared with additional insulation. (The light fixture is a double-layered structure. Before installation, the base must be prepared with additional insulation.)

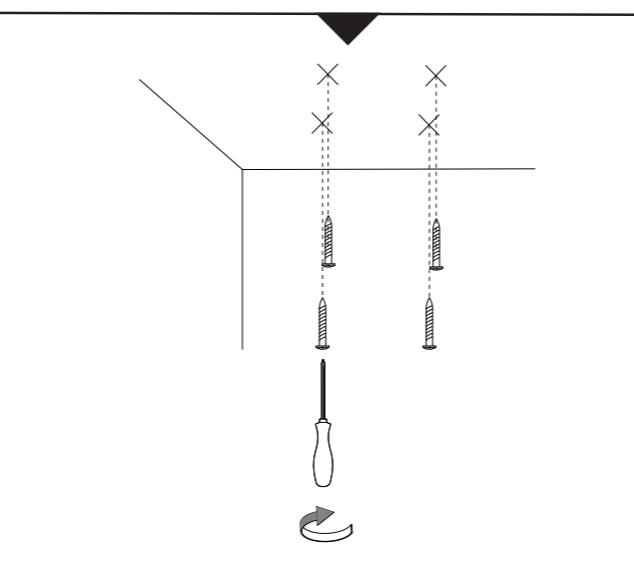
1. The light fixture is a double-layered structure. Before installation, the base must be prepared with additional insulation. (The light fixture is a double-layered structure. Before installation, the base must be prepared with additional insulation.)



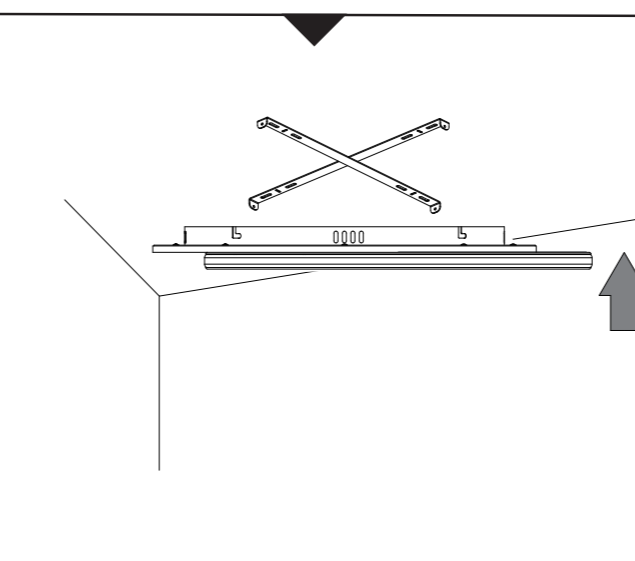
2. The light fixture is a double-layered structure. Before installation, the base must be prepared with additional insulation. (The light fixture is a double-layered structure. Before installation, the base must be prepared with additional insulation.)



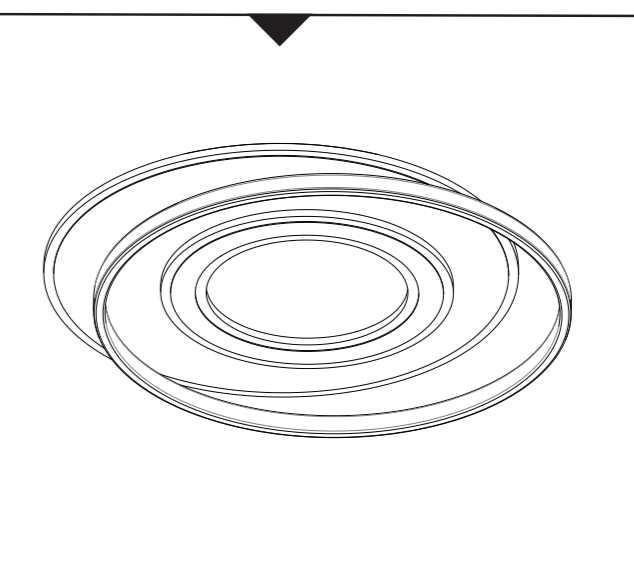
3. The light fixture is a double-layered structure. Before installation, the base must be prepared with additional insulation. (The light fixture is a double-layered structure. Before installation, the base must be prepared with additional insulation.)



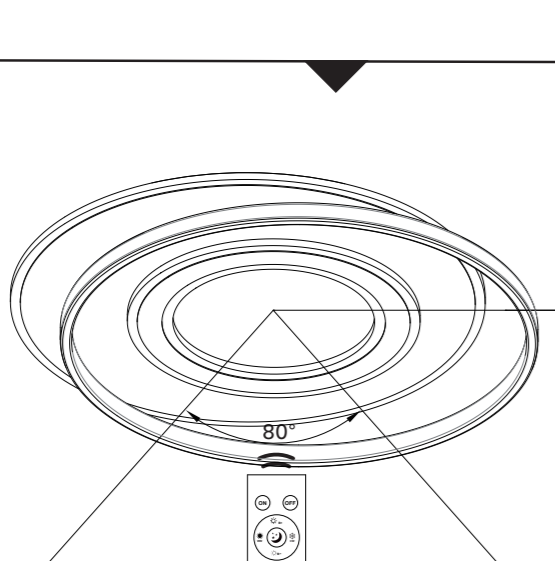
4. The light fixture is a double-layered structure. Before installation, the base must be prepared with additional insulation. (The light fixture is a double-layered structure. Before installation, the base must be prepared with additional insulation.)



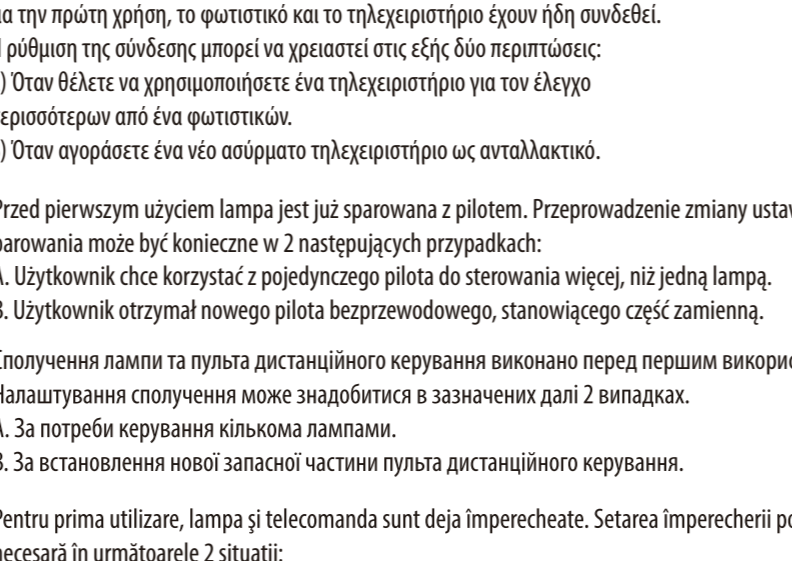
5. The light fixture is a double-layered structure. Before installation, the base must be prepared with additional insulation. (The light fixture is a double-layered structure. Before installation, the base must be prepared with additional insulation.)



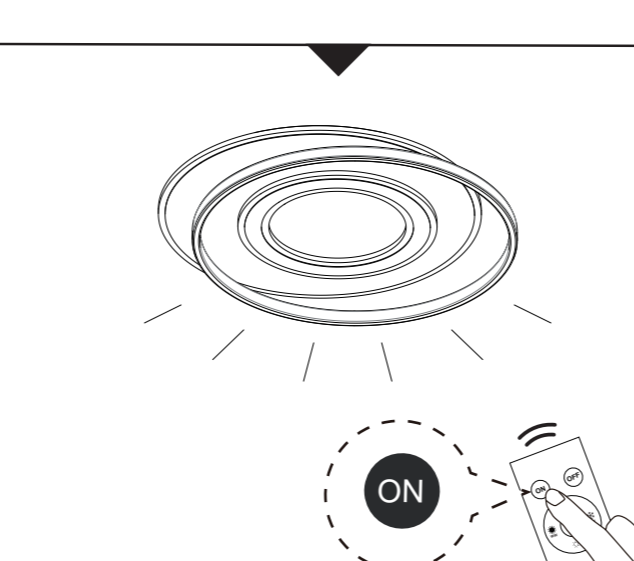
6. The light fixture is a double-layered structure. Before installation, the base must be prepared with additional insulation. (The light fixture is a double-layered structure. Before installation, the base must be prepared with additional insulation.)



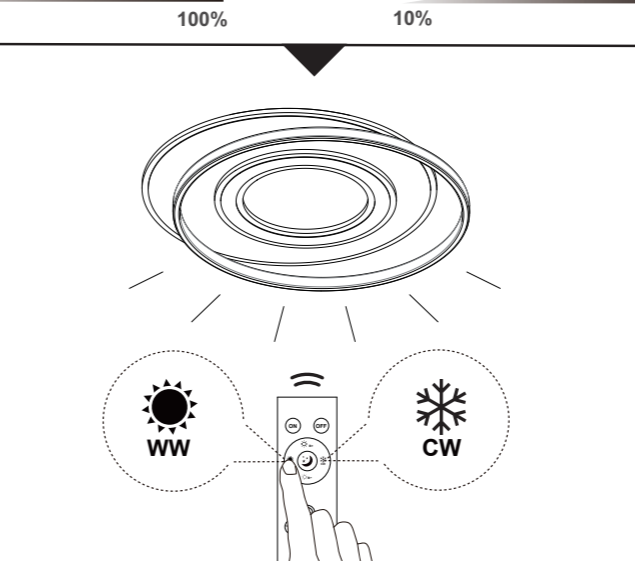
7. The light fixture is a double-layered structure. Before installation, the base must be prepared with additional insulation. (The light fixture is a double-layered structure. Before installation, the base must be prepared with additional insulation.)



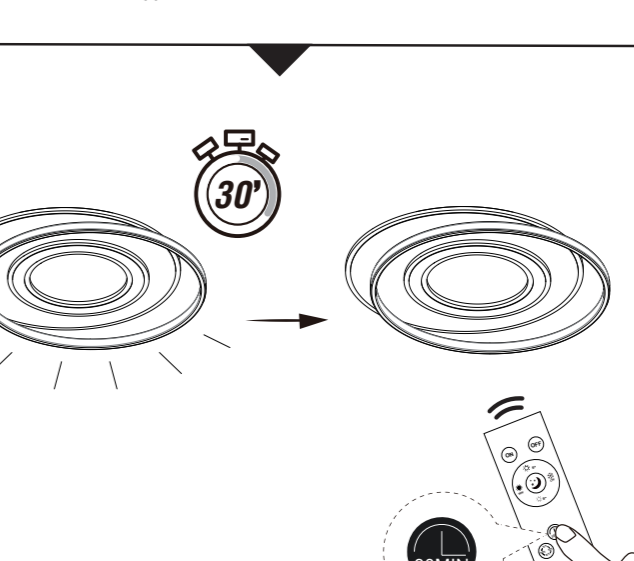
8. The light fixture is a double-layered structure. Before installation, the base must be prepared with additional insulation. (The light fixture is a double-layered structure. Before installation, the base must be prepared with additional insulation.)



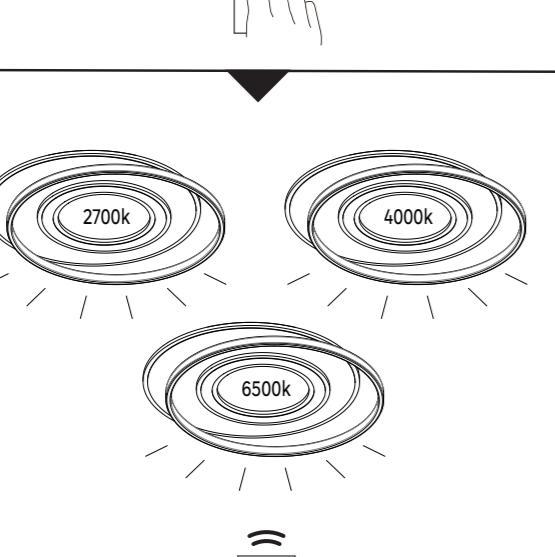
9. The light fixture is a double-layered structure. Before installation, the base must be prepared with additional insulation. (The light fixture is a double-layered structure. Before installation, the base must be prepared with additional insulation.)



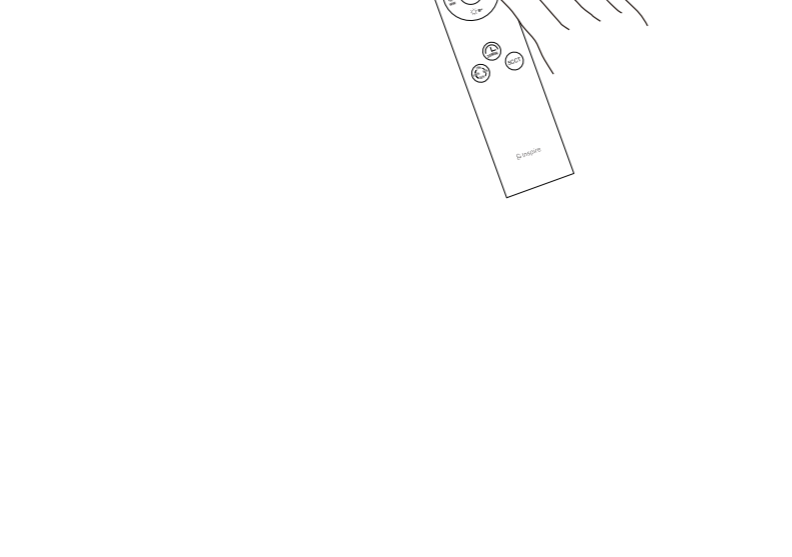
10. The light fixture is a double-layered structure. Before installation, the base must be prepared with additional insulation. (The light fixture is a double-layered structure. Before installation, the base must be prepared with additional insulation.)




11. The light fixture is a double-layered structure. Before installation, the base must be prepared with additional insulation. (The light fixture is a double-layered structure. Before installation, the base must be prepared with additional insulation.)



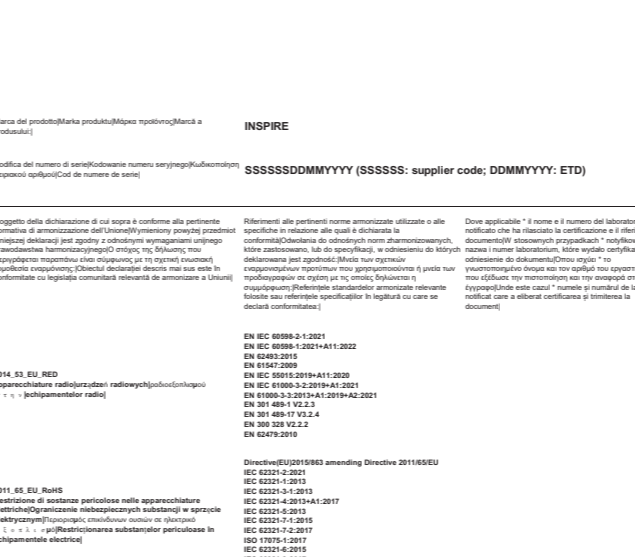
12. The light fixture is a double-layered structure. Before installation, the base must be prepared with additional insulation. (The light fixture is a double-layered structure. Before installation, the base must be prepared with additional insulation.)




13. The light fixture is a double-layered structure. Before installation, the base must be prepared with additional insulation. (The light fixture is a double-layered structure. Before installation, the base must be prepared with additional insulation.)




14. The light fixture is a double-layered structure. Before installation, the base must be prepared with additional insulation. (The light fixture is a double-layered structure. Before installation, the base must be prepared with additional insulation.)



15. The light fixture is a double-layered structure. Before installation, the base must be prepared with additional insulation. (The light fixture is a double-layered structure. Before installation, the base must be prepared with additional insulation.)




16. The light fixture is a double-layered structure. Before installation, the base must be prepared with additional insulation. (The light fixture is a double-layered structure. Before installation, the base must be prepared with additional insulation.)



17. The light fixture is a double-layered structure. Before installation, the base must be prepared with additional insulation. (The light fixture is a double-layered structure. Before installation, the base must be prepared with additional insulation.)



18. The light fixture is a double-layered structure. Before installation, the base must be prepared with additional insulation. (The light fixture is a double-layered structure. Before installation, the base must be prepared with additional insulation.)



19. The light fixture is a double-layered structure. Before installation, the base must be prepared with additional insulation. (The light fixture is a double-layered structure. Before installation, the base must be prepared with additional insulation.)



20. The light fixture is a double-layered structure. Before installation, the base must be prepared with additional insulation. (The light fixture is a double-layered structure. Before installation, the base must be prepared with additional insulation.)

