

REVISION HISTORY				
REV.	DATE	MODIFICATIONS	NAME	ECN NO.
A	15 SEP 2021	NEW-Spin-off from 4010056496.	Rainy X.	0037615
B	23 SEP 2021	Removed extra holes and screws on legs and updated ECN number.	Rainy X.	0038456

**DO NOT PRINT THIS PAGE**



**PRINTING SIZES**

**FLAT DIMENSIONS  
printed on both sides**

**210 x 297 (A4)**



**DELIVERED DIMENSIONS  
(Stapled in the middle)**

**210 x 297 (A4)**



**Material: 64 g/m<sup>2</sup>  
Printing: Black ink**

**SAP N°=4010070690**

Program: InDesign CS6

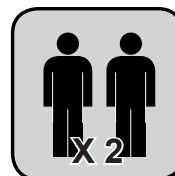
Black

**RELEASED FOR PRODUCTION**

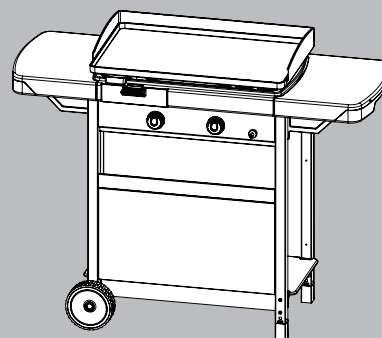
<p><b>CONFIDENTIAL</b></p> <p>THIS DOCUMENT AND ITS CONTENTS ARE CONFIDENTIAL AND CONSTITUTE TRADE SECRETS PROPRIETARY TO NEWELL BRANDS, WHO RESERVE ALL RIGHTS THEREIN. BY ACCEPTING THIS DOCUMENT, THE RECIPIENT AGREES NOT TO COPY, USE, MANUFACTURE, OR COMMUNICATE TO OTHERS, WHOLLY OR IN PART, THE CONTENTS OF THIS DOCUMENT EXCEPT AS EXPRESSLY AUTHORIZED IN WRITING BY NEWELL BRANDS.</p>			<p>3 Glenlake Parkway Atlanta, GA 30328 USA</p>	
	<p>MATERIAL: SEE NOTES</p>			
<p>DRAWING PREPARED IN ACCORDANCE WITH ASME Y14.5</p>		<p>FINISH: SEE NOTES</p>		
<p>TITLE: <b>ASSY MANUAL PLANCHA EX/EXB</b></p>				
<p>1ST ANGLE PROJECTION</p> 	<p>DRAWN BY: Rainy X. DATE: 15 SEP 2021</p>	<p>SCALE: 1 : 1 SHEET 1 OF 1</p>	<p>DRW NO. NWL0001220838</p>	<p>REV B</p>

## Plancha EX Plus • Plancha EXB Plus • Plancha EX Extra

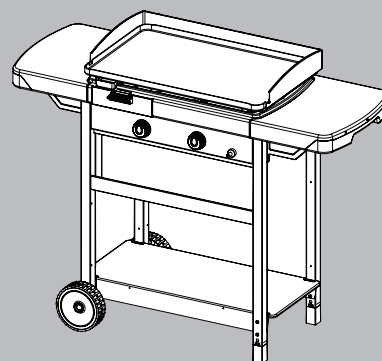
### Plancha EX Plus



### Plancha EX Extra



### Plancha EXB Plus



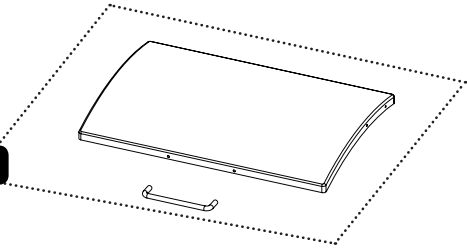
**FR** Instructions de montage  
**GB** Assembly instructions  
**DE** Montageanleitung  
**NL** Montage-instructies  
**IT** Istruzioni per il montaggio  
**ES** Instrucciones de montaje  
**PT** Instruções de montagem

**NO** Monteringsinstrukser  
**DK** Monteringsvejledning  
**SE** Monteringsanvisningar  
**FI** Kokoamisohjeet  
**PL** Instrukcja montażu  
**CZ** Návod k montáži  
**SI** Navodila za montažo

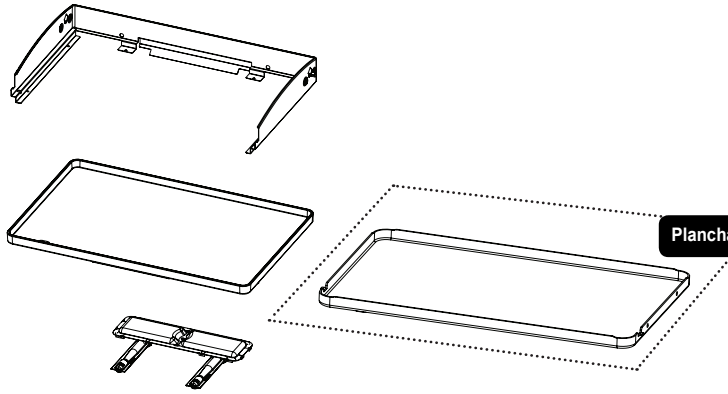
**SK** Návod na montáž  
**HU** Összeszerelési utasítás  
**HR** Upute za montiranje  
**RO** Instrucțiuni de montaj  
**BG** Указания за монтаж  
**TR** Montaj  
**GR** Οδηγίες συναρμολόγησης



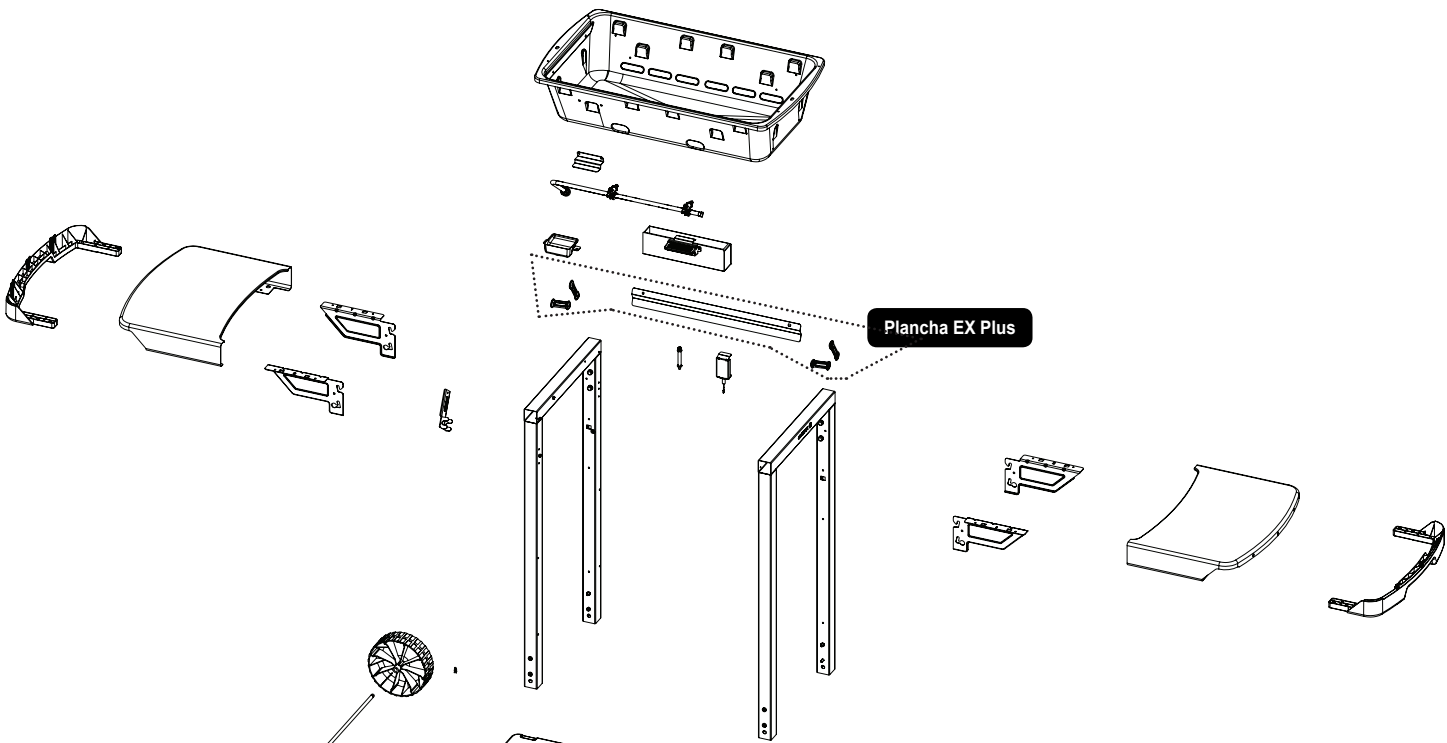
Plancha EX Plus



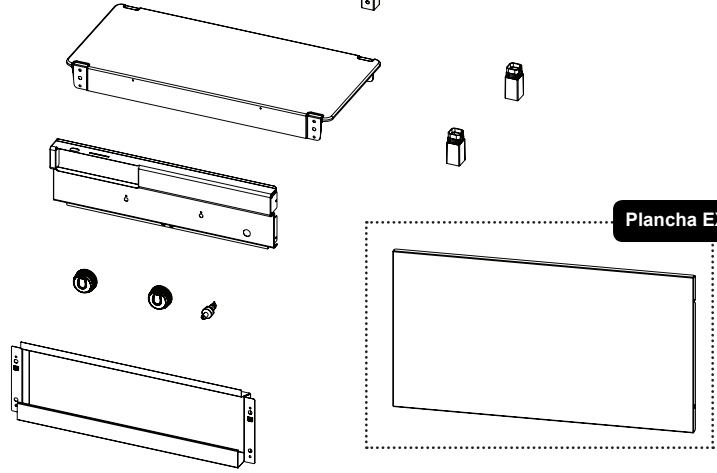
Plancha EXB Plus

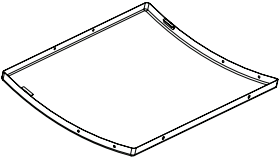
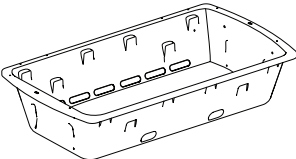
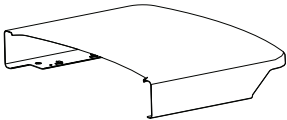
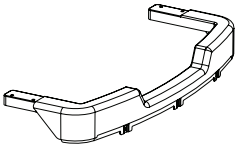
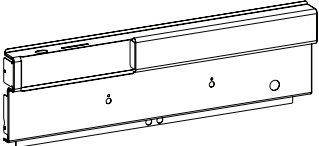
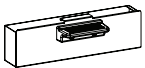
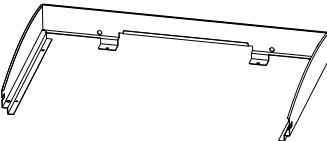
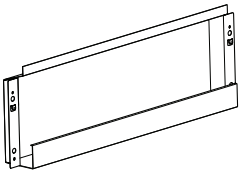
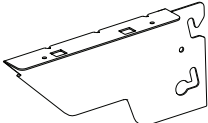
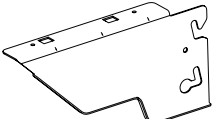
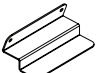
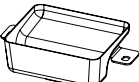


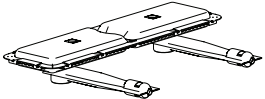
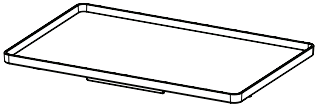
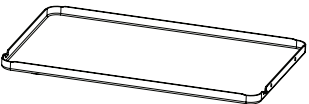

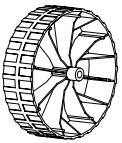

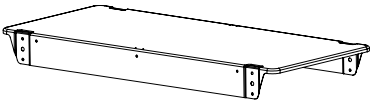
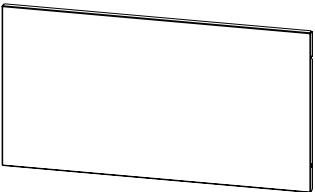
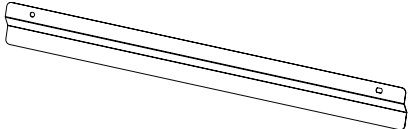


Plancha EX Plus

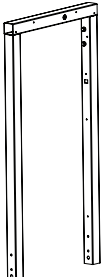



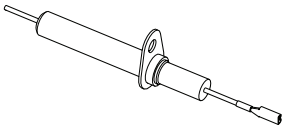
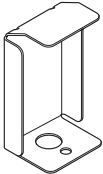

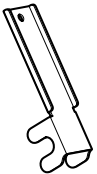
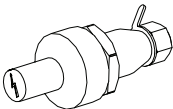
Plancha EX Extra

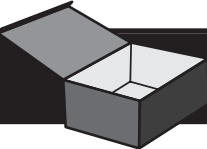
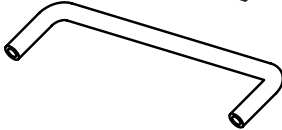



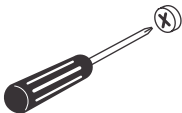

Plancha EX Plus	Plancha EXB Plus	Plancha EX Extra	
1	0	0	
1	1	1	
2	2	2	
2	2	2	
1	1	1	
1	1	1	
1	1	1	
1	1	1	
2	2	2	
2	2	2	
1	1	1	
1	1	1	



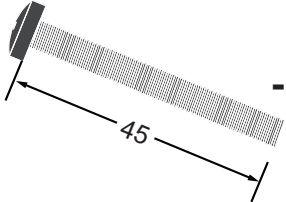


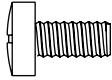

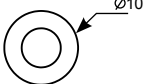

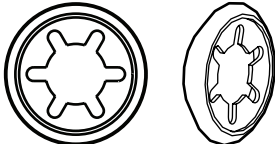
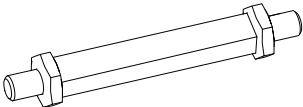
Plancha EX Plus	Plancha EXB Plus	Plancha EX Extra	
1	1	1	
1	0	1	
0	1	0	
1	1	1	
2	2	2	
1	1	1	
1	1	1	
0	0	1	
1	0	0	
2	0	0	
2	0	0	

Plancha EX Plus	Plancha EXB Plus	Plancha EX Extra	
2	2	2	

Plancha EX Plus	Plancha EXB Plus	Plancha EX Extra	<b>A</b>
2	2	2	
1	1	1	
1	1	1	
2	2	2	
1	1	1	
1	1	1	

Plancha EX Plus	Plancha EXB Plus	Plancha EX Extra	
1	0	0	

		
---	---	---

Plancha EX Plus	Plancha EXB Plus	Plancha EX Extra	<b>1:1</b>	<b>B</b>
6	6	6		- a
44	42	46		- b
8	8	8		- c
10	10	10		- c
2	2	2		- d
2	0	0		- e
8	0	0		- f
18	0	0		- g
1	1	1		
1	1	1		
1	1	1		

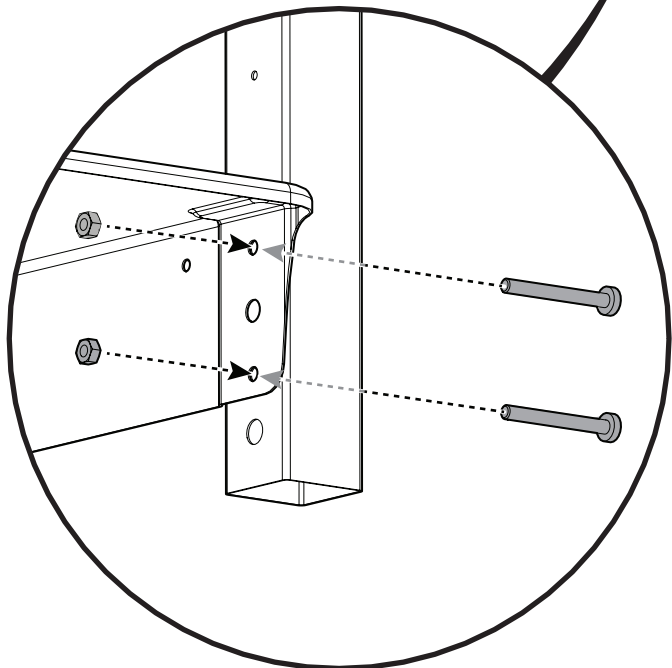
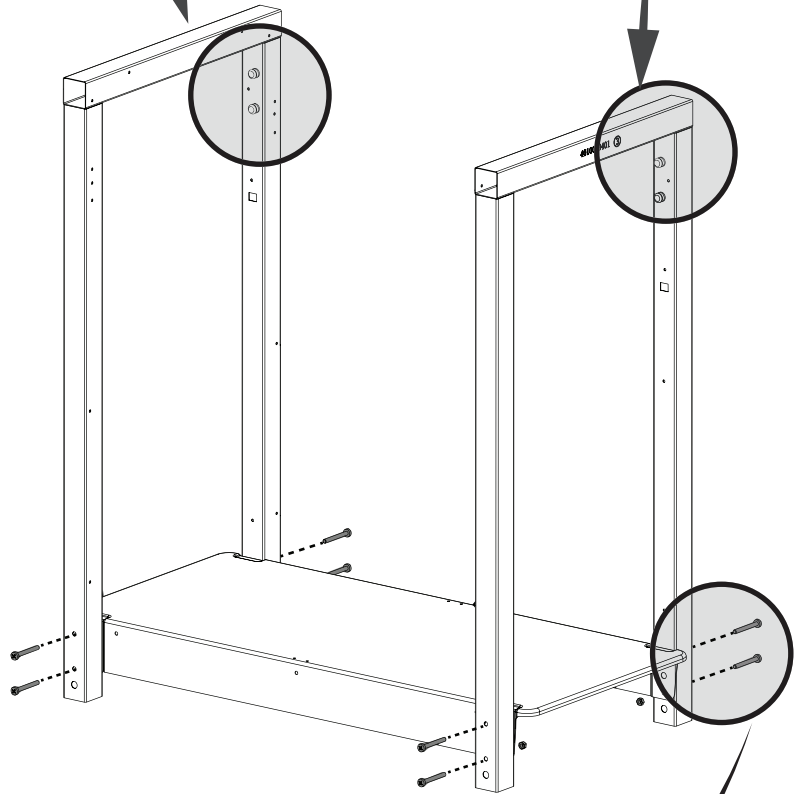
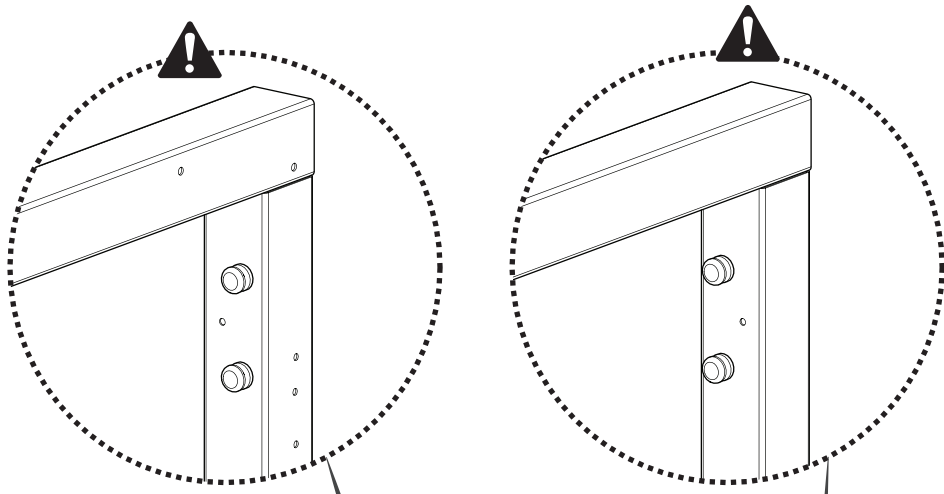
# 01



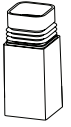
X 8



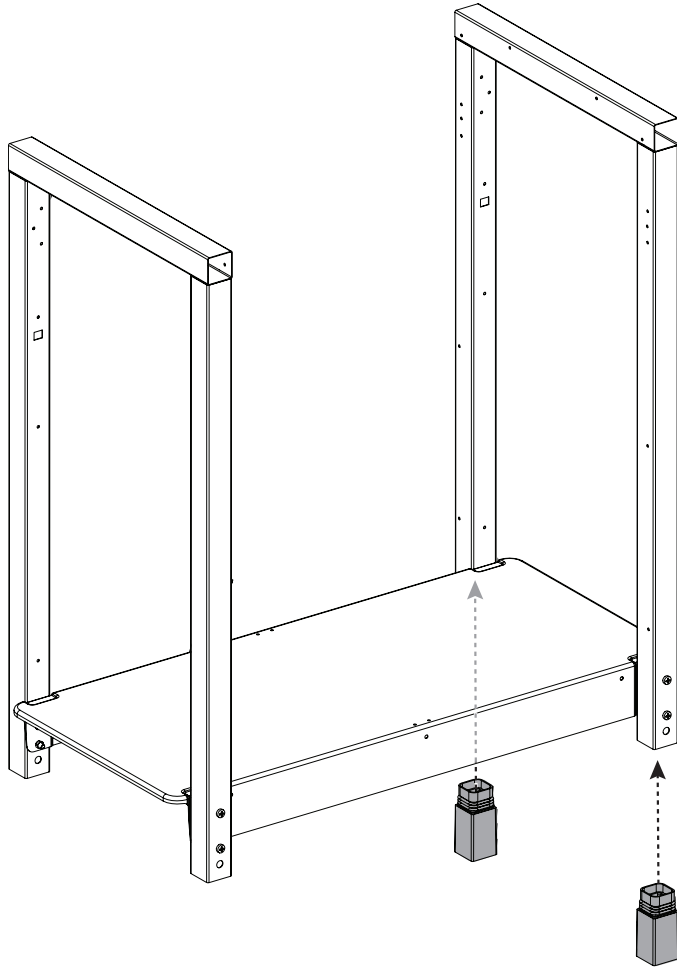
X 8



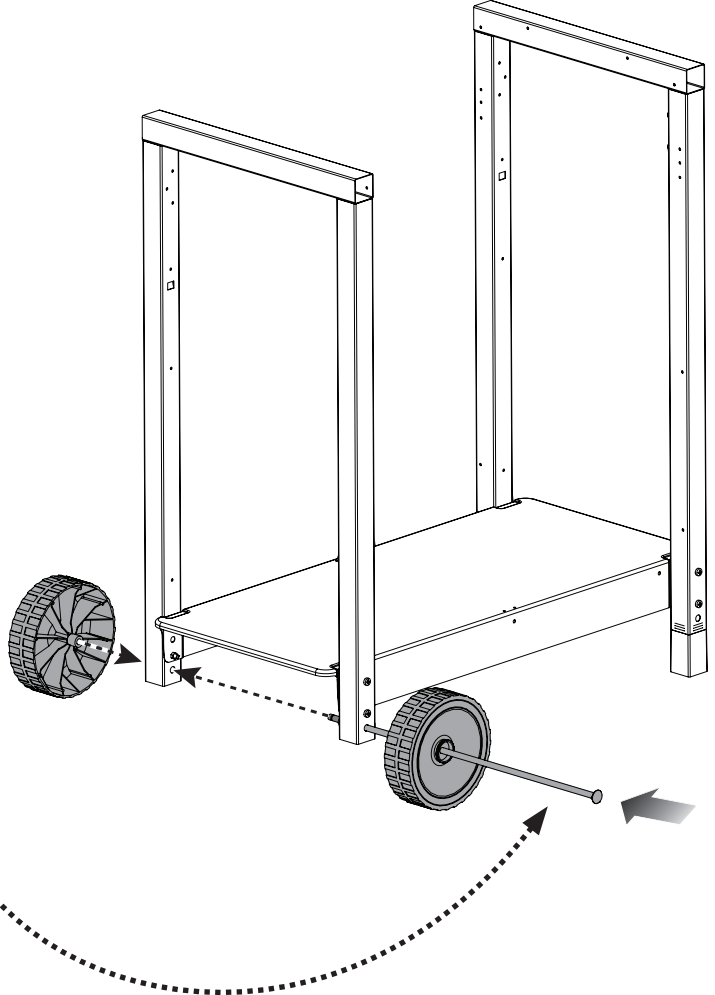
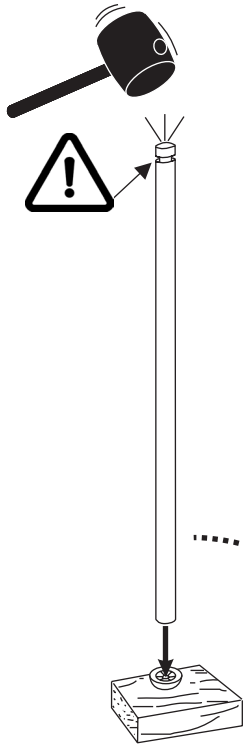
# 02



X 2

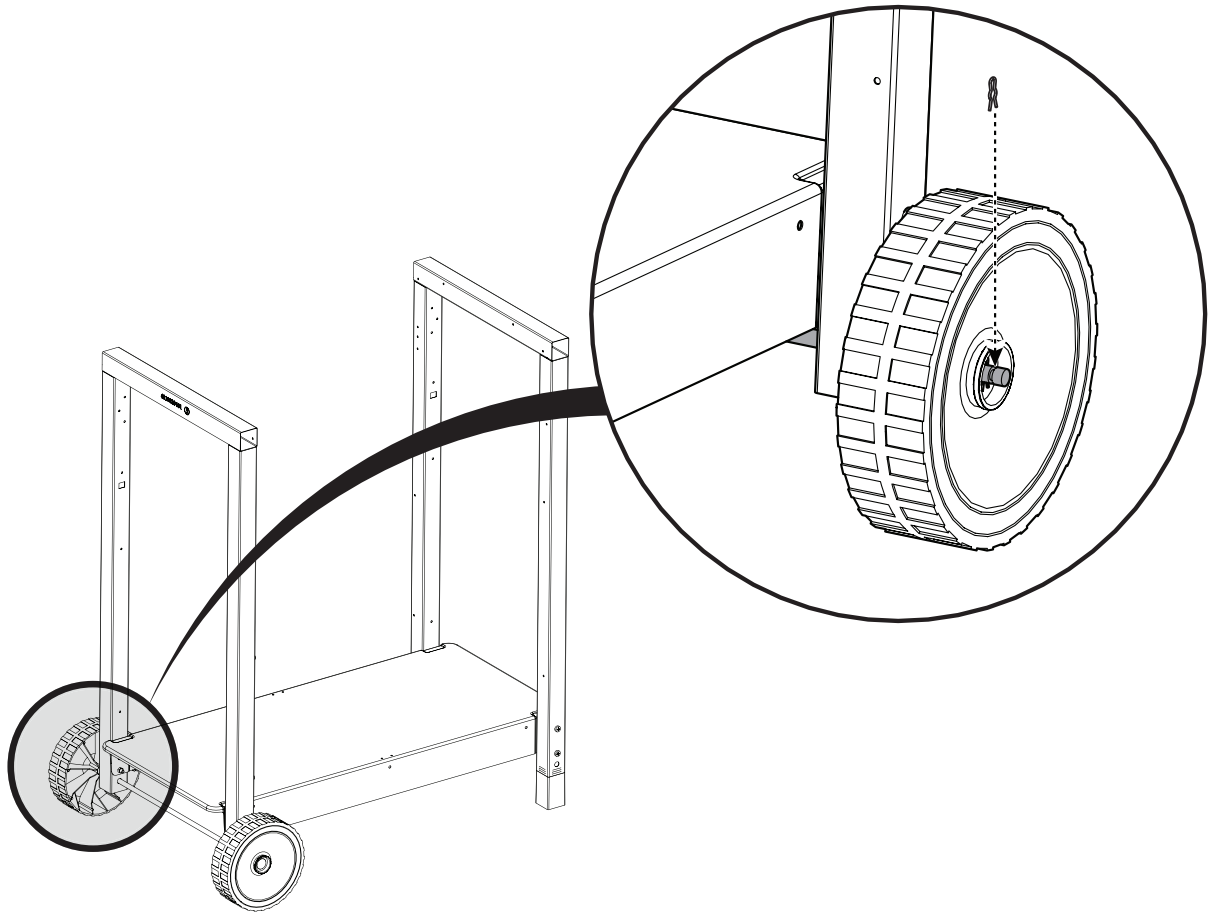


X 1



**B**

 X 1





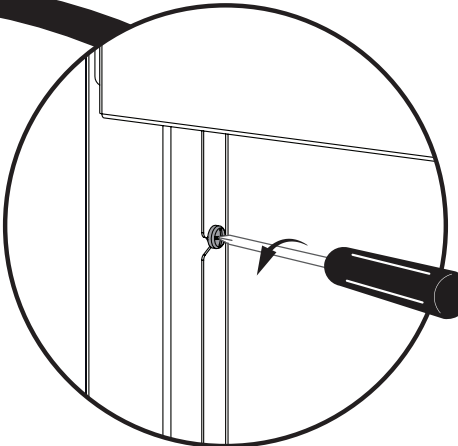
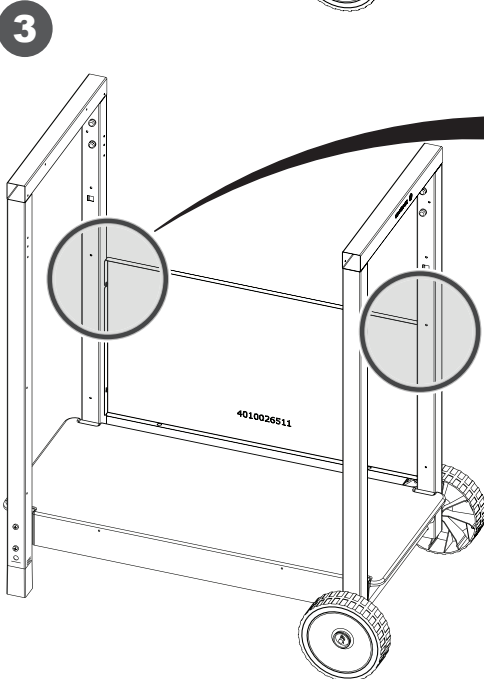
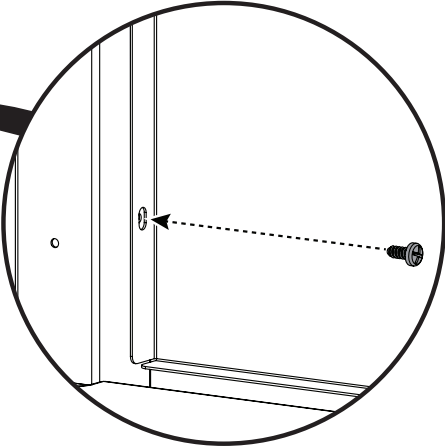
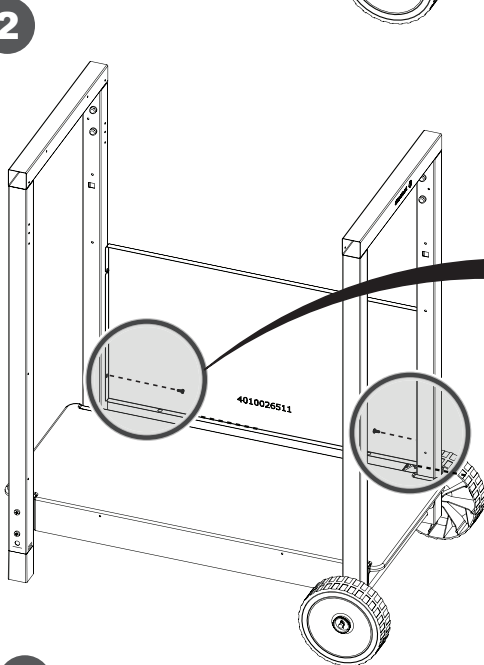
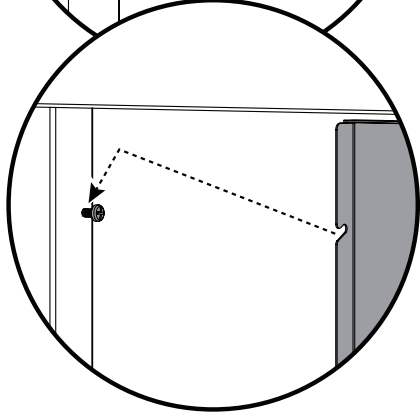
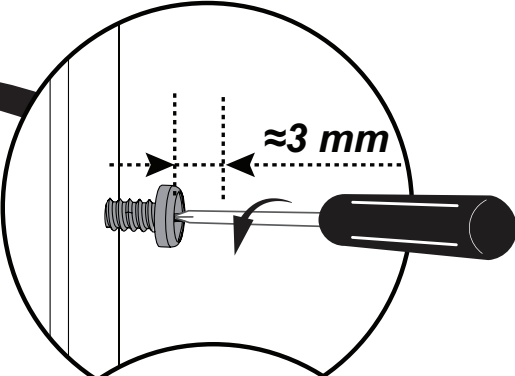
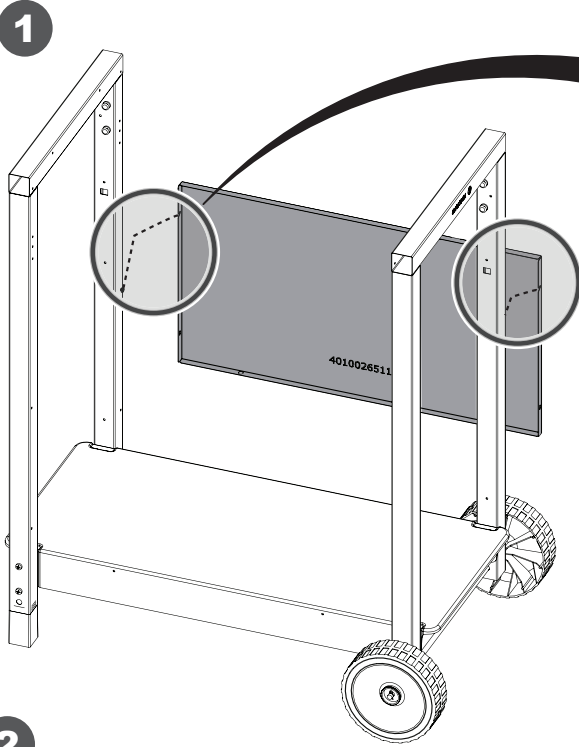
# 03

## Plancha EX Extra

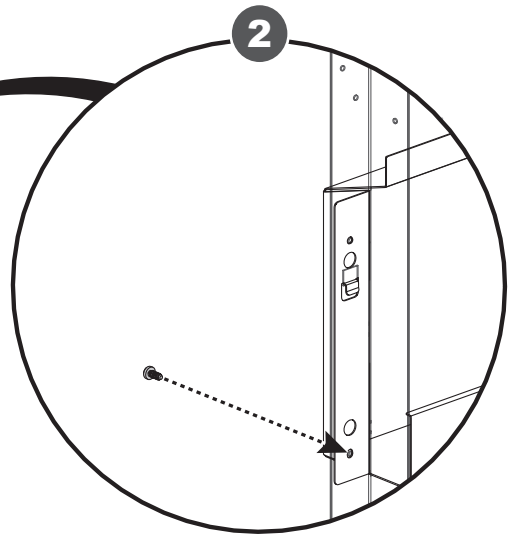
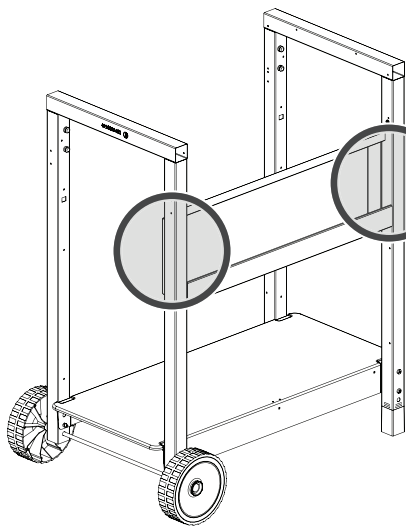
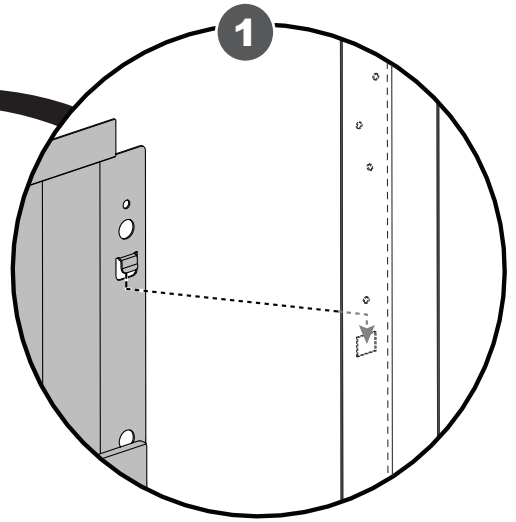
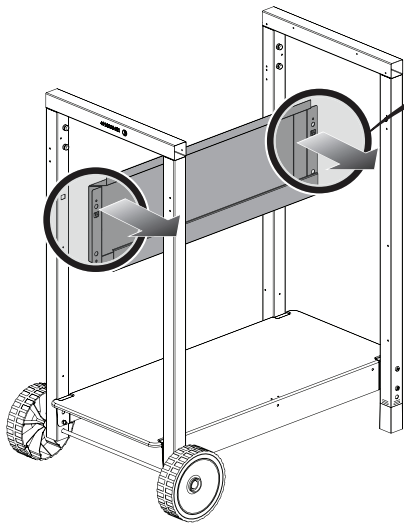


 X 2

**b**



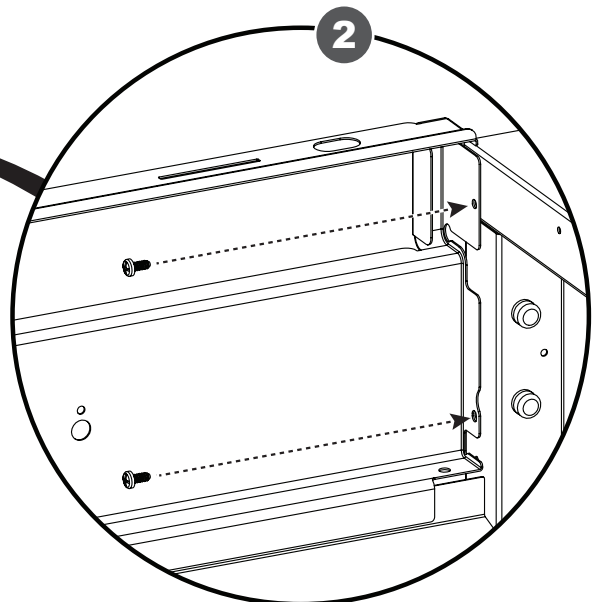
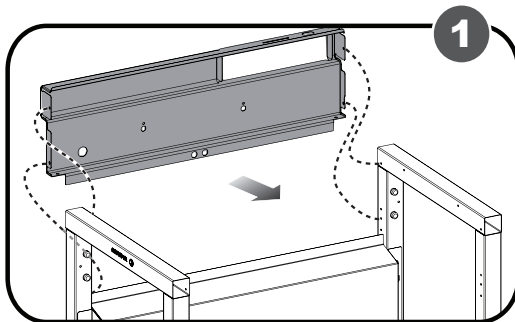
# 04



▶ X 2

b

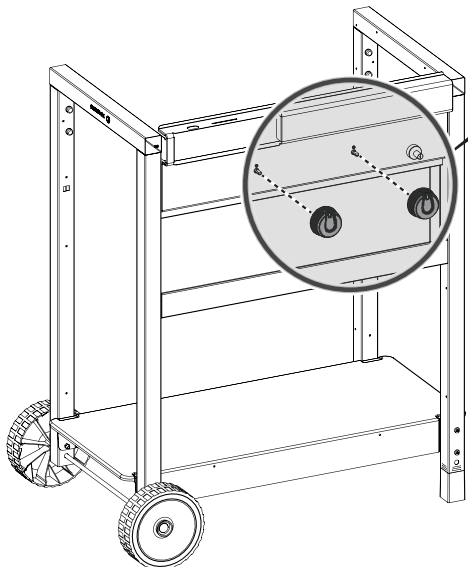
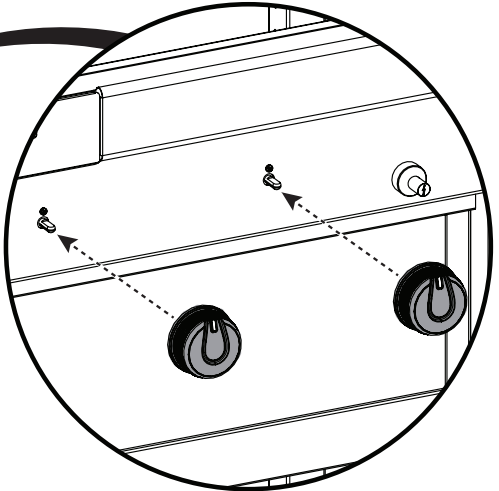
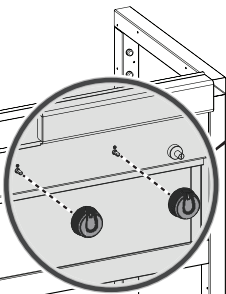
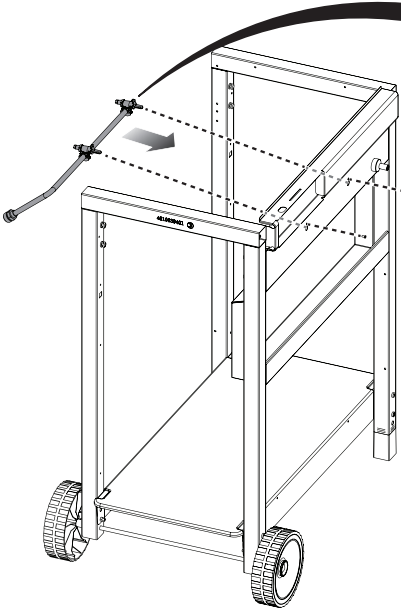
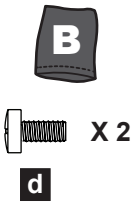
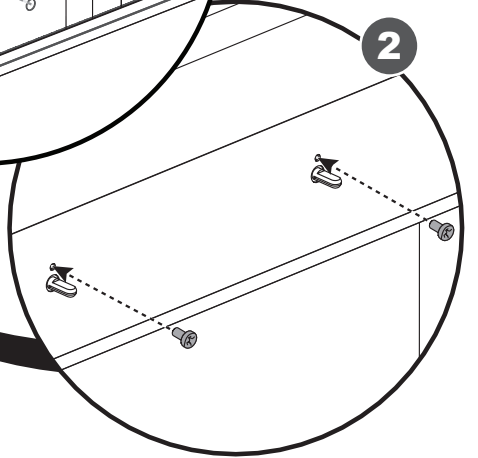
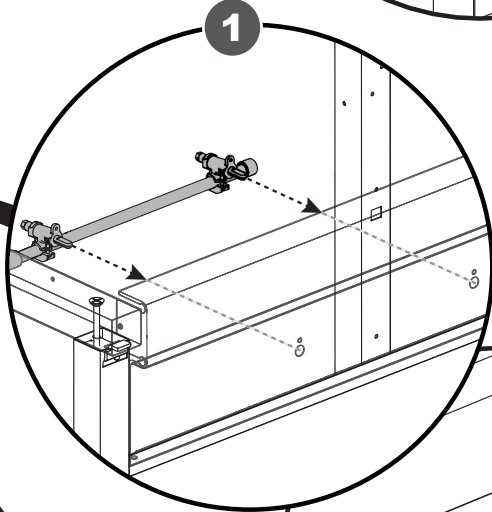
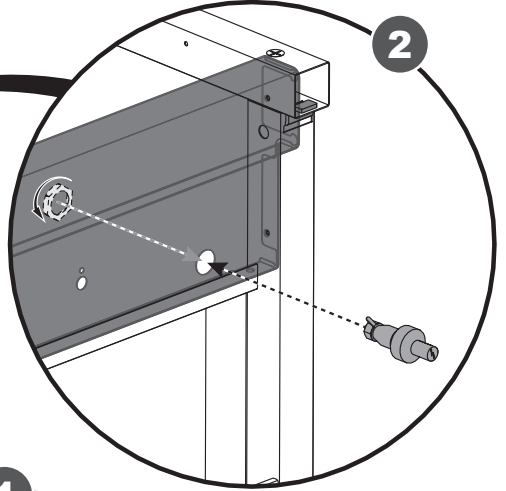
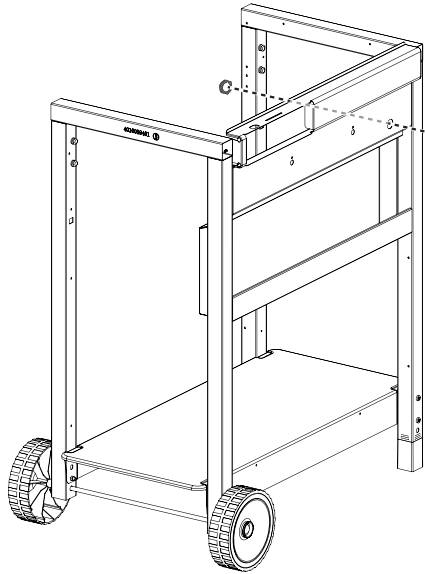
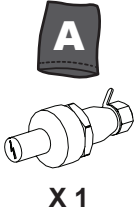
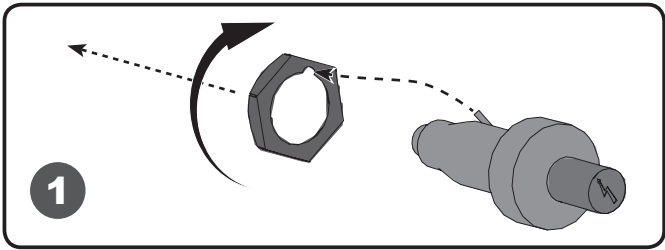
# 05



▶ X 4

b

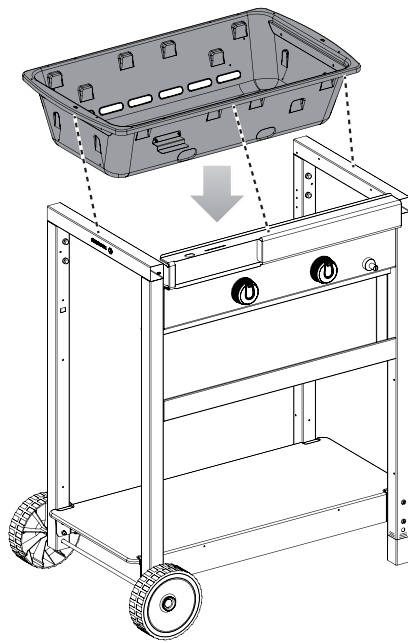
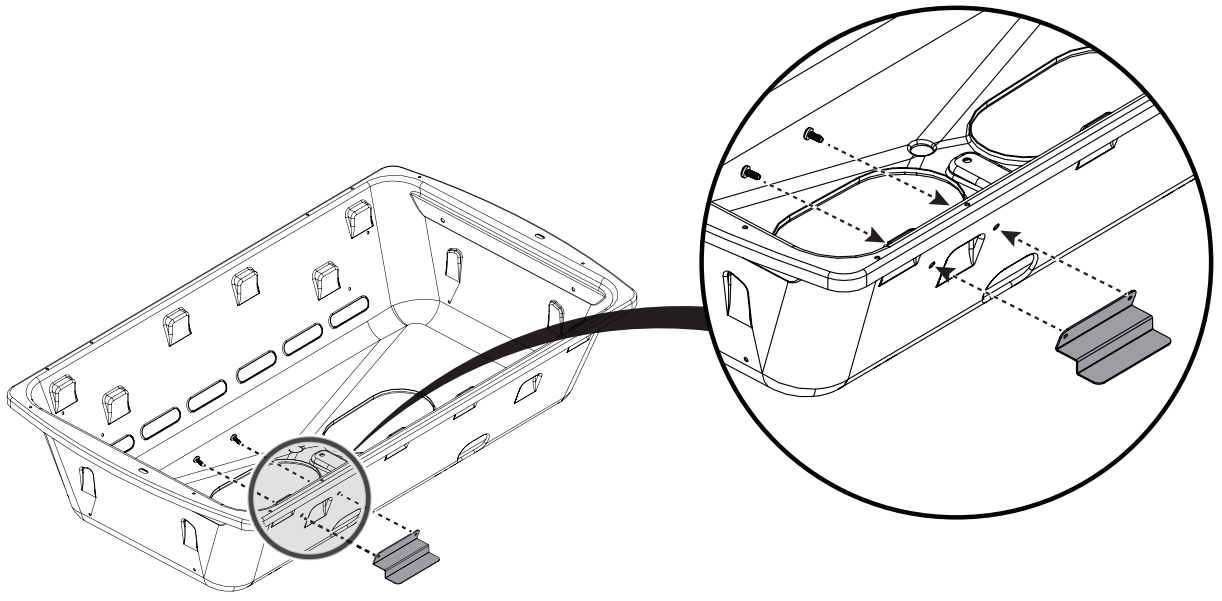
**06**



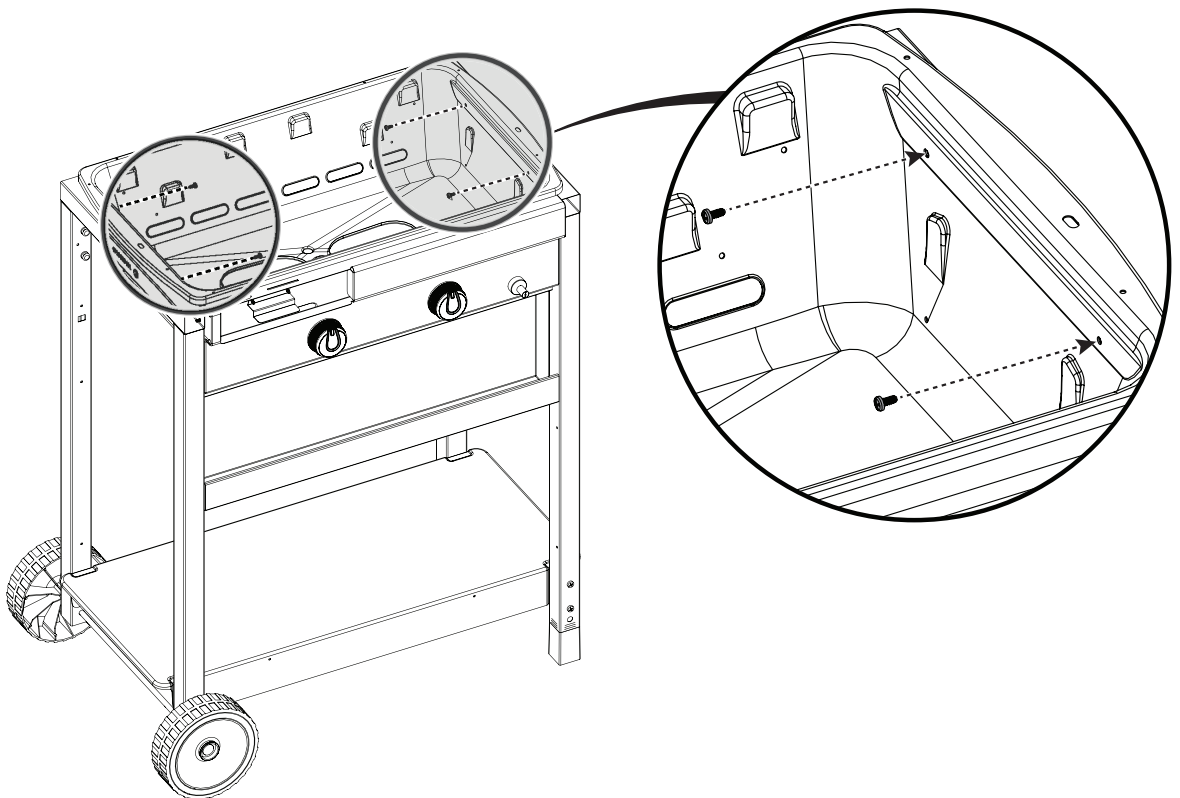
# 07



 X 2

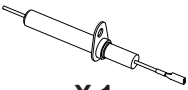


 X 4

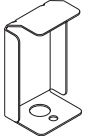


# 08

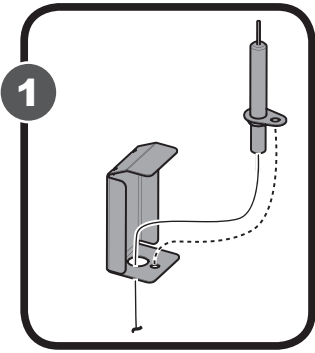
**A**



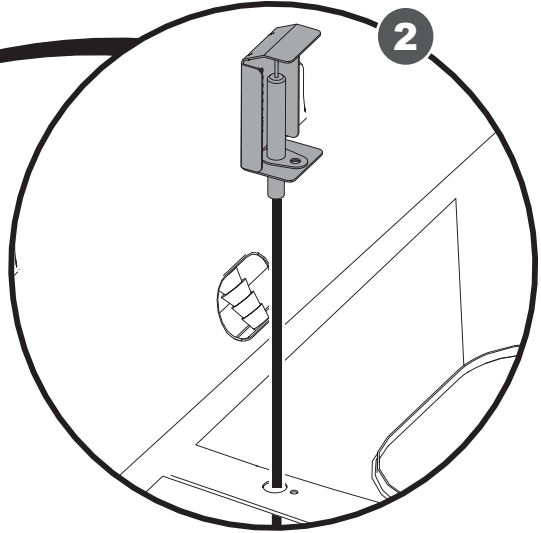
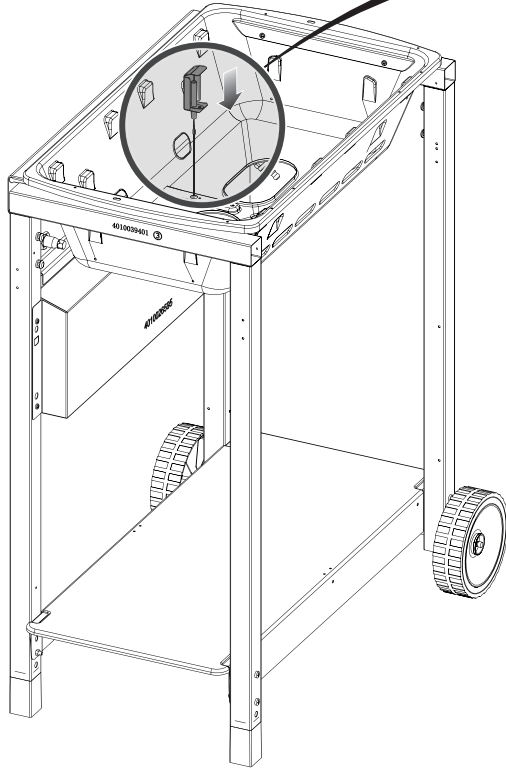
X 1



X 1



1



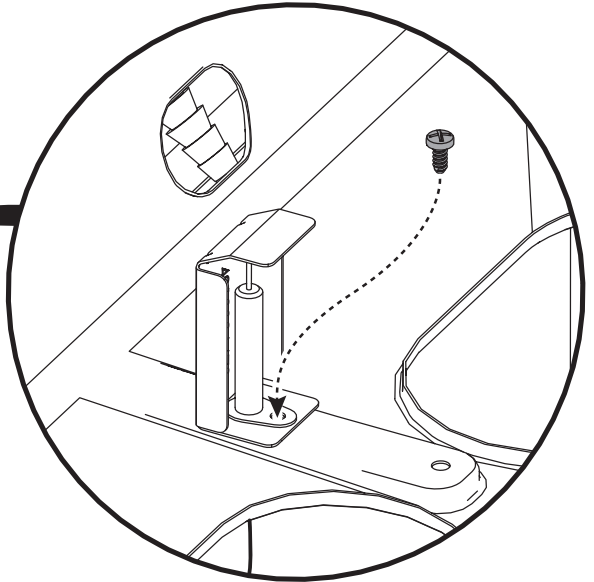
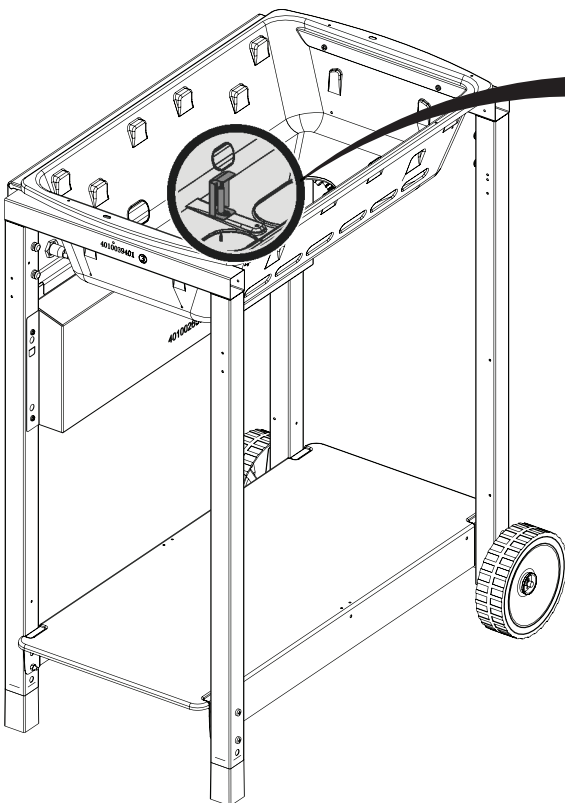
2

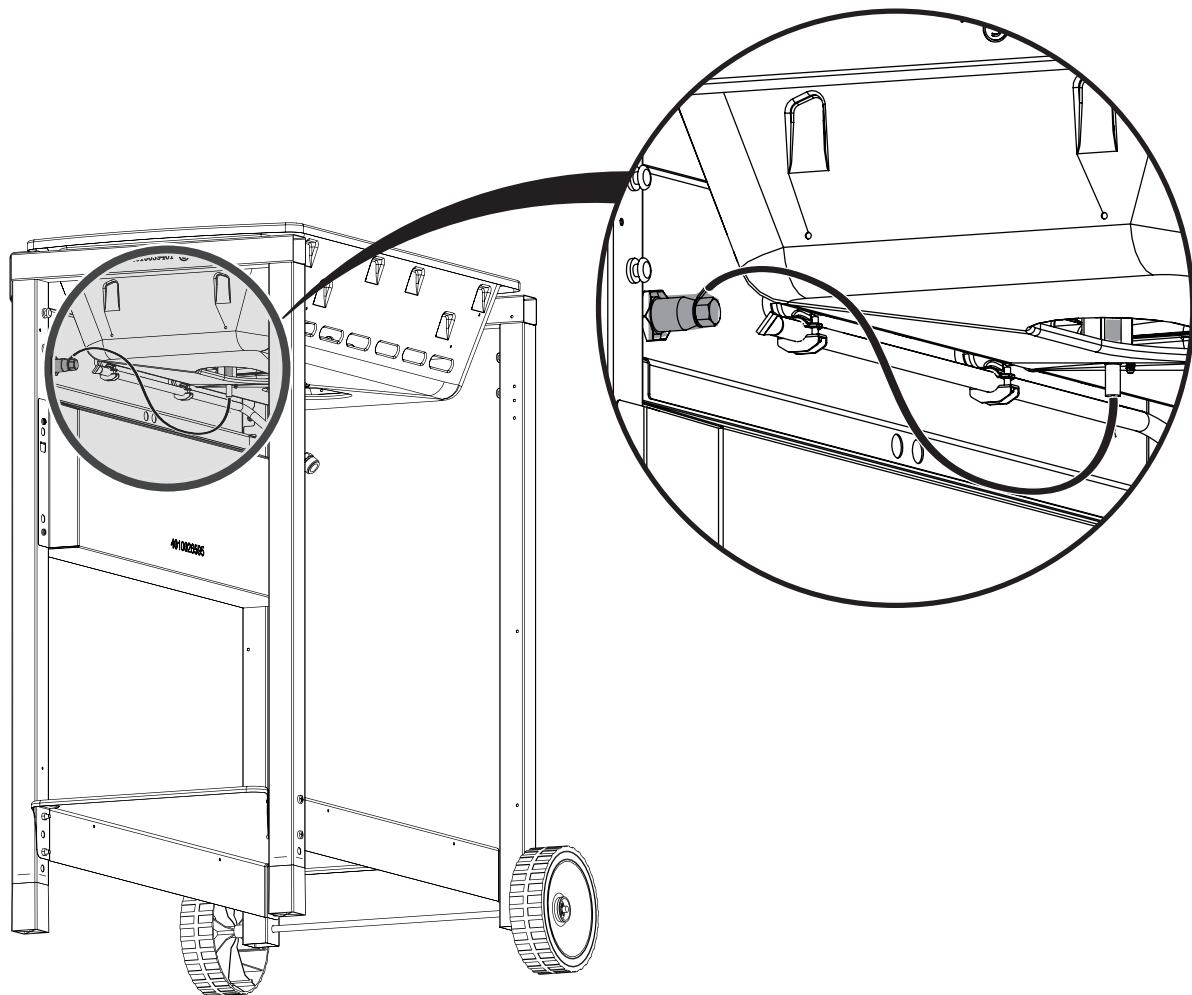
**B**



X 1

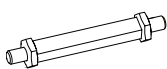
**b**





**09**

**B**

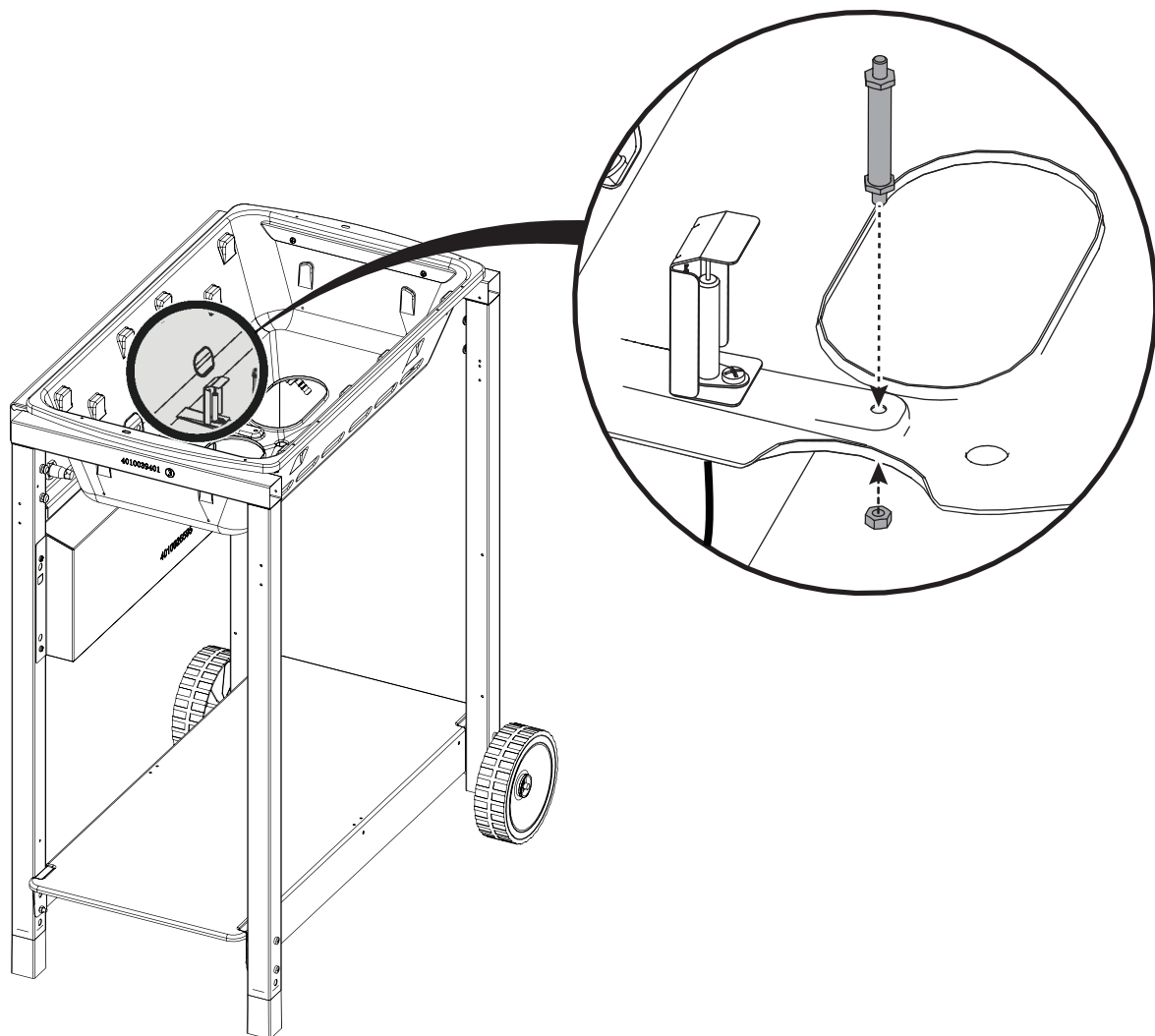
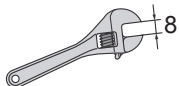


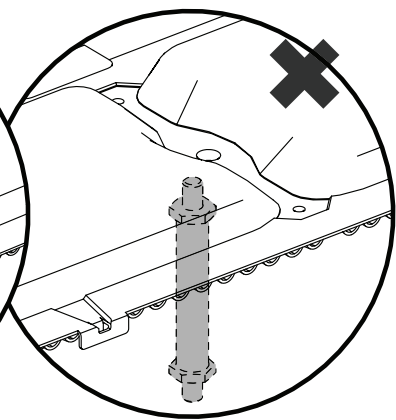
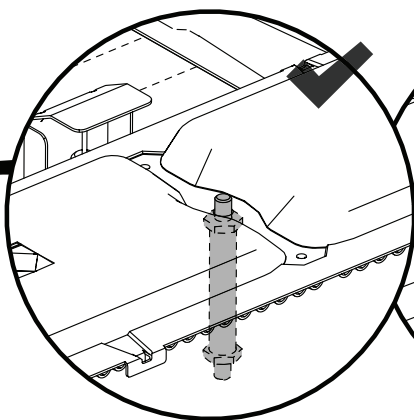
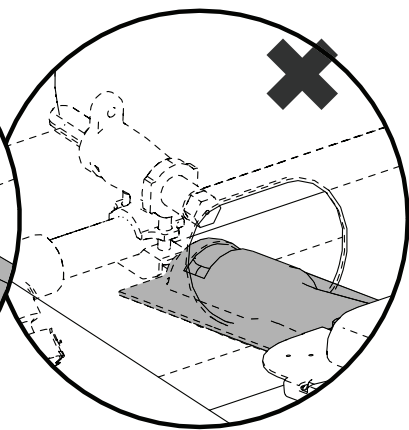
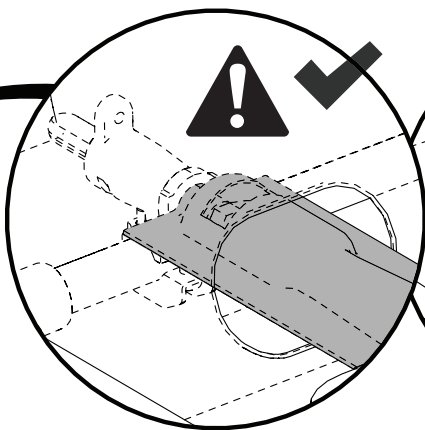
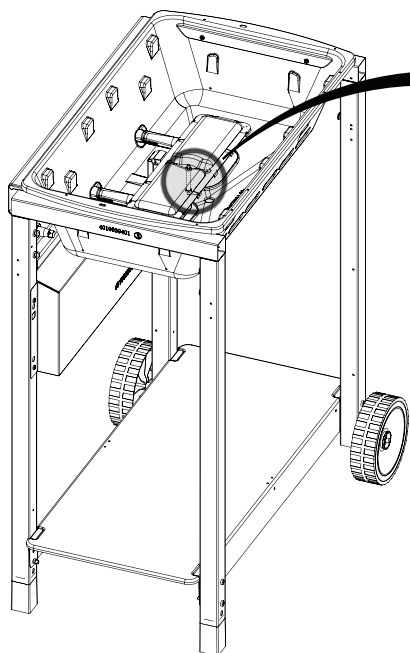
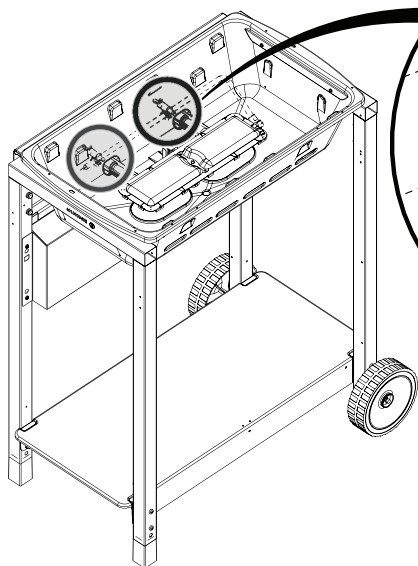
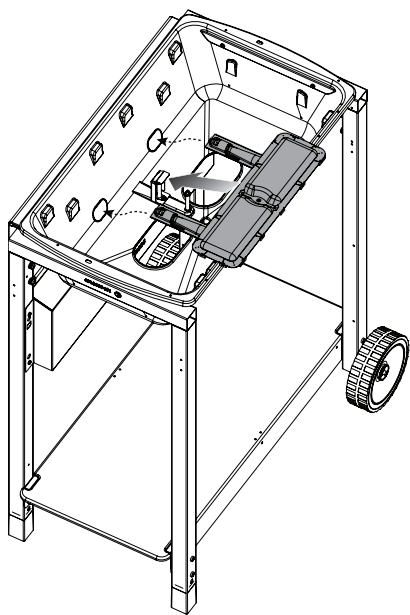
X 1

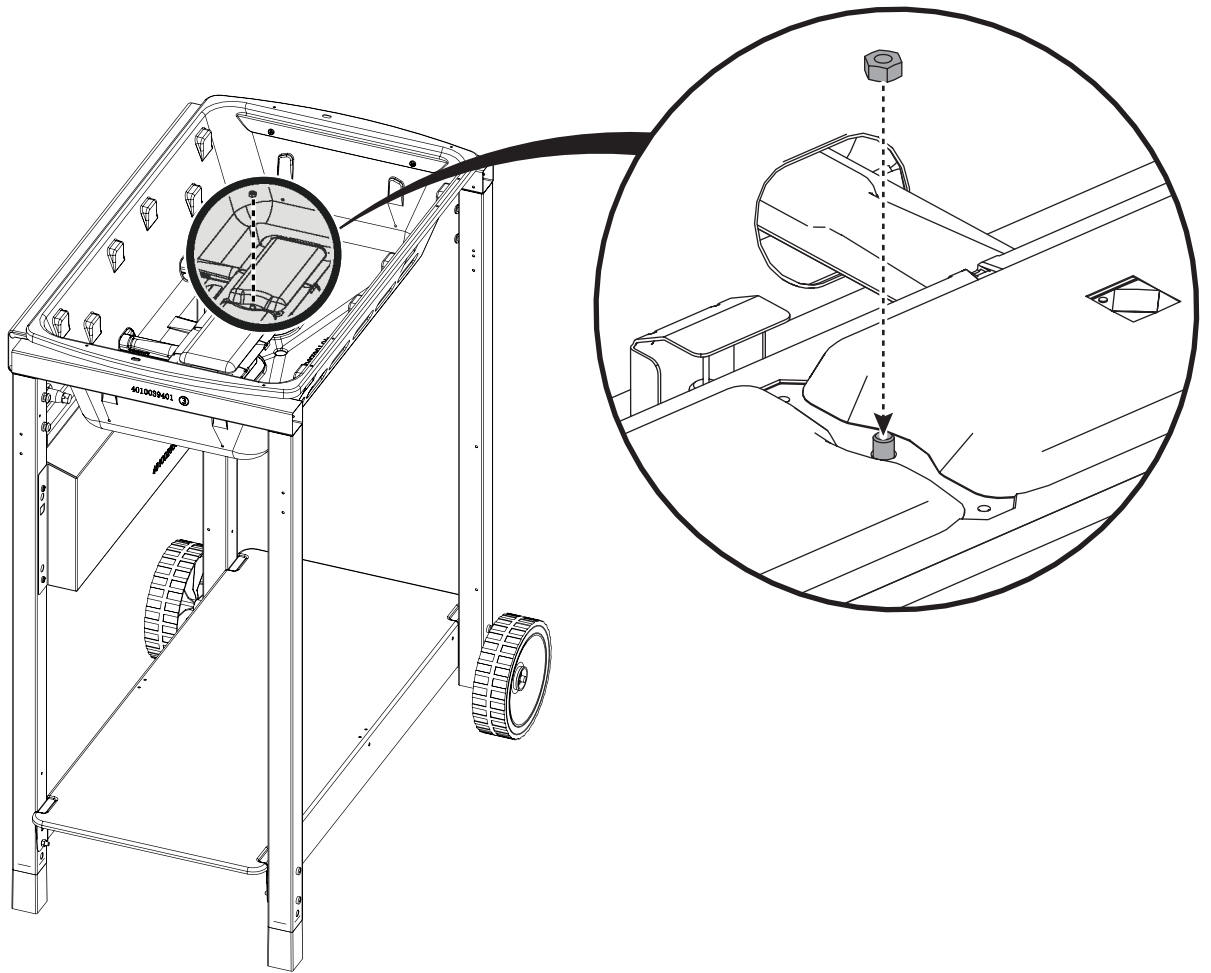
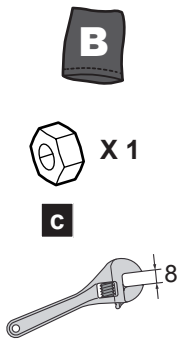


X 1

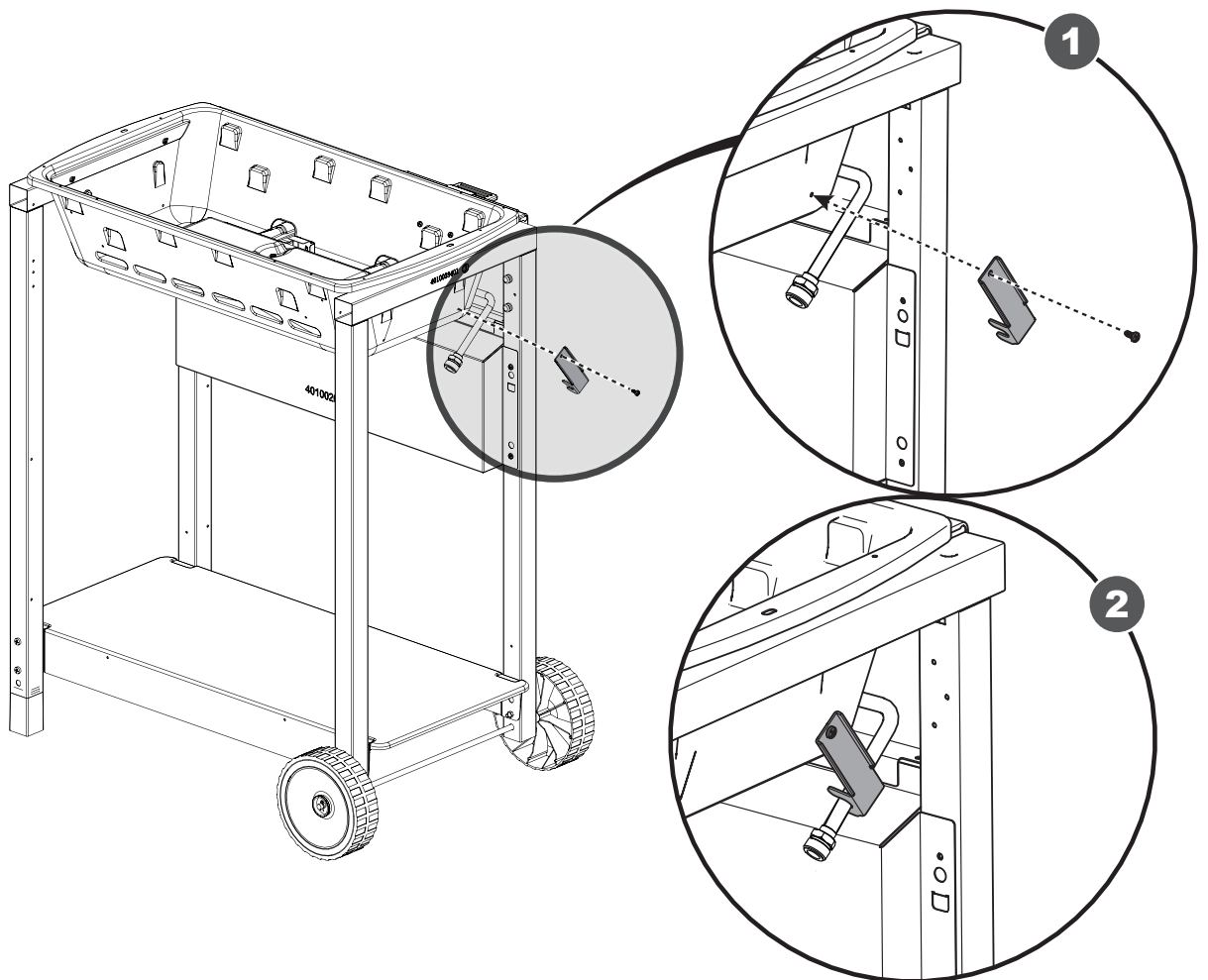
**C**







# 11



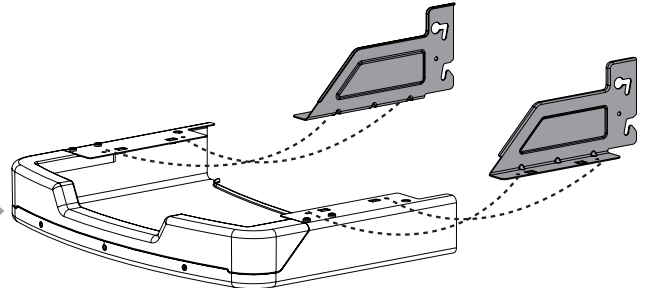
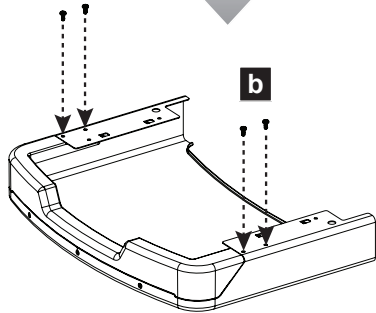
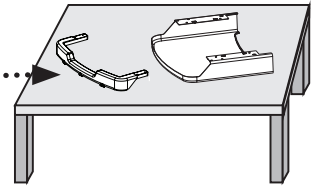
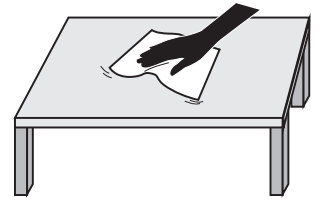
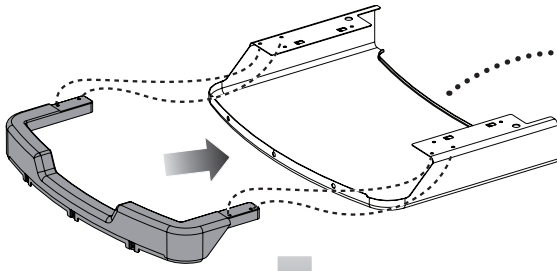


# 12



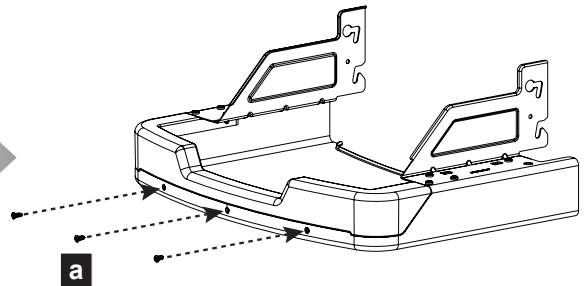
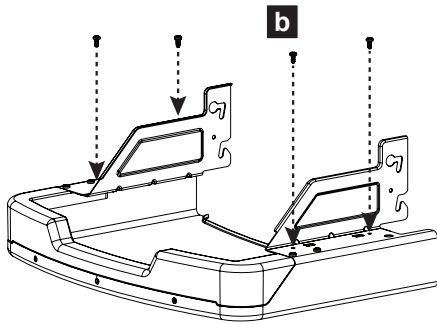
X 8

b



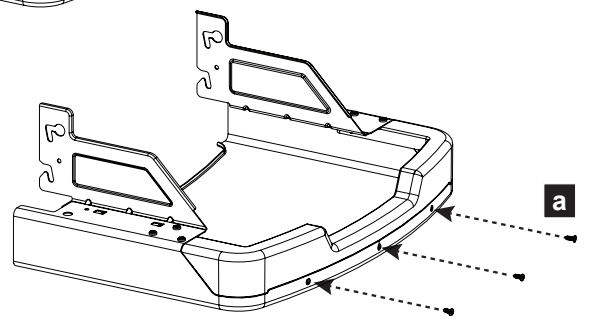
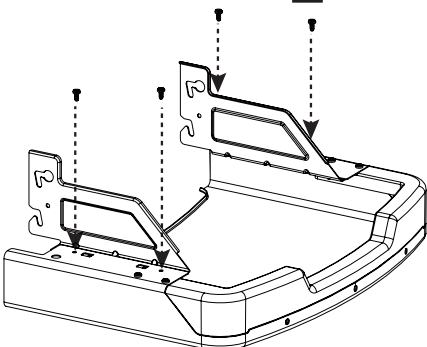
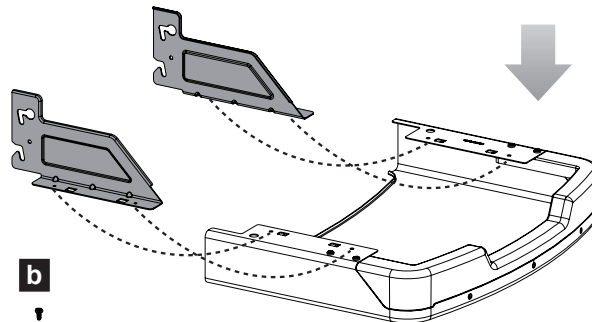
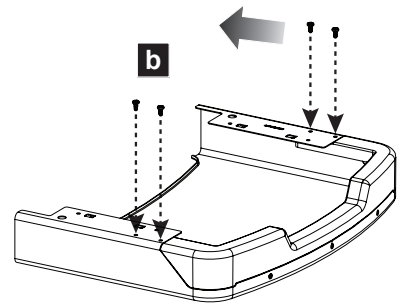
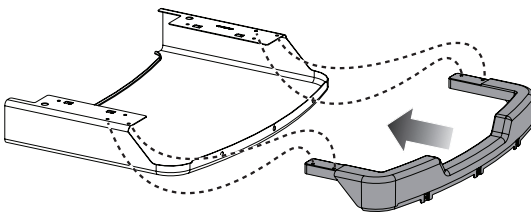
X 3

a



X 8

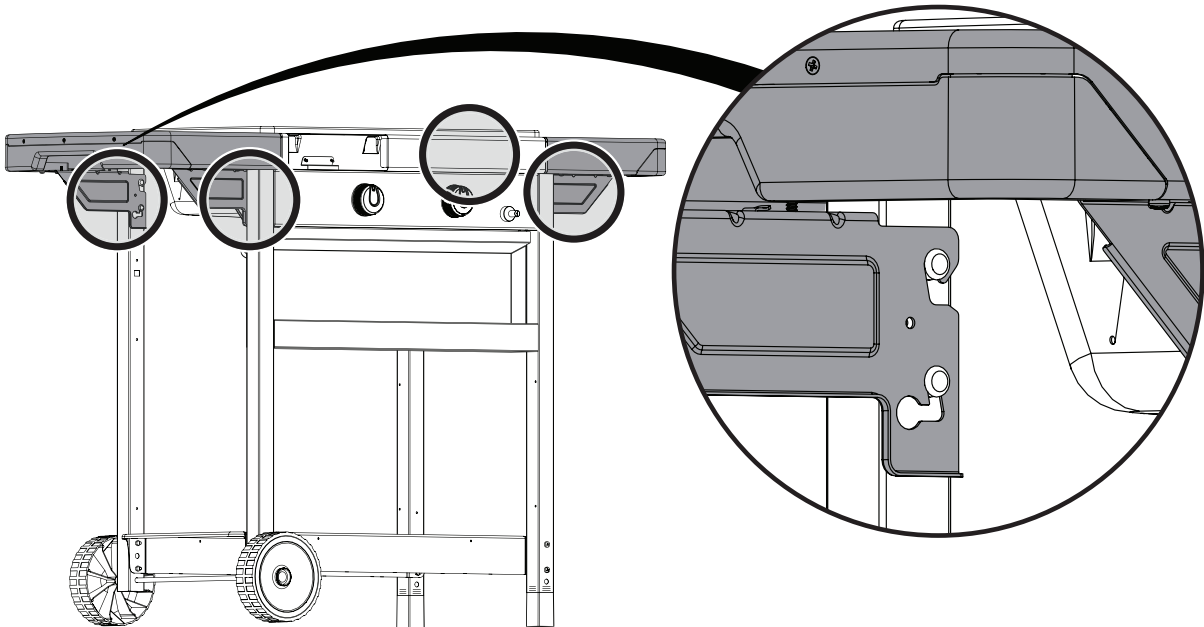
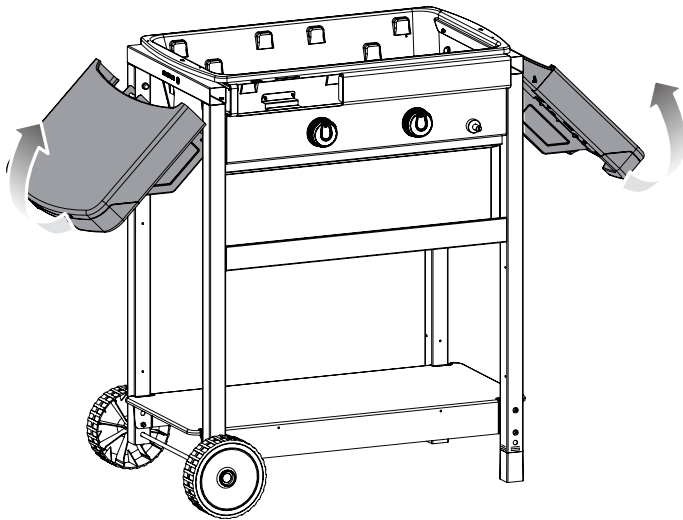
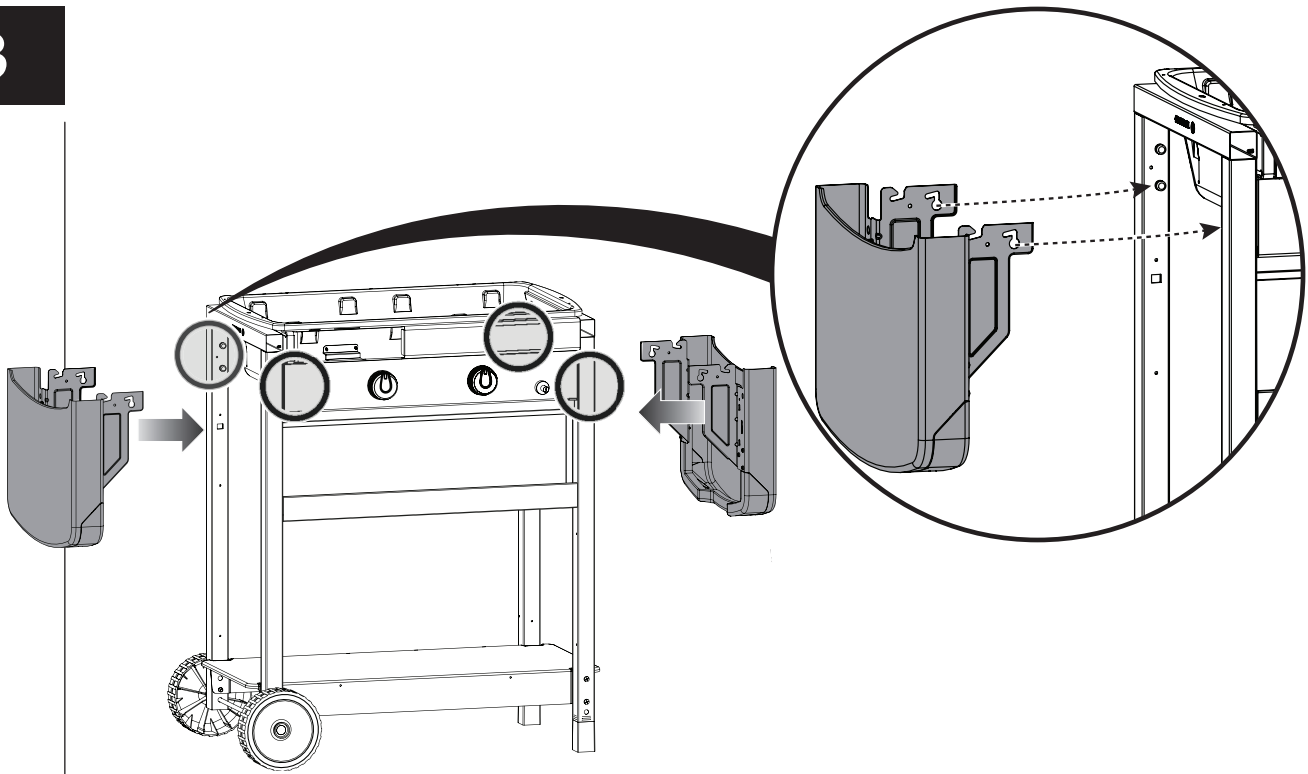
b



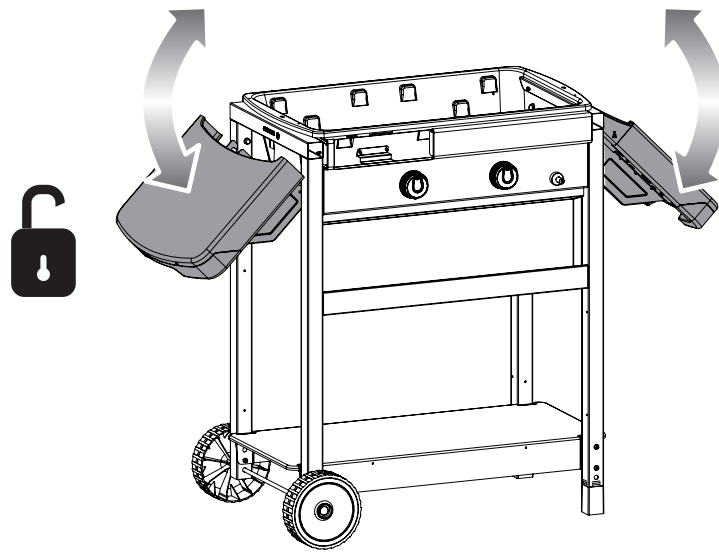
X 3

a

13

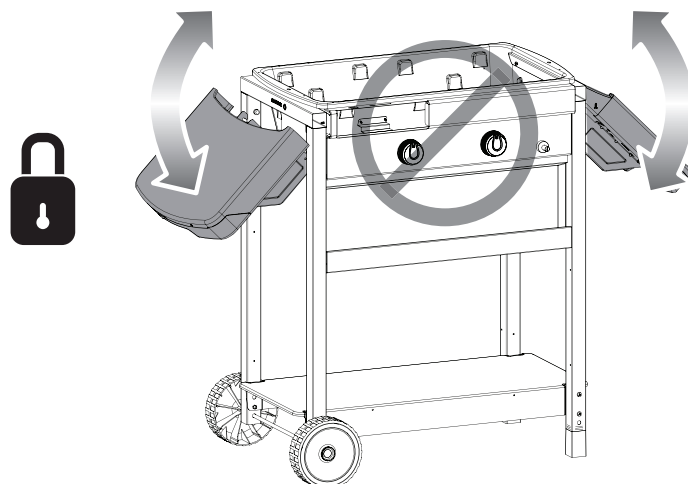
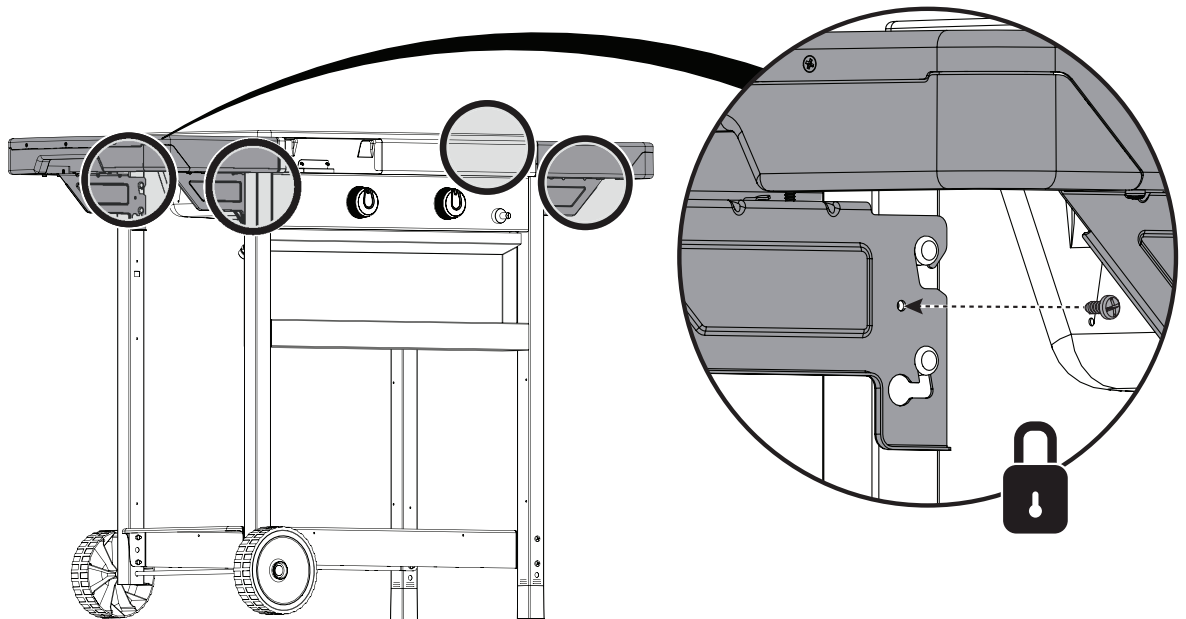


# OPTION 1



# OPTION 2

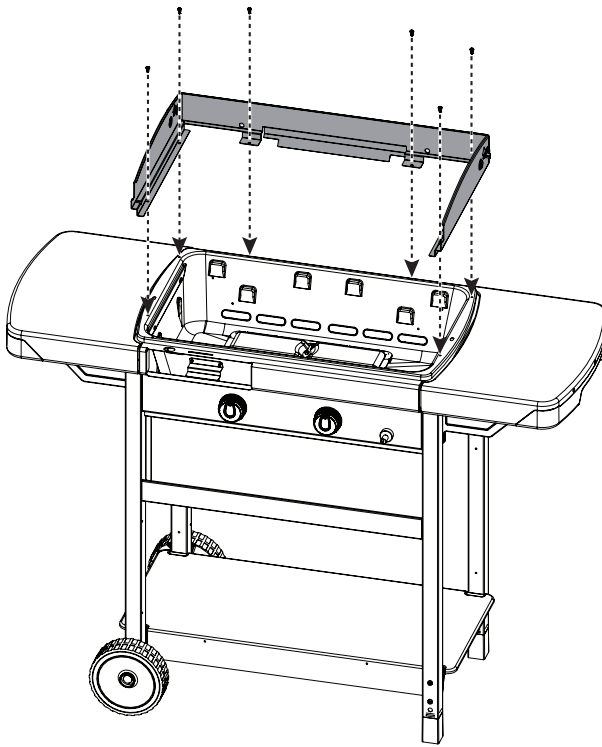
- B**
- b** X 4



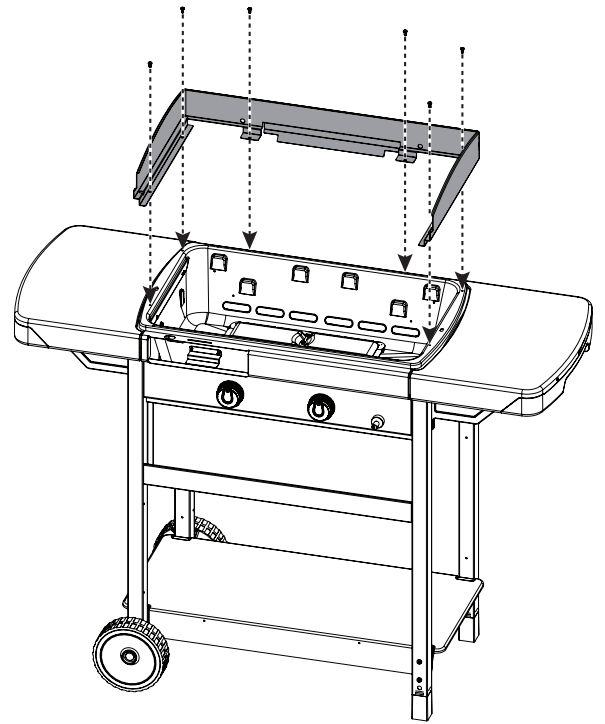
14



X 6



Plancha EX Plus

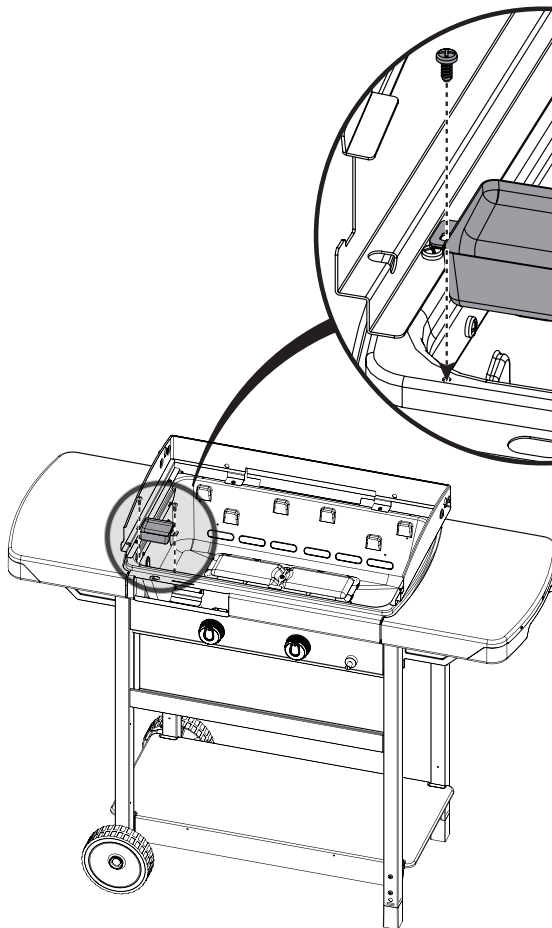


Plancha EXB Plus  
Plancha EX Extra

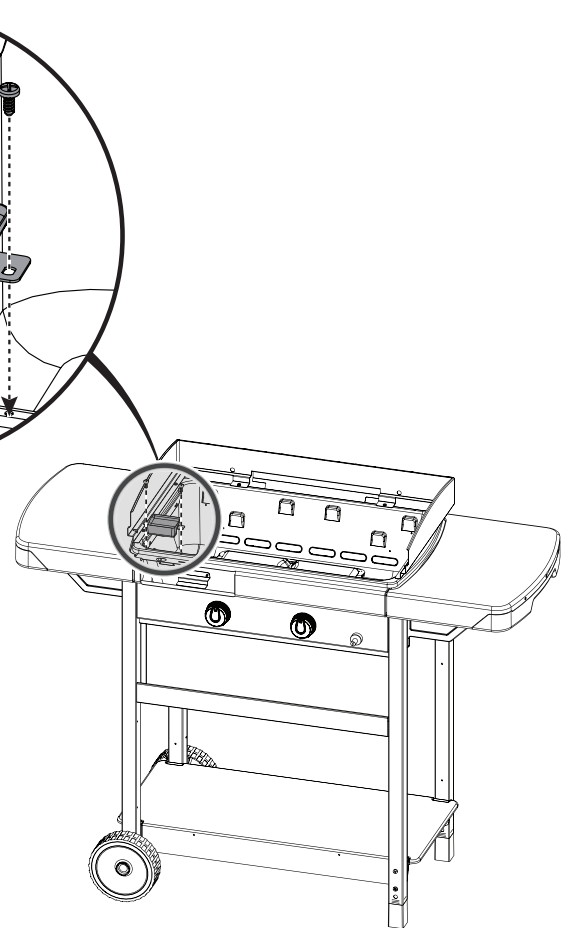
15



X 2



Plancha EX Plus

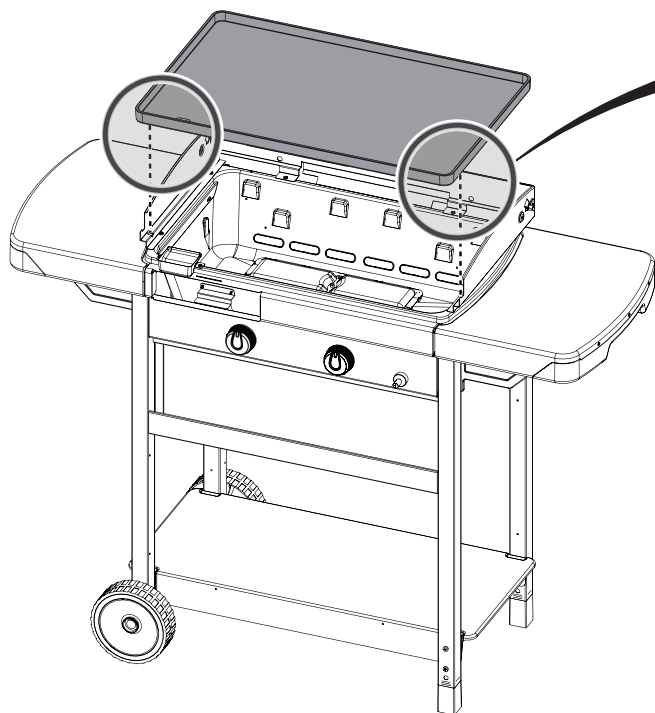


Plancha EXB Plus  
Plancha EX Extra

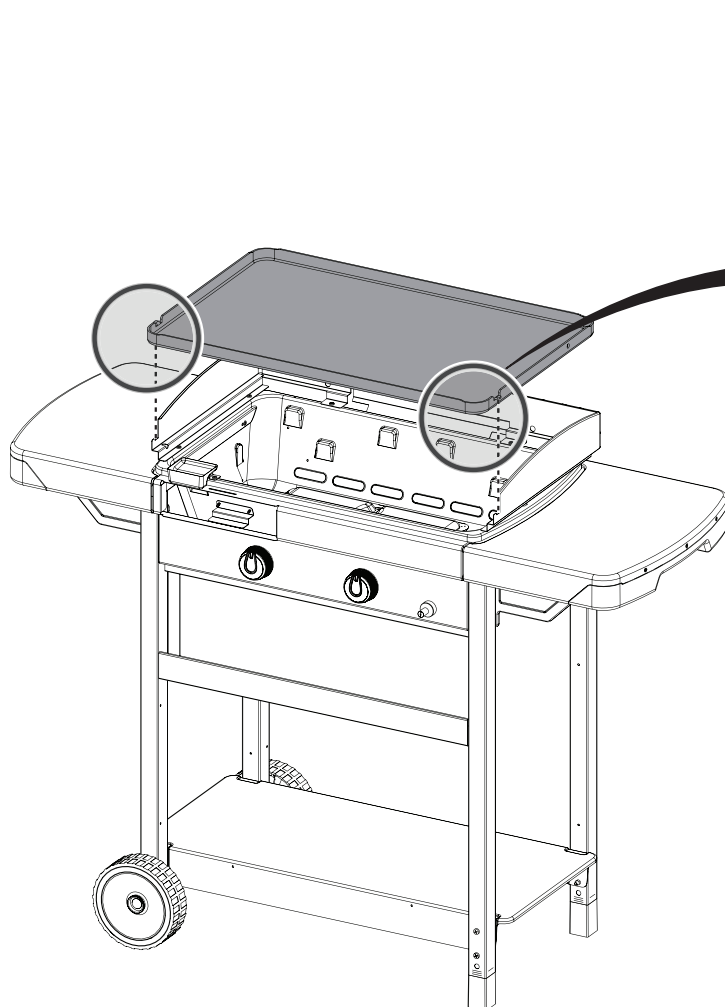
**16**

**Plancha  
EX Plus**

**Plancha  
EX Extra**

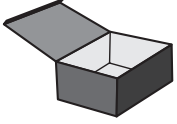


**Plancha  
EXB Plus**

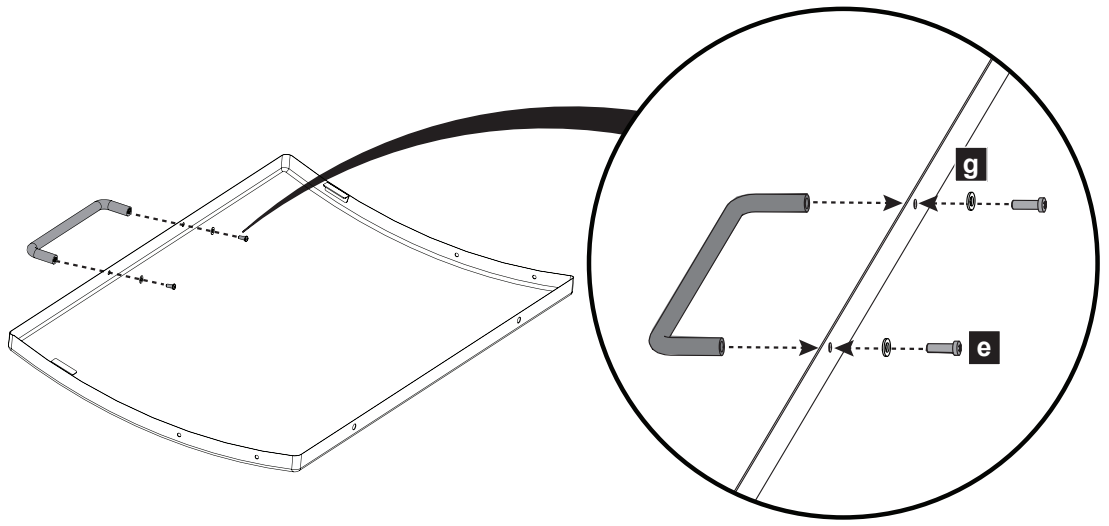


# 17

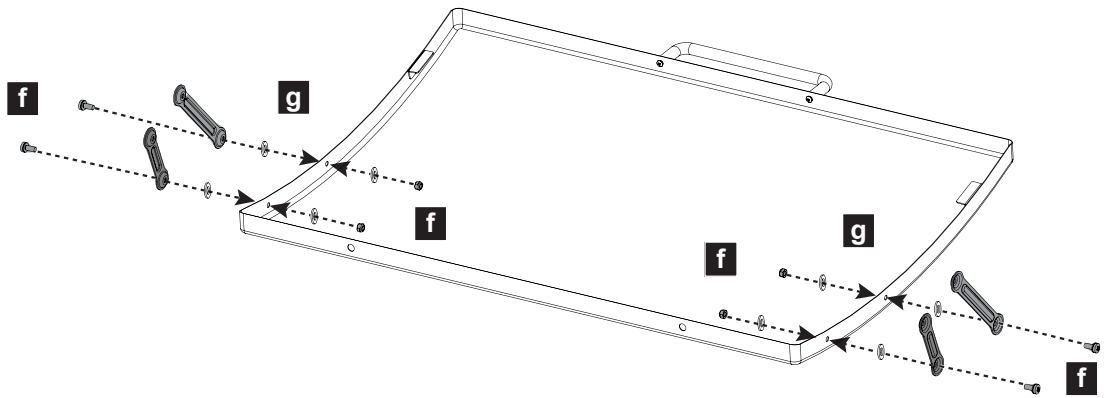
## Plancha EX Plus



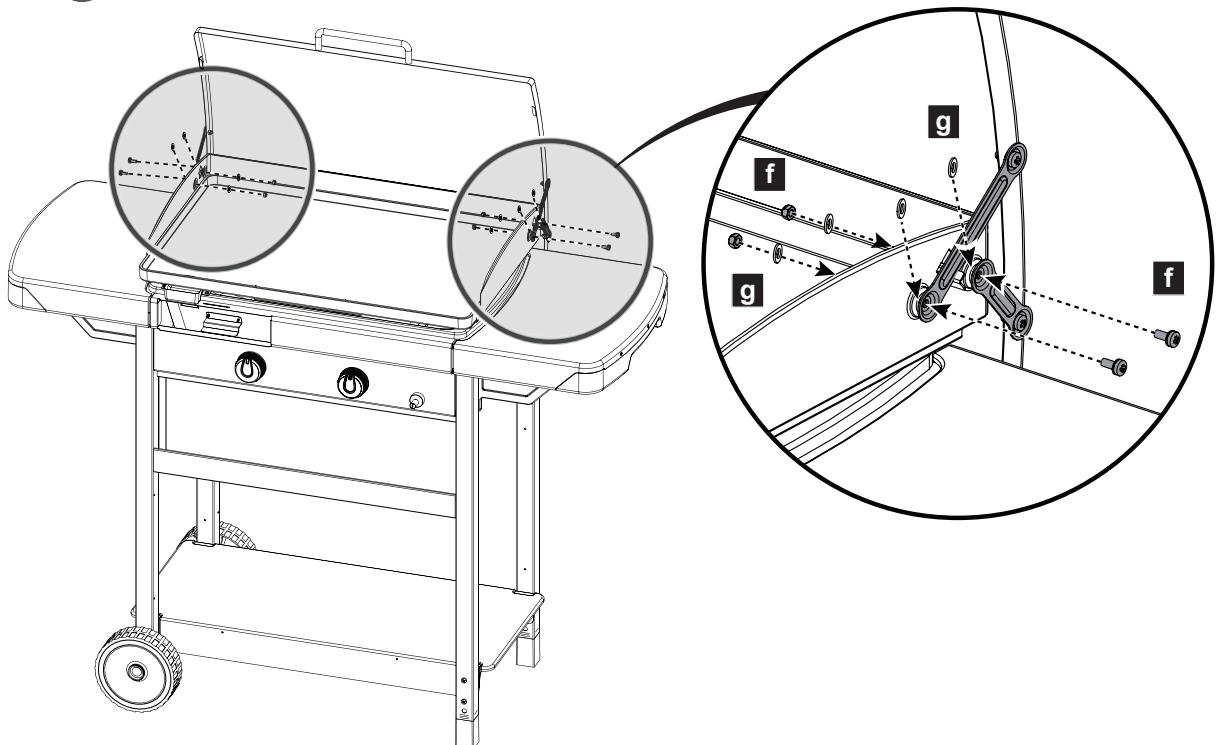
1



2



3



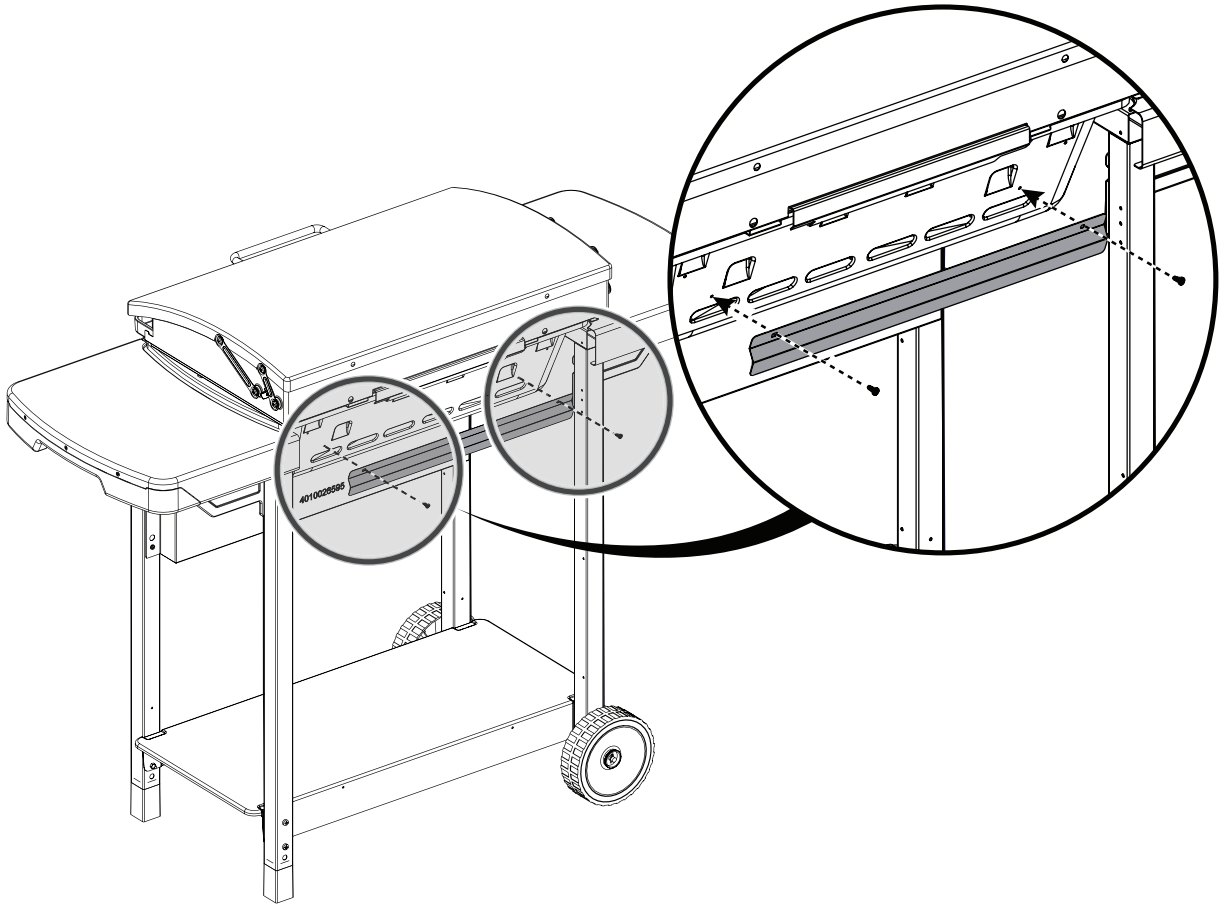
**18**

**Plancha EX**



 X 2

**b**



**19**

**Plancha EX Plus**

**Plancha EX Extra**

**Plancha EXB Plus**

