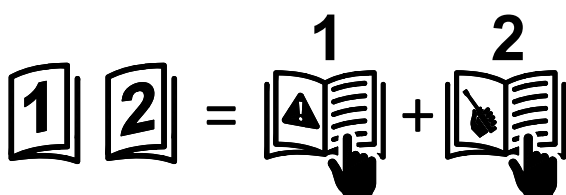
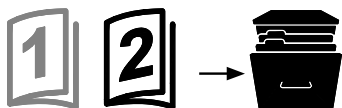
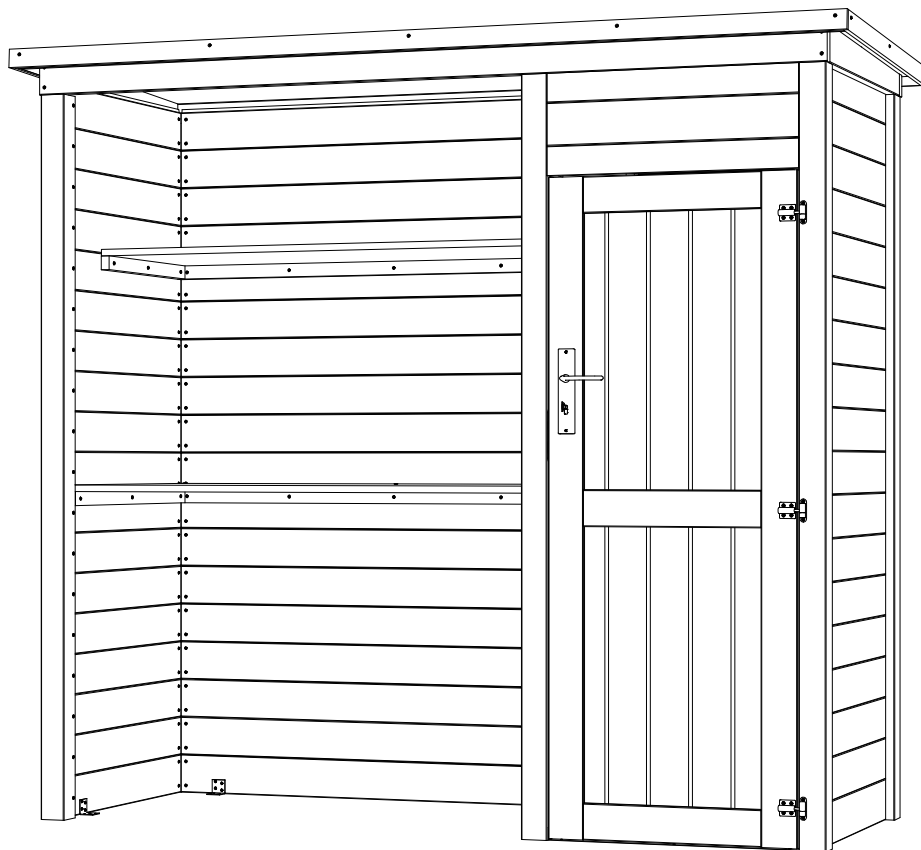
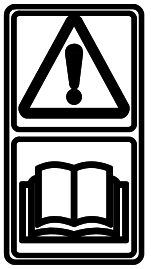


Etabli et rangement  
19mm  
10370-000 - B-00134



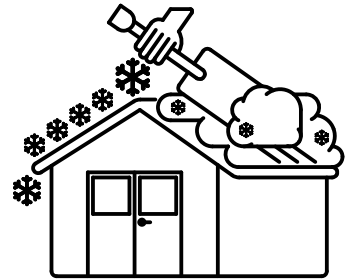
[EN] Assembly notice - keep for later reference.  
 [FR] Notice de montage à conserver pour consultations ultérieures.  
 [NL] Te bewaren gebruiksaanwijzingen voor latere raadplegingen.  
 [DE] Montageleitung nicht wegwerfen, bewahren Sie diese für später.  
 [IT] Manuale di montaggio da conservare per ulteriori consultazioni.  
 [ES] Debe conservar las instrucciones de montaje para consultas posteriores.  
 [PT] Instruções de montagem a guardar para consultas futuras.



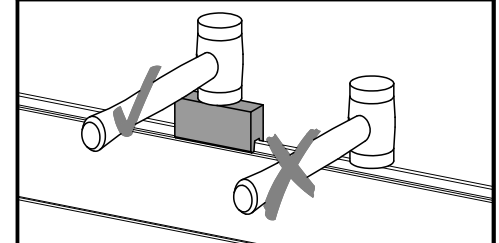
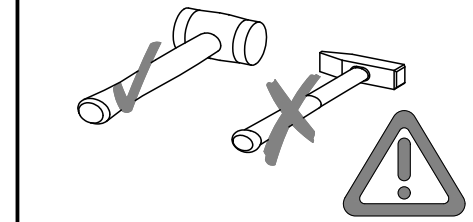
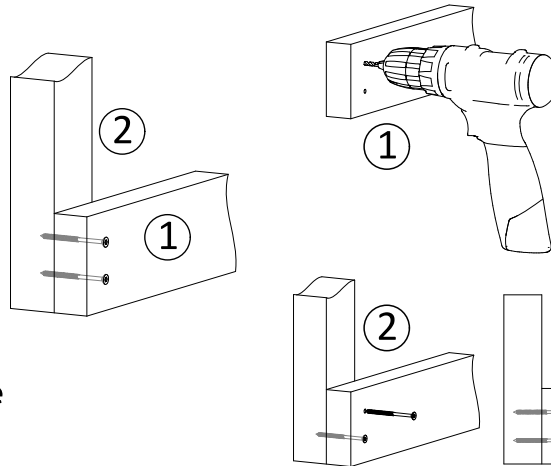
max. 50kg/m<sup>2</sup>



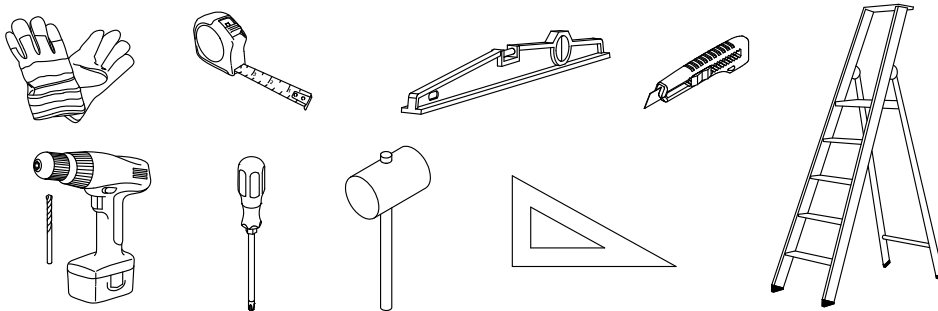
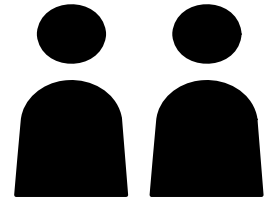
max. 100km/h



[EN] **Predrill**  
 [FR] **Préforer**  
 [NL] **Voorboren**  
 [DE] **Vorboren**  
 [IT] **Preforare**  
 [ES] **Preforar previamente**  
 [PT] **Perfuração**



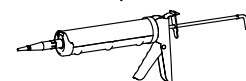
[EN] **Tools needed to provide before assembly.**  
 [FR] **Outillage nécessaire à prévoir avant le montage.**  
 [NL] **Te voorziene gereedschappen bij aanvang van de montage.**  
 [DE] **Für die Montage notwendiges Werkzeug vorsehen.**  
 [IT] **Utensili necessari da prevedere prima del montaggio.**  
 [ES] **Preparar herramientas necesarias antes del montaje.**  
 [PT] **Prepare as ferramentas necessárias antes da montagem.**



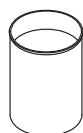
[EN] **2 persons**  
 [FR] **2 personnes**  
 [NL] **2 personen**  
 [DE] **2 Personen**  
 [IT] **2 persone**  
 [ES] **2 personas**  
 [PT] **2 pessoas**

[EN] **Significant complements not included.**  
 [FR] **Compléments importants non inclus.**  
 [NL] **Belangrijke aanvullingen niet inbegrepen.**  
 [DE] **Wichtige Zubehörteile nicht im Lieferumfang**  
 [IT] **Supplementi importanti non inclusi.**  
 [ES] **Complementos importantes no incluidos.**  
 [PT] **Complementos importantes não incluídos.**

Silicone / Mastic



[EN] **Glue for the roof.**  
 [FR] **Colle pour le feutre bitumeux.**  
 [NL] **Lijm voor het dak.**  
 [DE] **Klebstoff für das Dach.**  
 [IT] **Colla per tela bitumata.**  
 [ES] **Pegamento para tela asfáltica.**  
 [PT] **Cola para tecido asfáltico.**

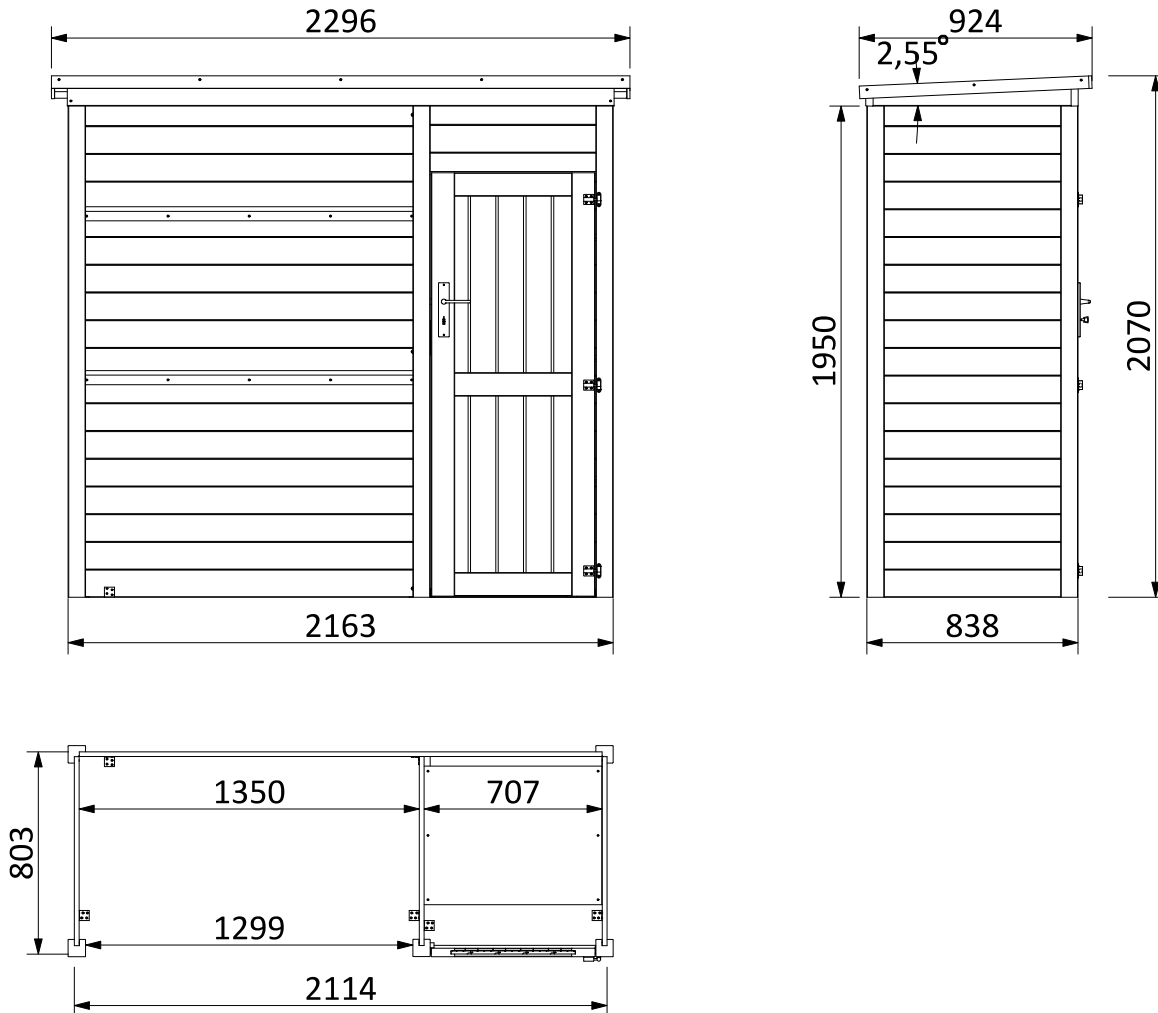


[EN] **Wood preserver for the outside : 2 layers before assembly.**  
 [FR] **Protection pour le bois en extérieur : 2 couches avant montage.**  
 [NL] **Bescherming van het hout: 2 lagen voor de montage.**  
 [DE] **Holzschutz für Aussenanwendung: 2 Lagen vor dem Zusammenbau.**  
 [IT] **Protezione per il legno in esterno : due mani prima del montaggio.**  
 [ES] **Protección para la madera de exteriores: 2 manos antes del montaje.**  
 [PT] **Proteção para madeira exterior: 2 demãos antes da montagem.**

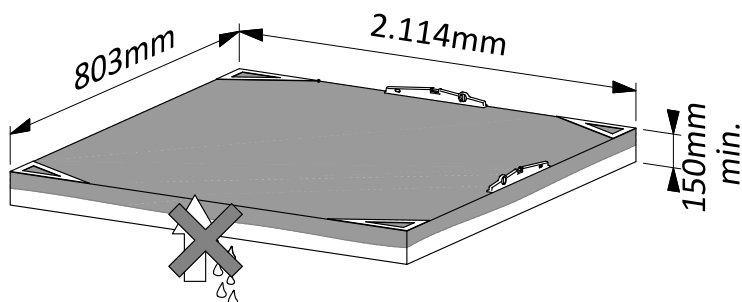
# Etabli et rangement

## 19mm

### 10370-000 - B-00134



- [EN] Laying on a perfectly flat and level concrete slab (*not included*)  
 [FR] Pose sur dalle béton parfaitement plate et de niveau (*non incluse*)  
 [NL] Plaatsen op een perfect vlakke betontegel (*niet inbegrepen*)  
 [DE] Montage auf einer ebenen, befestigten Fläche (*Material nicht inbegriffen*)  
 [IT] Posare su pavimenti in cemento perfettamente in piano e livellato (*non incluso*)  
 [ES] Colocar sobre losa de hormigón perfectamente plana y nivelada (*non incluida*)  
 [PT] Montagem sobre laje de betão perfeitamente plana e nivelada (*não incluído*)



503697 : x1  
12x50/2296mm

503398 : x1  
24x38/2270mm

503702 : x2  
28x94/786mm/2,5°

503701 : x1  
28x94/2170mm

600594 : x1  
900x2270/14mm

501968 : x2  
12x50/911mm

503695 : x1  
29x59/2170mm

503693 : x1  
19x75/657mm

503698 : x1  
19x110/657mm

502028 : x2  
24x38/260mm

503692 : x1  
19x85/657mm

503704 : x2  
69x69/1950mm

420208 : x1  
650x1680mm

50345 : x54  
19x110/750mm

502281 : x1  
15x20/1642mm

503703 : x3  
69x69/1950mm

503691 : x18  
19x110/2075mm

600258 : x1  
522x1348/18mm

500613 : x2  
24x38/495mm

600259 : x1  
723x1348/18mm

500065 : x2  
24x38/699mm

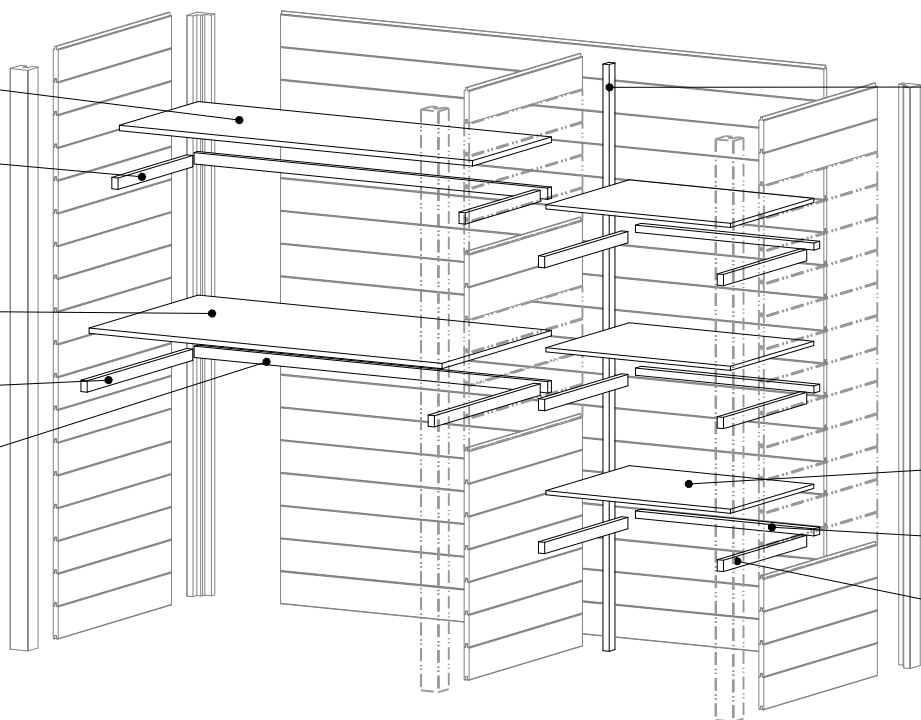
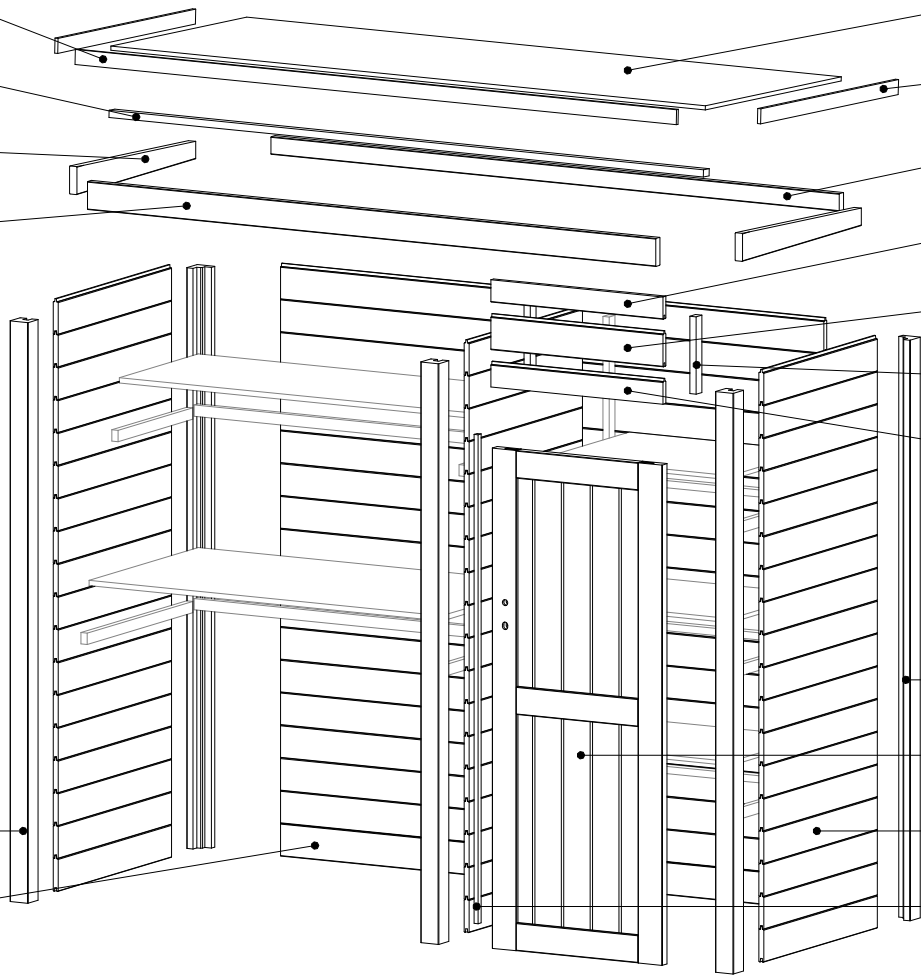
500078 : x2  
24x38/1350mm

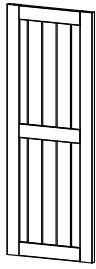
503696 : x1  
24x38/1970mm

600658 : x3  
550x705/14mm

503700 : x3  
24x38/682mm

503699 : x6  
24x38/550mm





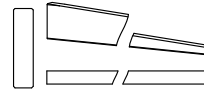
**420208** : 1  
650×1680mm



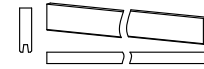
**503703** : 3  
69×69/1950mm



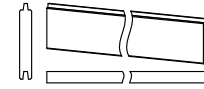
**503704** : 2  
69×69/1950mm



**503702** : 2  
28×94/786mm/2,5°



**503693** : 1  
19×75/657mm



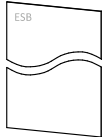
**503691** : 18  
19×110/2075mm  
**503698** : 1  
19×110/657mm  
**50345** : 54  
19×110/750mm



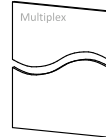
**503692** : 1  
19×85/657mm



**503697** : 1  
12×50/2296mm  
**501968** : 2  
12×50/911mm  
**502281** : 1  
15×20/1642mm  
**500078** : 2  
24×38/1350mm  
**503696** : 1  
24×38/1970mm  
**503398** : 1  
24×38/2270mm  
**502028** : 2  
24×38/260mm  
**500613** : 2  
24×38/495mm  
**503699** : 6  
24×38/550mm  
**503700** : 3  
24×38/682mm  
**500065** : 2  
24×38/699mm  
**503701** : 1  
28×94/2170mm  
**503695** : 1  
29×59/2170mm



**600658** : 3  
550×705/14mm  
**600594** : 1  
900×2270/14mm



**600258** : 1  
522×1348/18mm  
**600259** : 1  
723×1348/18mm

**Kit 700360A + 700360B**

	3010	∅3,5×16mm	53
	3012	∅3,5×25mm	18
	3013	∅3,5×30mm	18
	3014	∅3,5×35mm	30
	3023	∅4×40mm	241
	3025	∅4×50mm	21
	3027	∅4×60mm	81
	3029	∅4×70mm	8
	2915	∅4mm	1

**Kit 700062**

	3810	∅2×15mm	46



**800000** : 1,00×2,50m : 1

**Kit 700229**

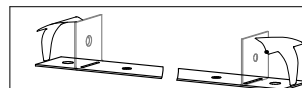
	2113	1		2081	3
	2450	1			

**Kit 700361 : ×4**

	2386	32×32/15mm	10
--	------	------------	----

**Kit 700210 : ×3**

	2382	40×40/40mm	6
--	------	------------	---



**2274** : 657mm : 1

# 1

## A=

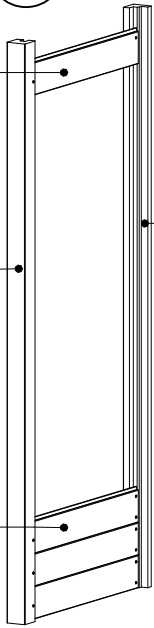
(\*) 50345  
19x110/750mm



503703  
69x69/1950mm



50345 : x3  
19x110/750mm



503704  
69x69/1950mm

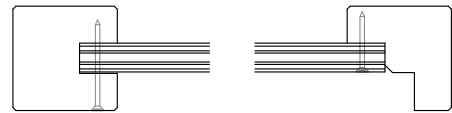
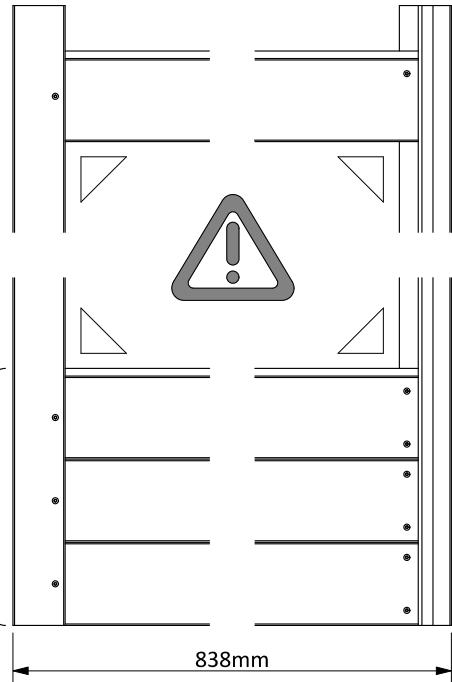


3027  
ø4x60  
= 1 /

3027  
ø4x60  
= 1 /  
**x3**

3023  
ø4x40  
= 1 /

3023  
ø4x40  
= 2 /  
**x3**



# 2

## B=

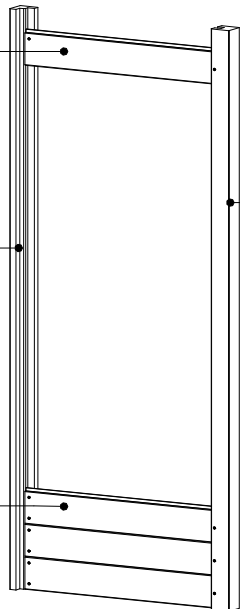
(\*) 50345  
19x110/750mm



503704  
69x69/1950mm



50345 : x3  
19x110/750mm



503703  
69x69/1950mm

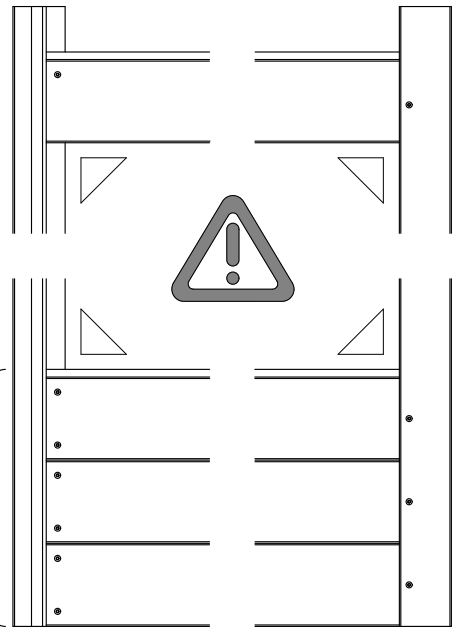


3023  
ø4x40  
= 1 /

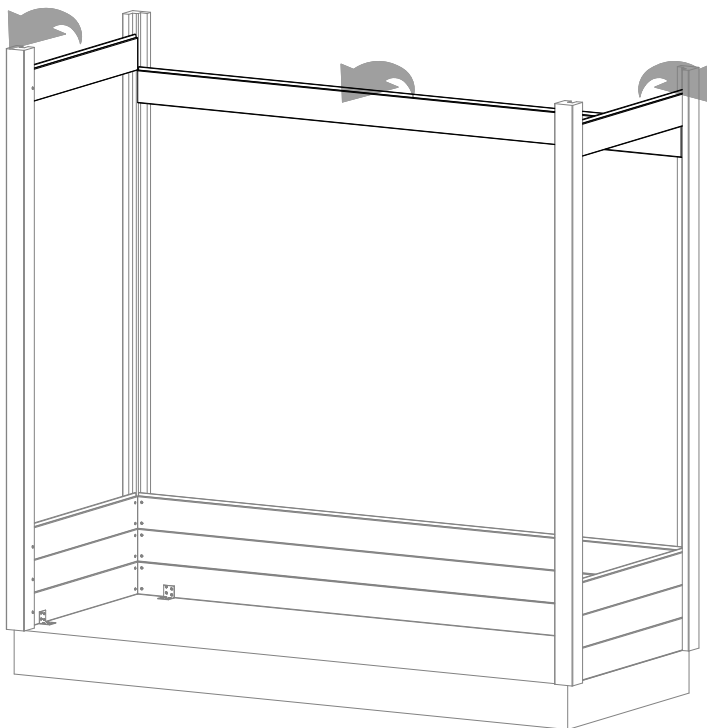
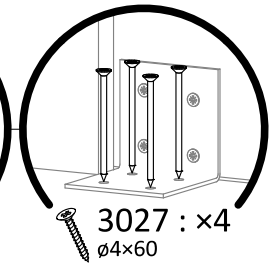
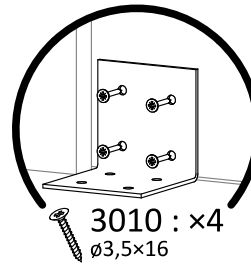
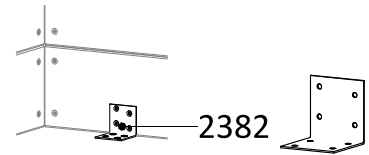
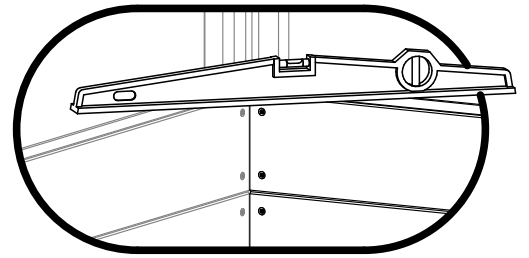
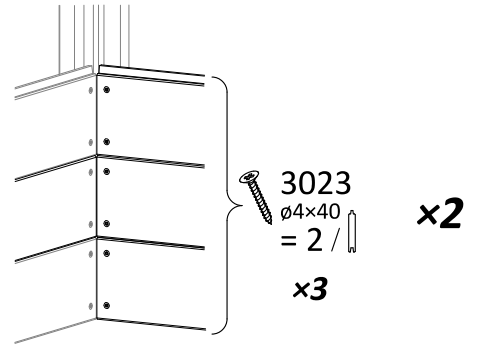
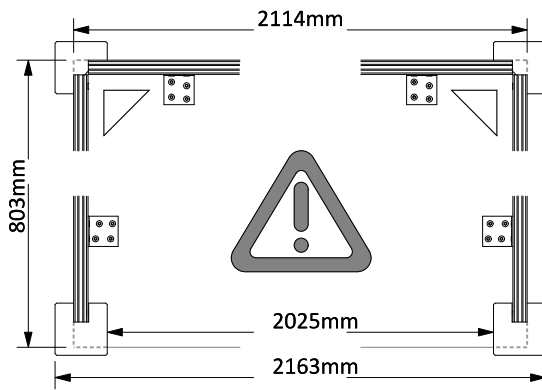
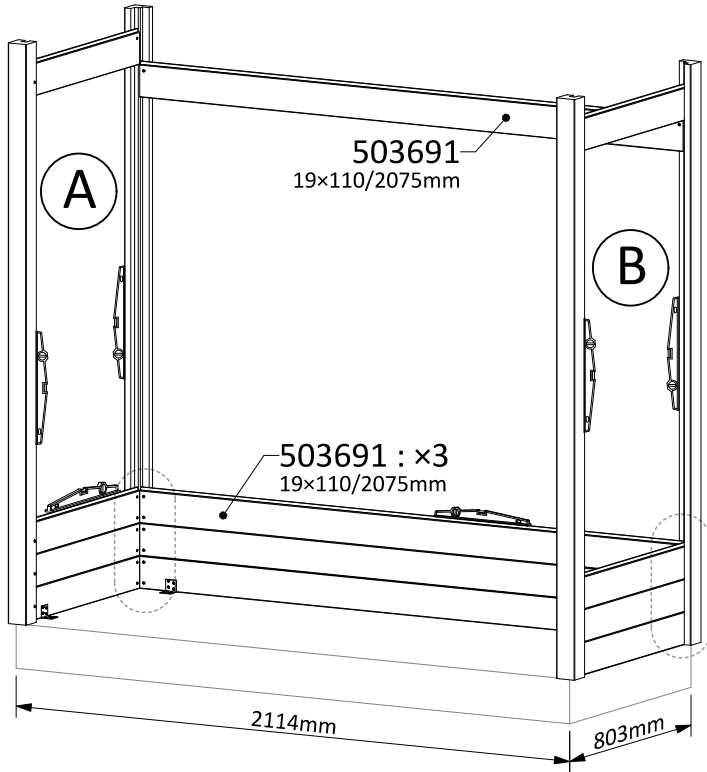
3023  
ø4x40  
= 2 /  
**x3**

3027  
ø4x60  
= 1 /


3027  
ø4x60  
= 1 /  
**x3**



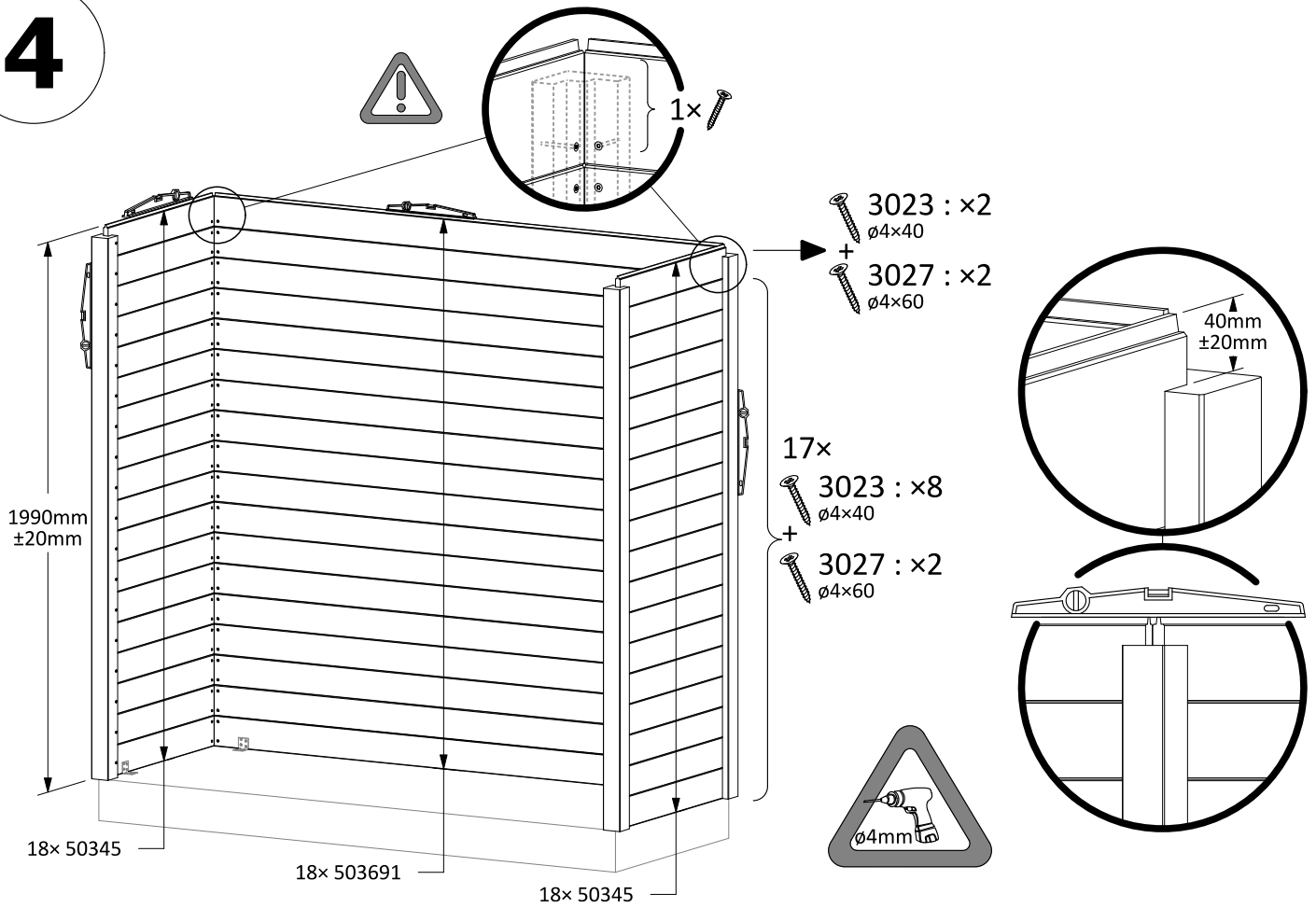
# 3



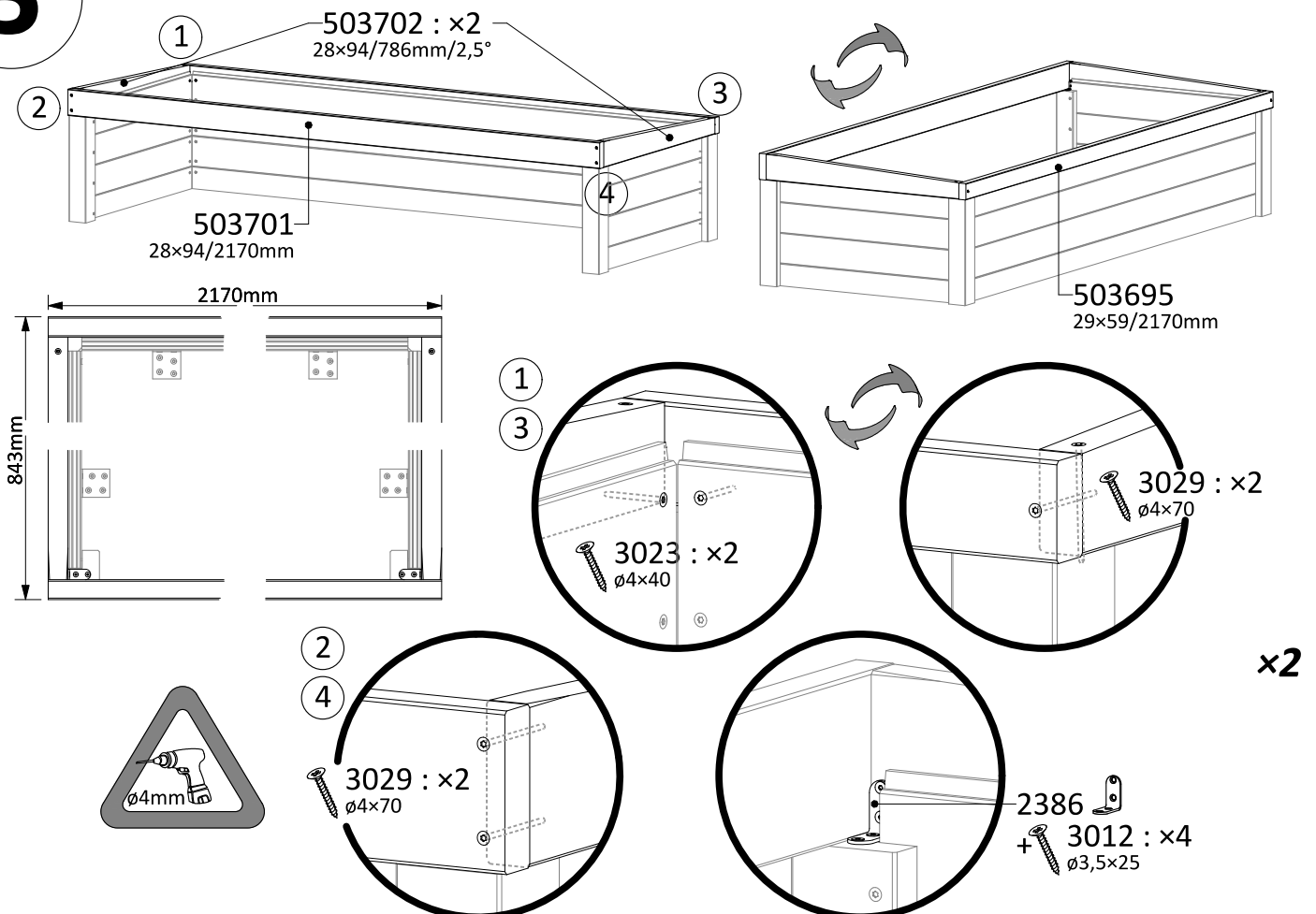
**x4**

+  [EN] not included  
 [FR] non incluse  
 [NL] niet inbegrepen  
 [DE] nicht einbegriffen  
 [IT] non incluso  
 [ES] non incluida  
 [PT] não incluído

# 4



# 5



# 6

C=



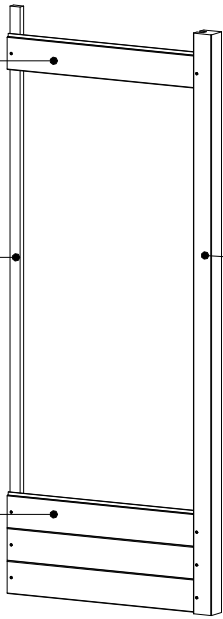
(\*) 50345  
19x110/750mm



503696  
24x38/1970mm

503703  
69x69/1950mm

50345 : x3  
19x110/750mm

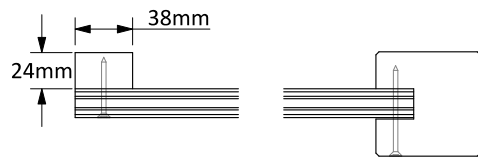
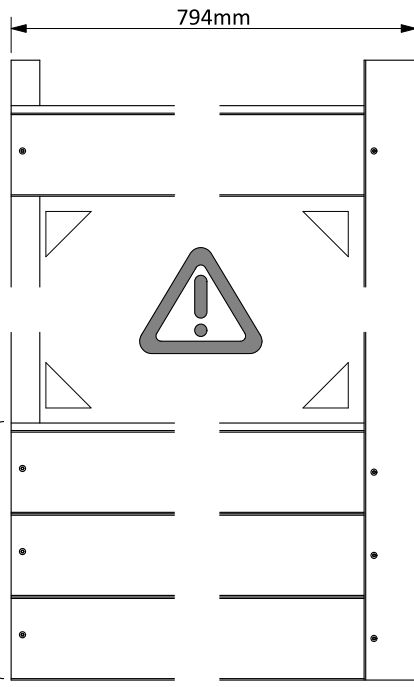


3023  
ø4x40  
= 1 /

3027  
ø4x60  
= 1 /

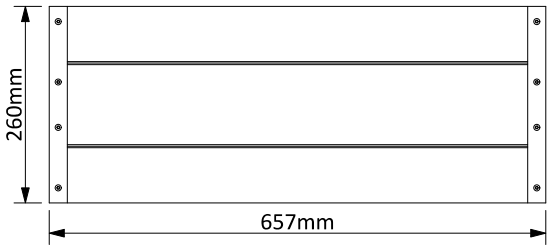
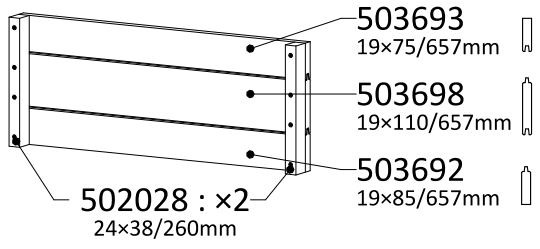
3023  
ø4x40  
= 1 /  
x3

3027  
ø4x60  
= 1 /  
x3

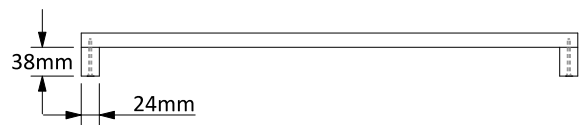


# 7

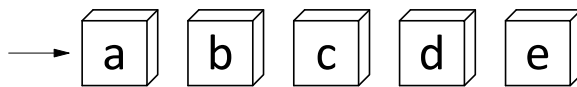
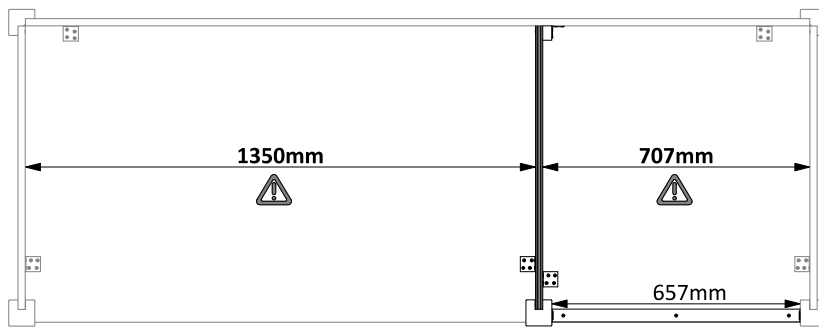
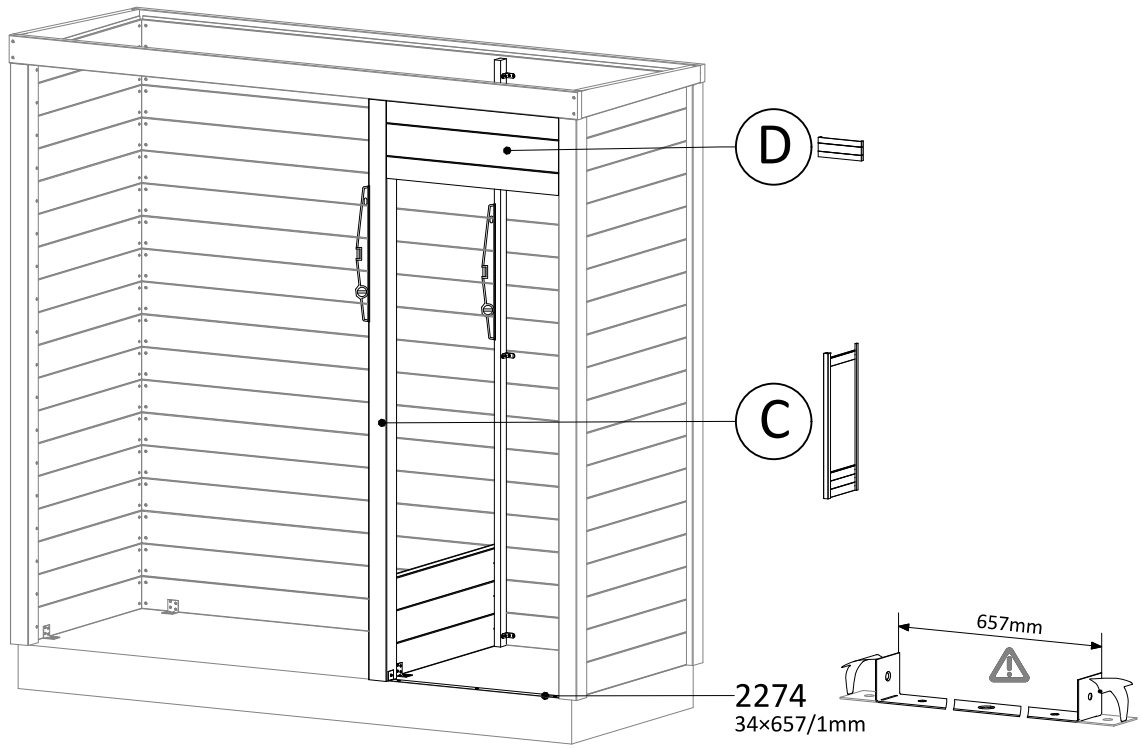
D=



3025 : x8  
ø4x50

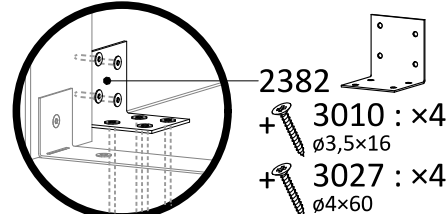
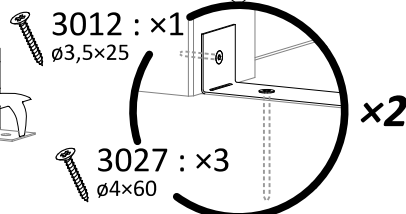
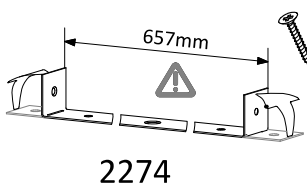
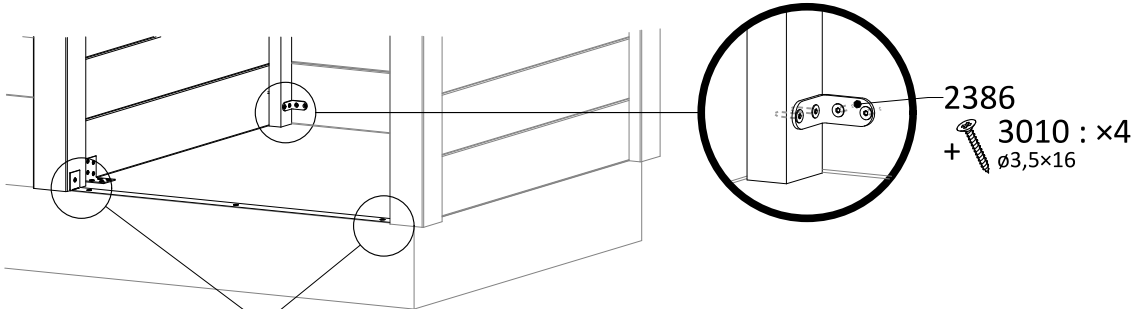


8



# 8

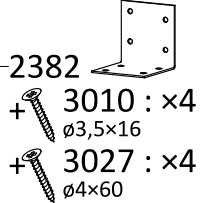
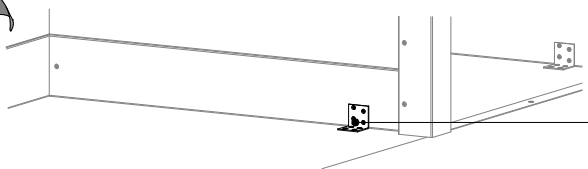
a



+ [EN] not included  
[FR] non incluse  
[NL] niet inbegrepen  
[DE] nicht einbegriffen  
[IT] non incluso  
[ES] non incluida  
[PT] não incluído

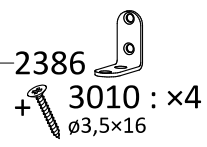
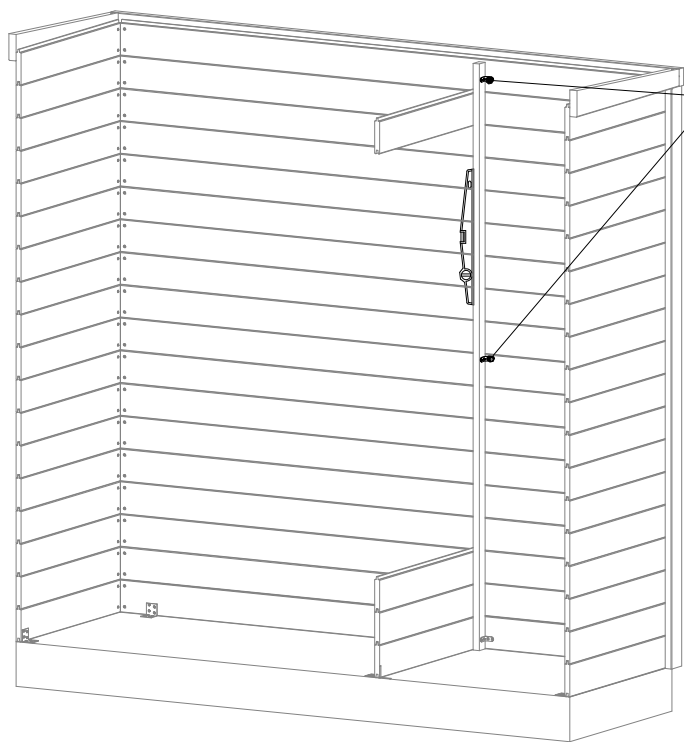
+ [EN] not included  
[FR] non incluse  
[NL] niet inbegrepen  
[DE] nicht einbegriffen  
[IT] non incluso  
[ES] non incluida  
[PT] não incluído

b



+ [EN] not included  
[FR] non incluse  
[NL] niet inbegrepen  
[DE] nicht einbegriffen  
[IT] non incluso  
[ES] non incluida  
[PT] não incluído

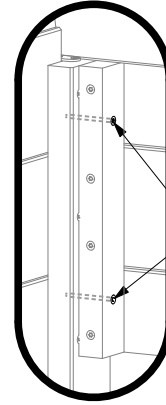
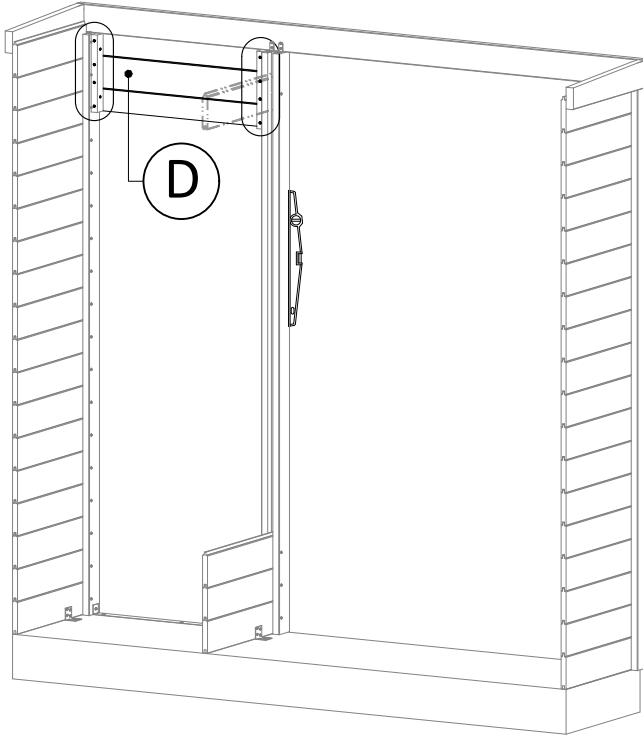
c



x2

8

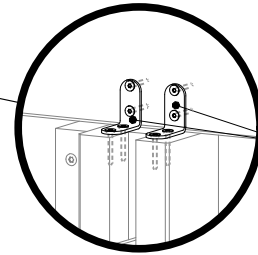
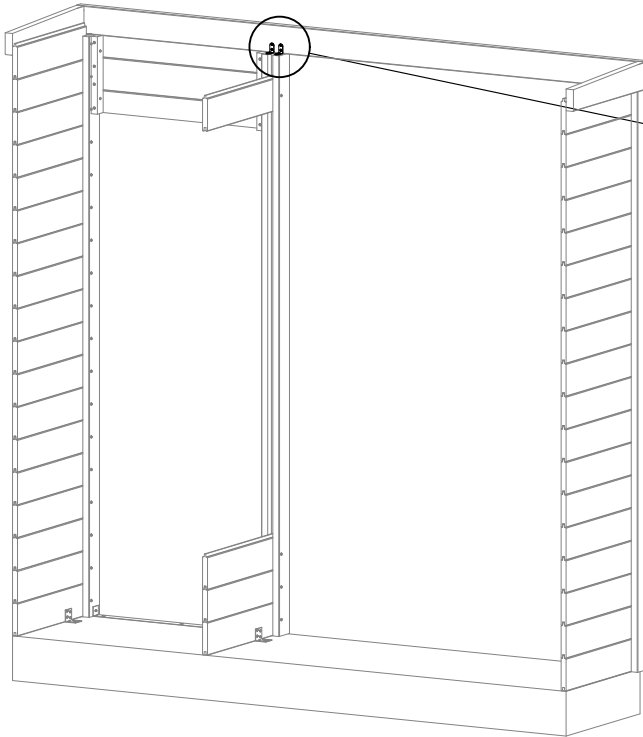
d



3025 : x2  
Ø4x50

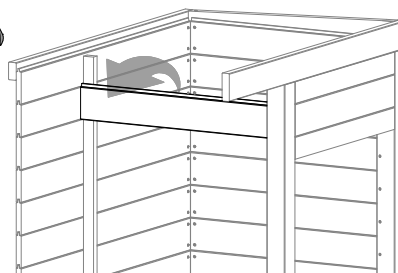
x2

e



2386  
+ 3012 : x4  
Ø3,5x25

x2

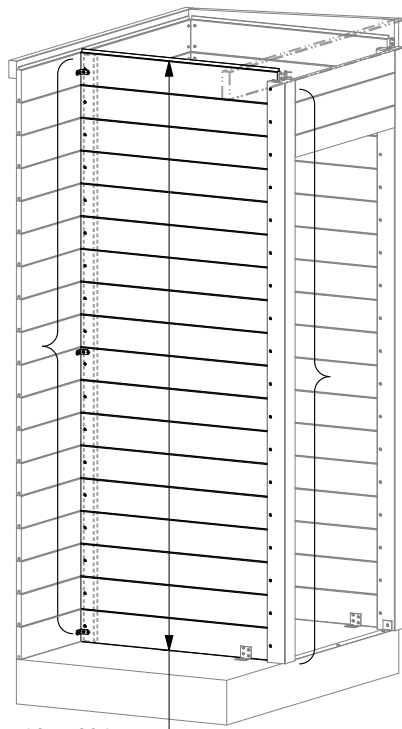


# 9

- 3023  
ø4x40  
= 1 /
- 2386
- + 3012 : x4  
ø3,5x25

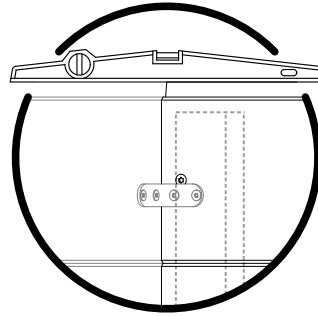
x18

x3



18x 50345

- 3027  
ø4x60  
= 1 /
- x18



# 10

- 2 500613  
24x38/495mm

- + 3023 : x3  
ø4x40

x2

- 1 500078  
24x38/1350mm

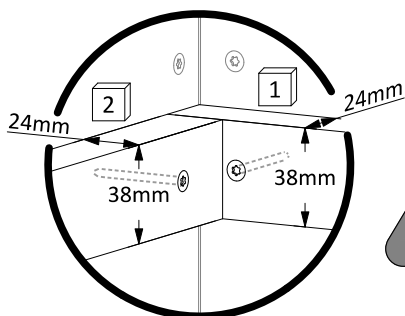
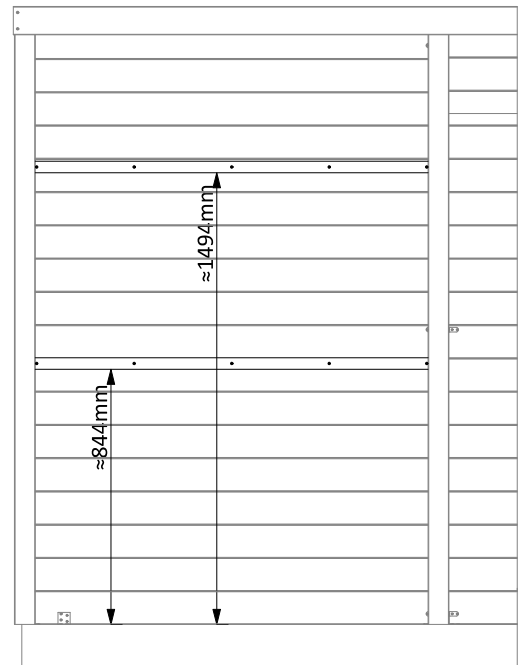
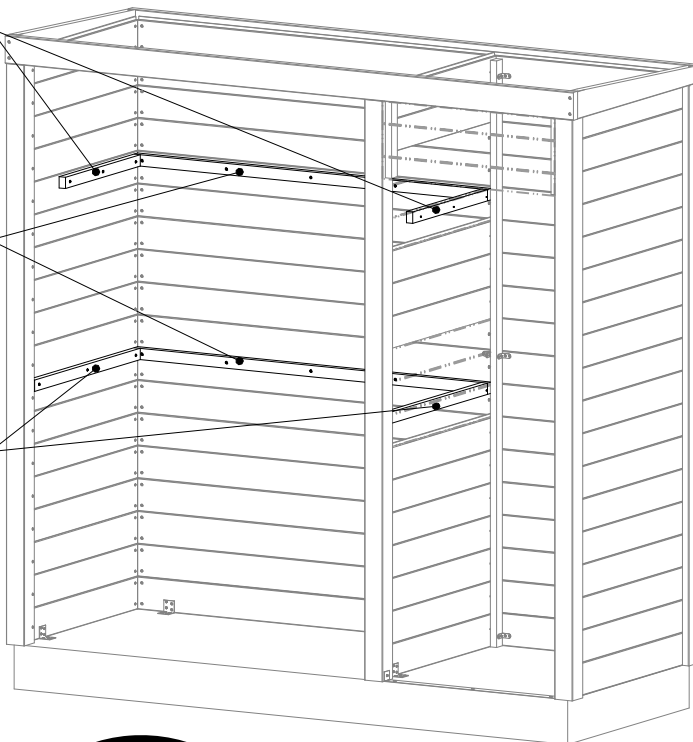
- + 3023 : x5  
ø4x40

x2

- 2 500065  
24x38/699mm

- + 3023 : x3  
ø4x40

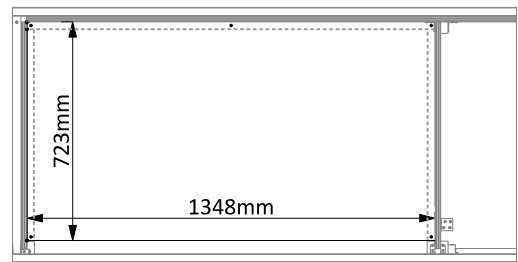
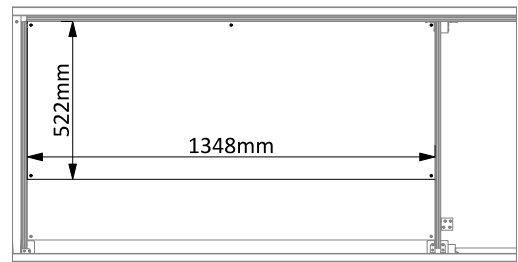
x2



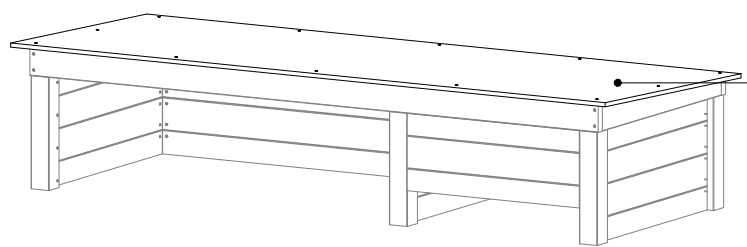
# 11

600258  
522×1348/18mm  
+ 3023 : ×5  
ø4×40

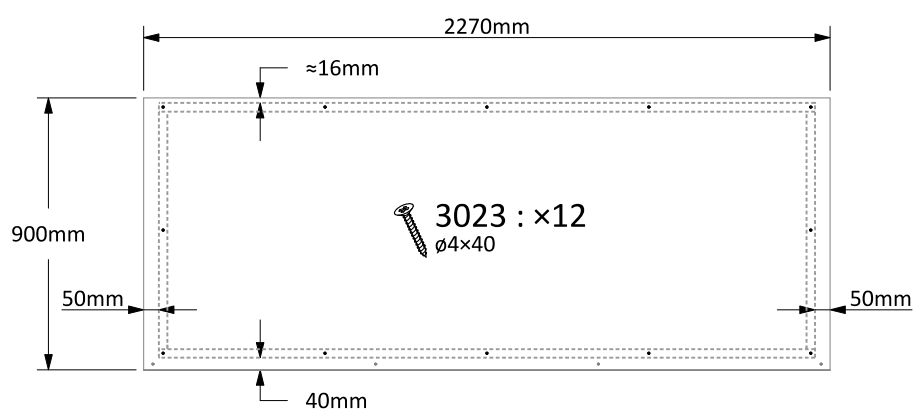
600259  
723×1348/18mm  
+ 3023 : ×5  
ø4×40



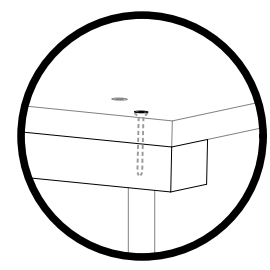
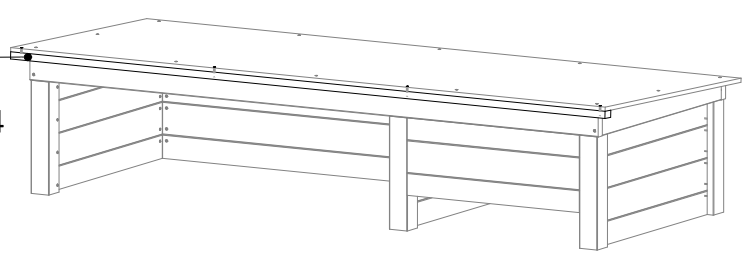
# 12



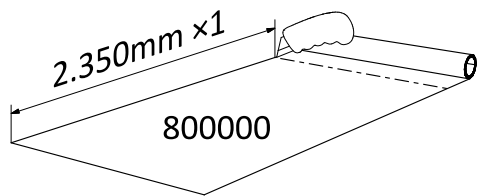
600594  
900×2270/14mm



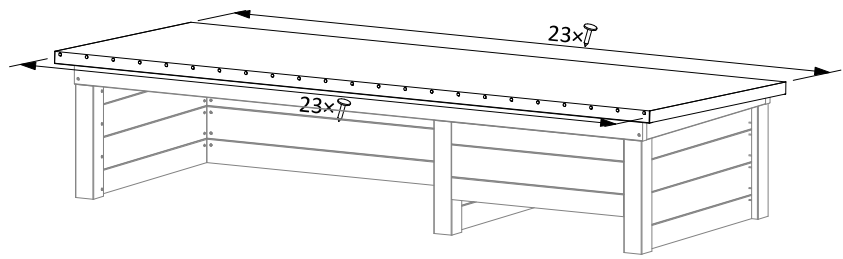
503398  
24×38/2270mm  
+ 3014 : ×4  
ø3,5×35




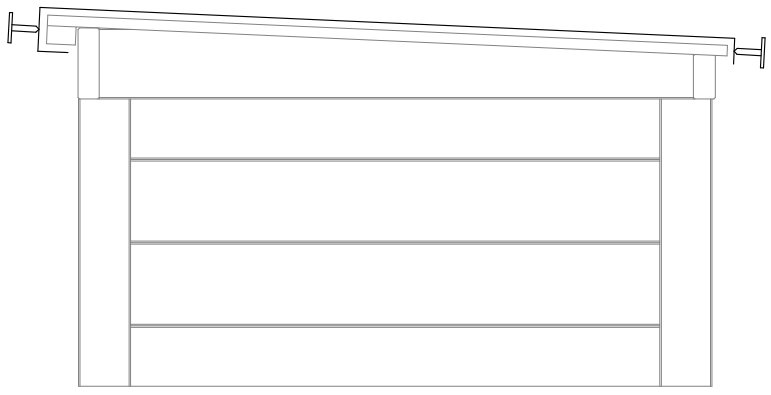
# 13



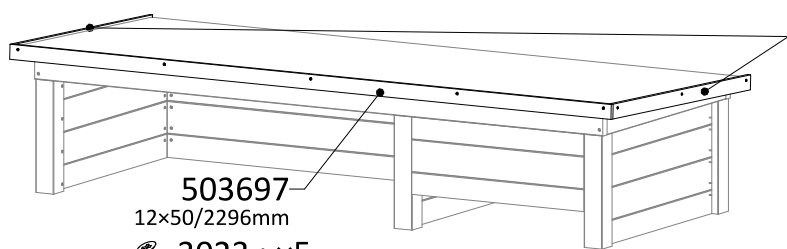
[EN] not included  
[FR] non incluse  
[NL] niet inbegrepen  
[DE] nicht einbegriffen  
[IT] non incluso  
[ES] non incluida  
[PT] não incluído





 3810 : x46  
15mm

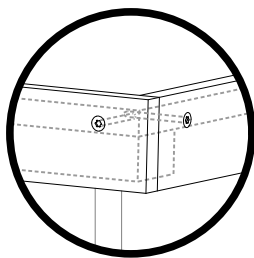


# 14



501968  
12x50/911mm  
+  3023 : x3  
ø4x40 **x2**

503697  
12x50/2296mm  
+  3023 : x5  
ø4x40



# 15



503700 1  
24x38/682mm

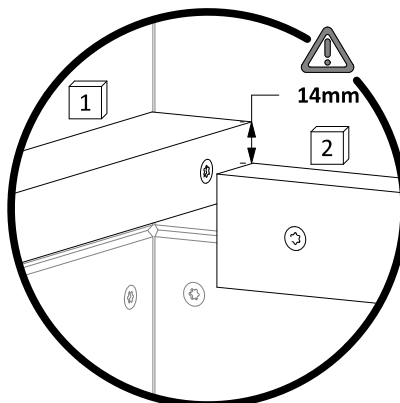
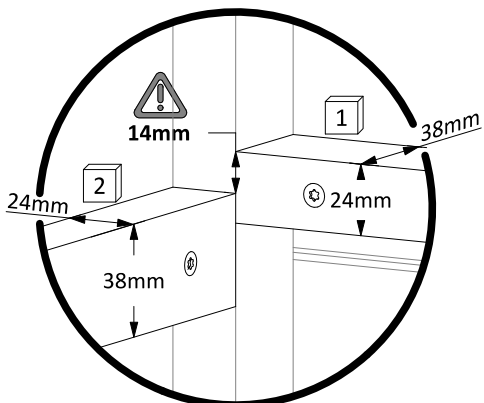
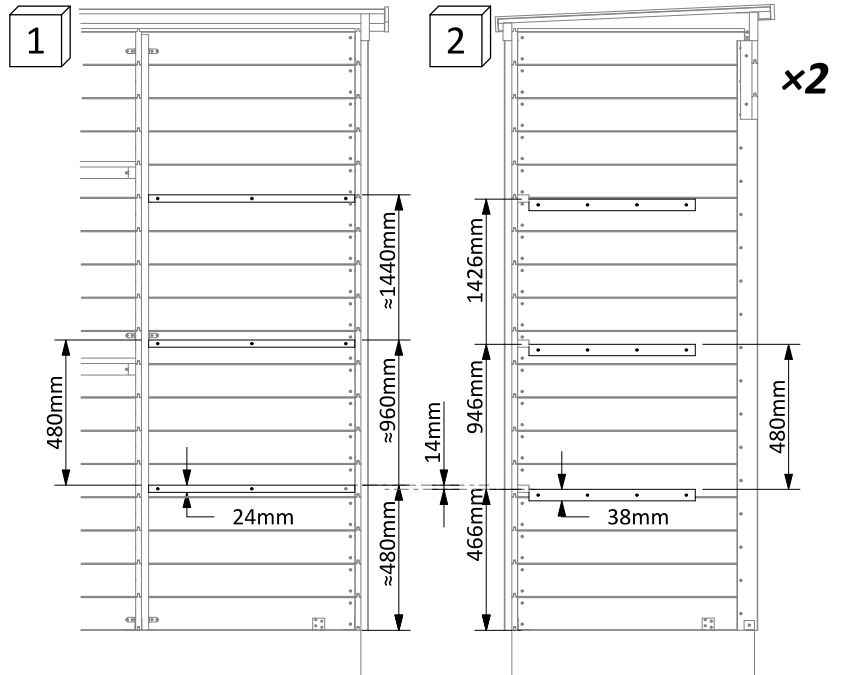
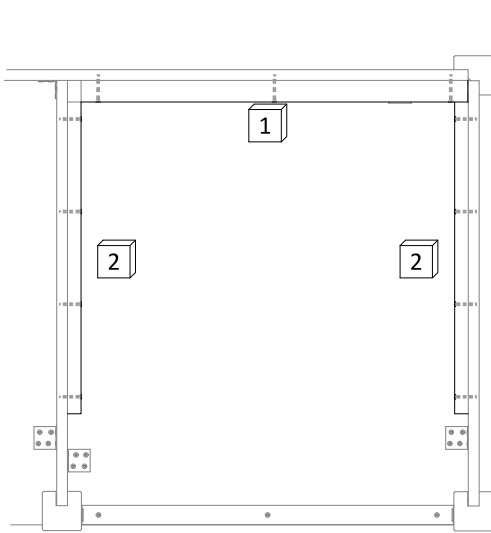
+ 3025 : x3  
ø4x50

503699 2  
24x38/550mm

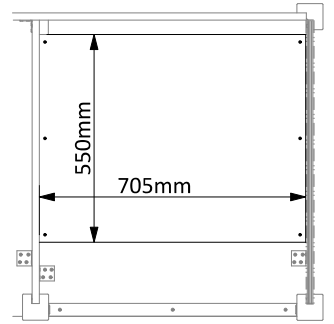
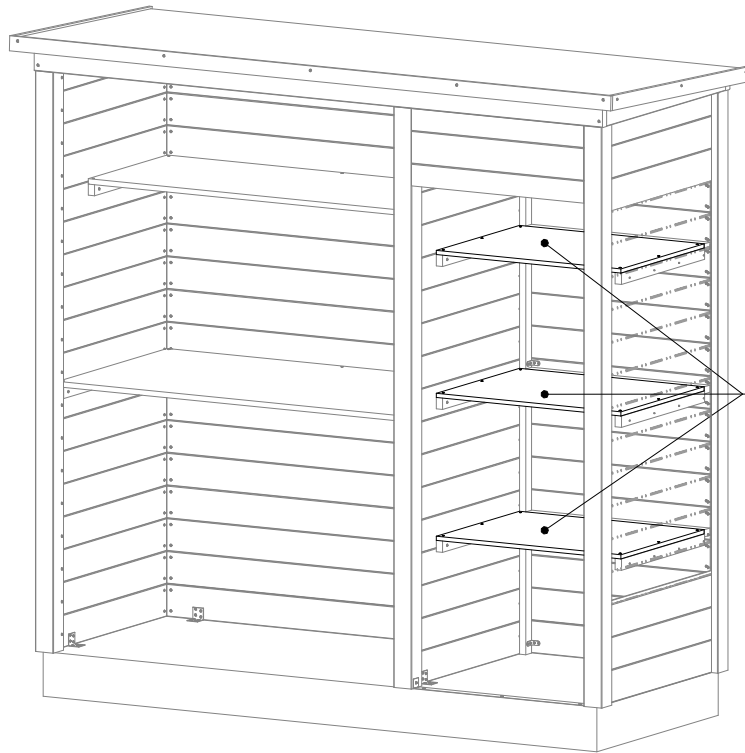
+ 3023 : x4  
ø4x40


x3

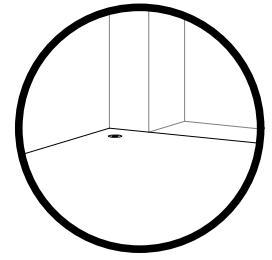
x2



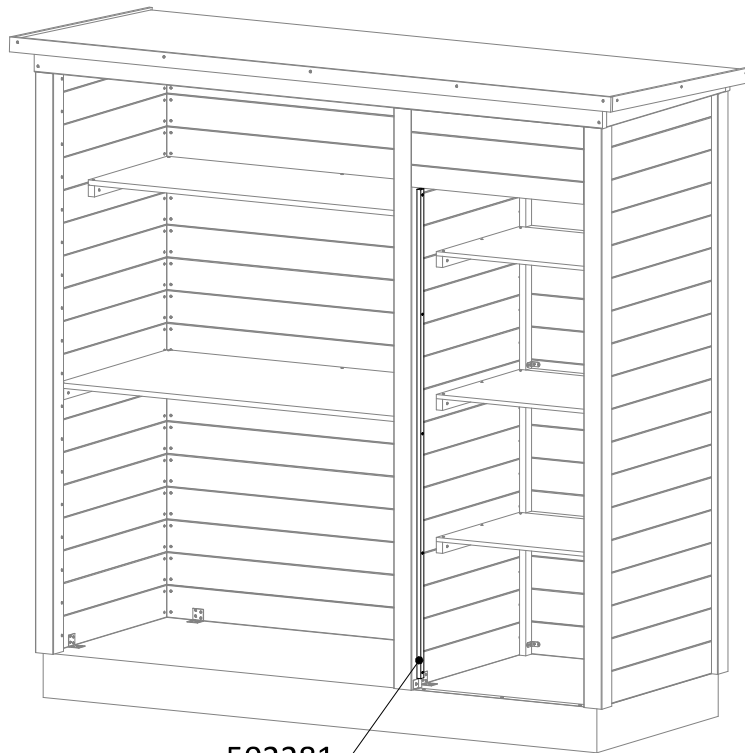
**16**




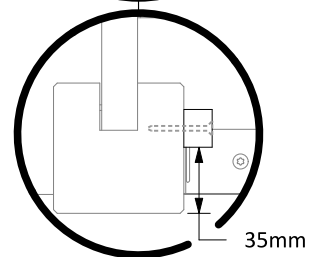
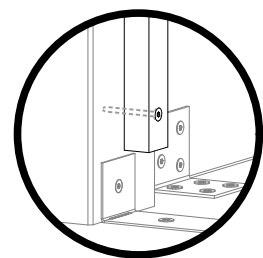
600658  
550x705/14mm  
+  3013 : x6  
ø3,5x30  
  
**x3**



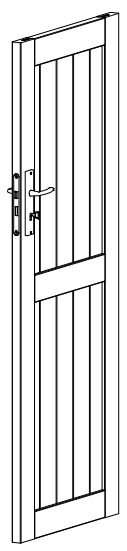
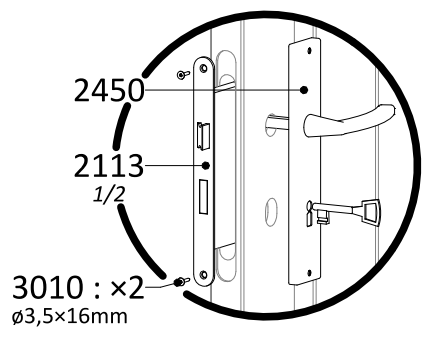
**17**



502281  
15x20/1642mm  
+  3014 : x5  
ø3,5x35



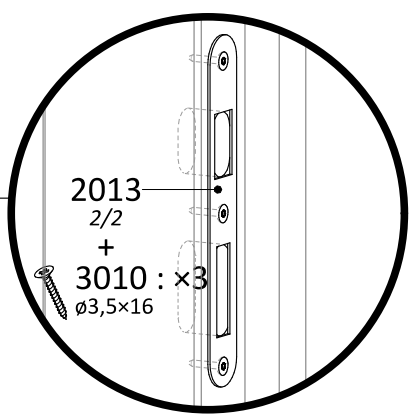
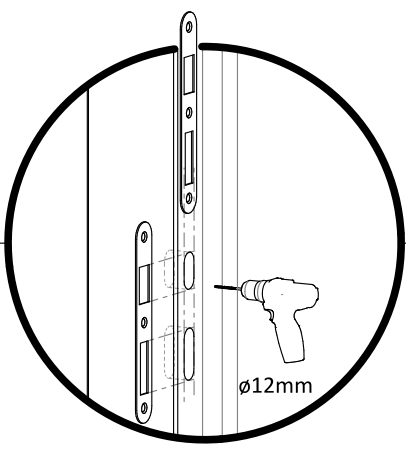
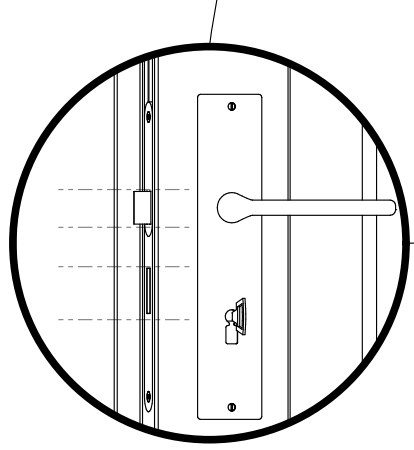
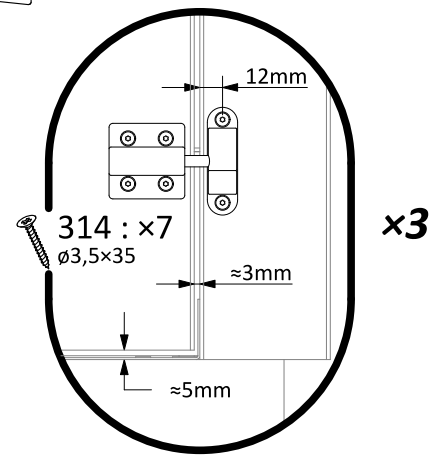
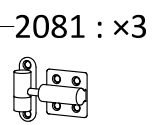
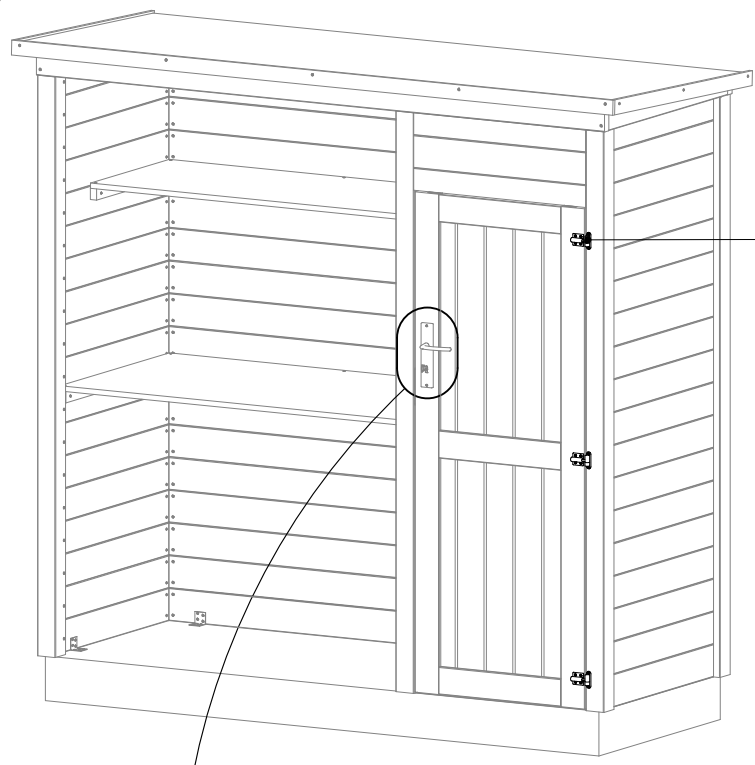
# 18



420208  
650x1680mm



# 19





- [EN] **Unique warranty number, must be send for any request.**
- [FR] **Numéro de garantie unique, à transmettre obligatoirement pour toute demande.**
- [NL] **Uniek garantienummer, dat voor alle aanvragen moet worden verstrekt.**
- [DE] **Eindeutige Garantienummer, muss bei jeder Anfrage gesendet werden.**
- [IT] **Numero di garanzia unico, da trasmettere obbligatorio per ogni richiesta.**
- [ES] **Numero único de garantía, se transmitirá obligatoriamente para todas las solicitudes.**
- [PT] **Número de garantia único, será transmitido obrigatoriamente para todas as solicitações.**

