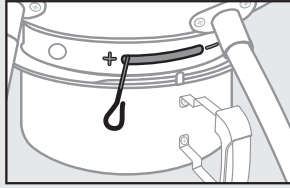


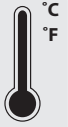
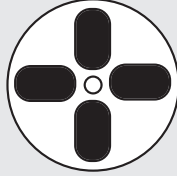
## TEMPERATURE CONTROL



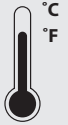
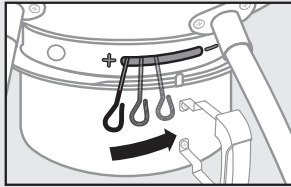
3.1



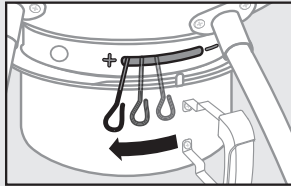
+



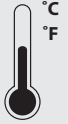
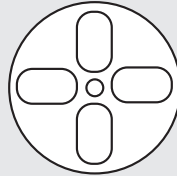
3.2



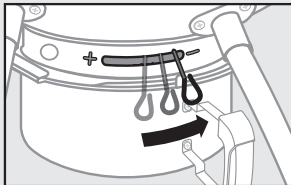
3.3



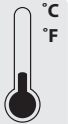
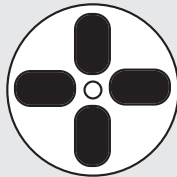
+



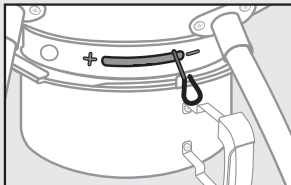
3.4



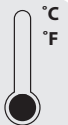
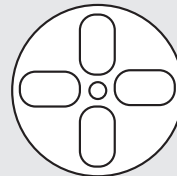
+



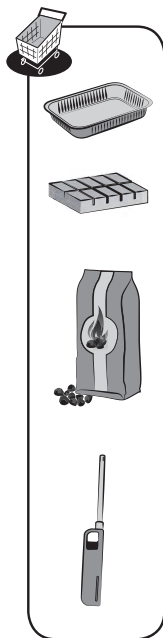
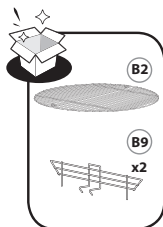
3.5



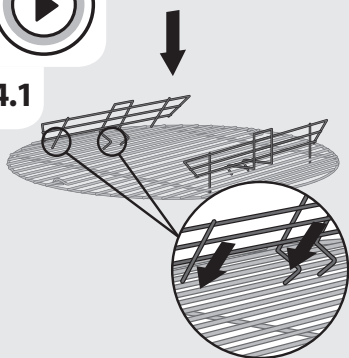
+



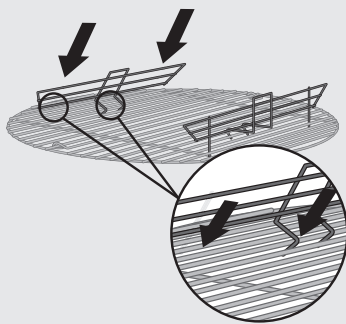
## INDIRECT COOKING



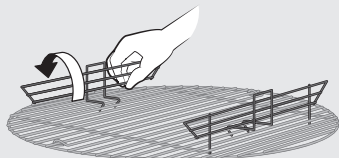
4.1



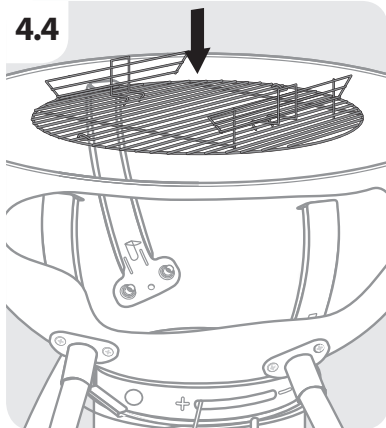
4.2



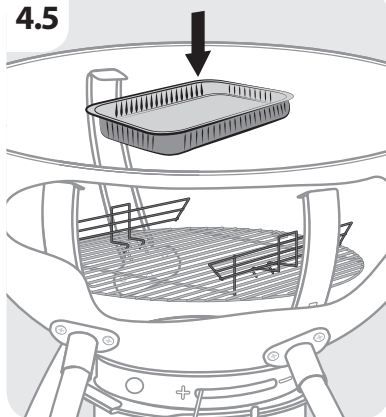
4.3



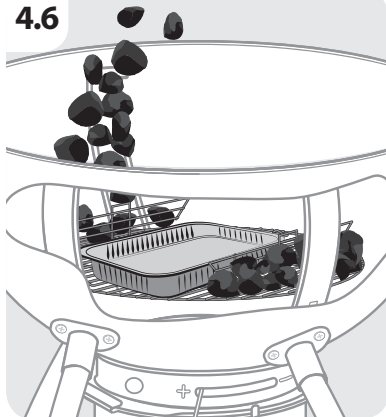
4.4



4.5

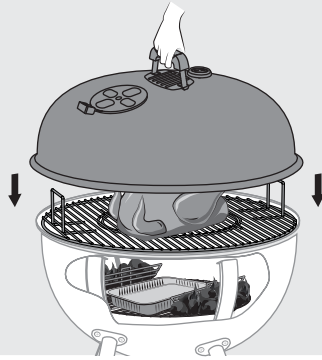


4.6

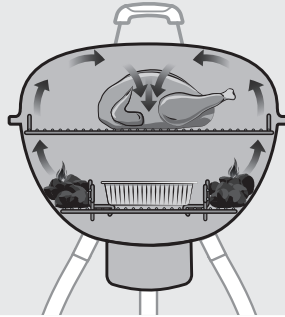




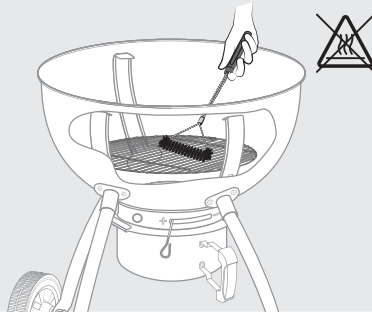
5



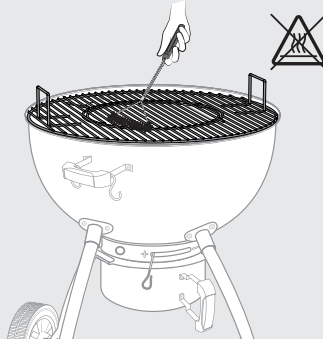
6



1

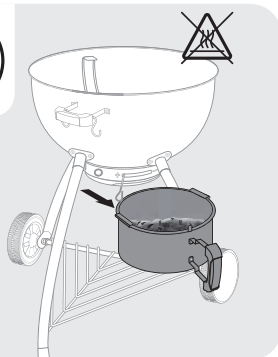


2

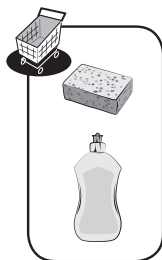
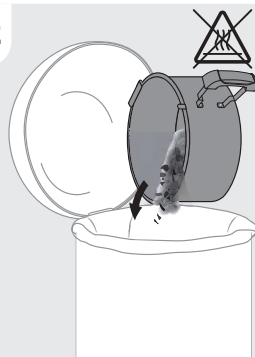




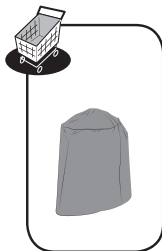
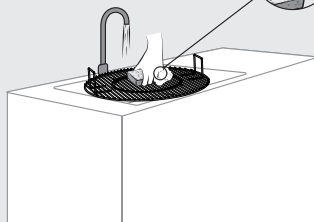
3.1



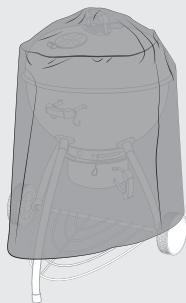
3.2



4



1



2

