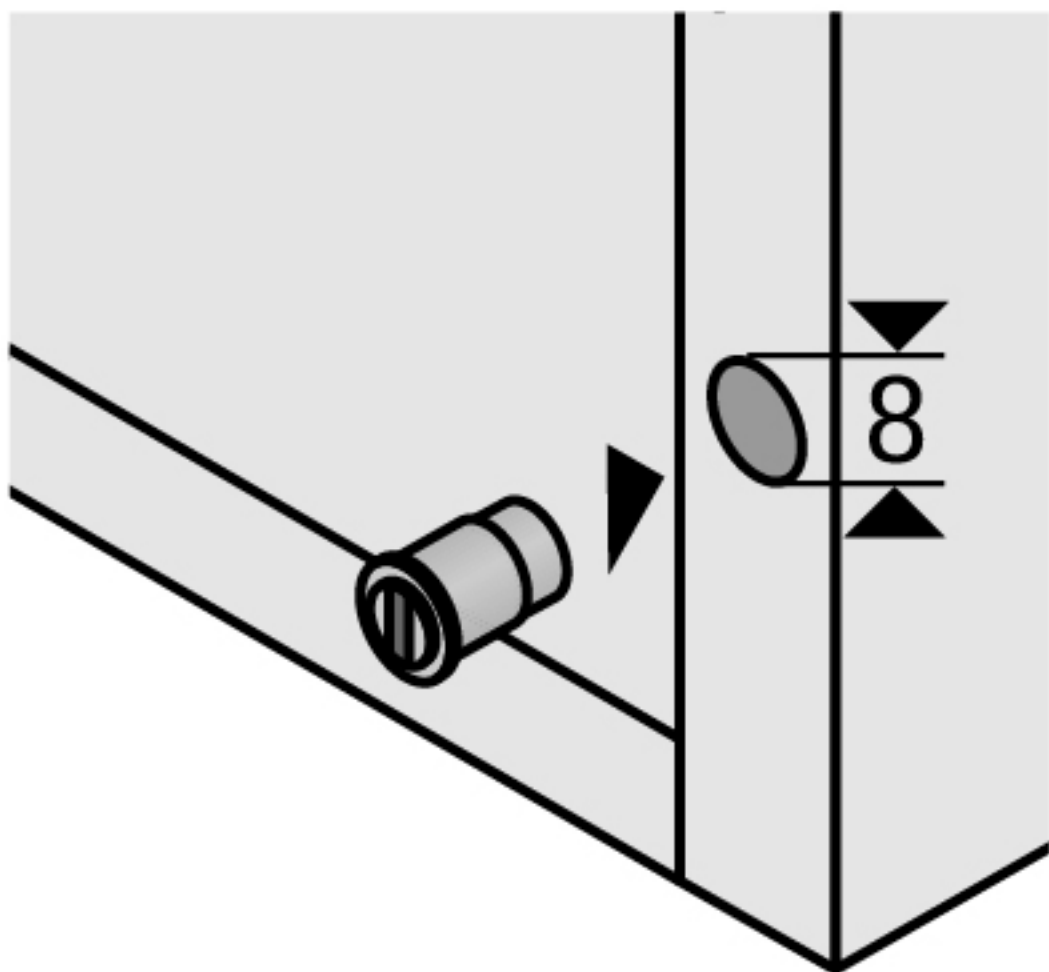
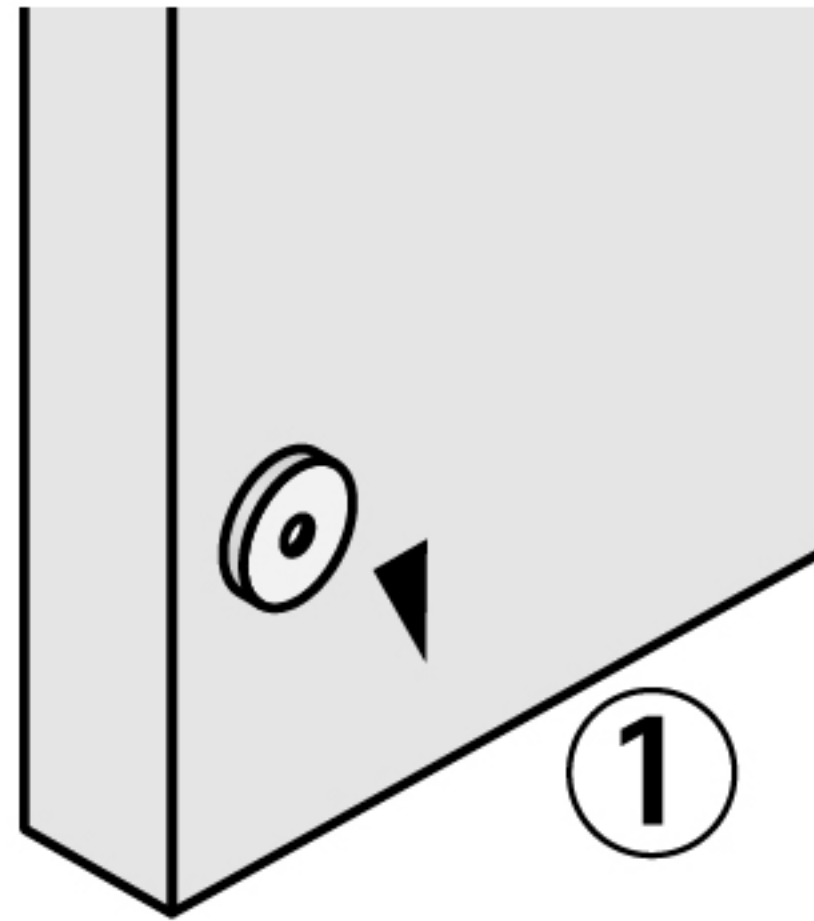
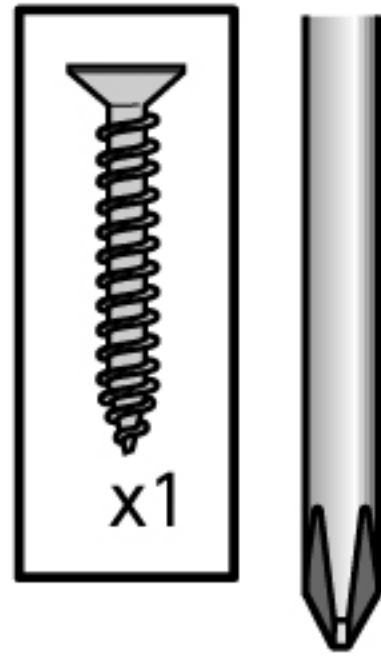
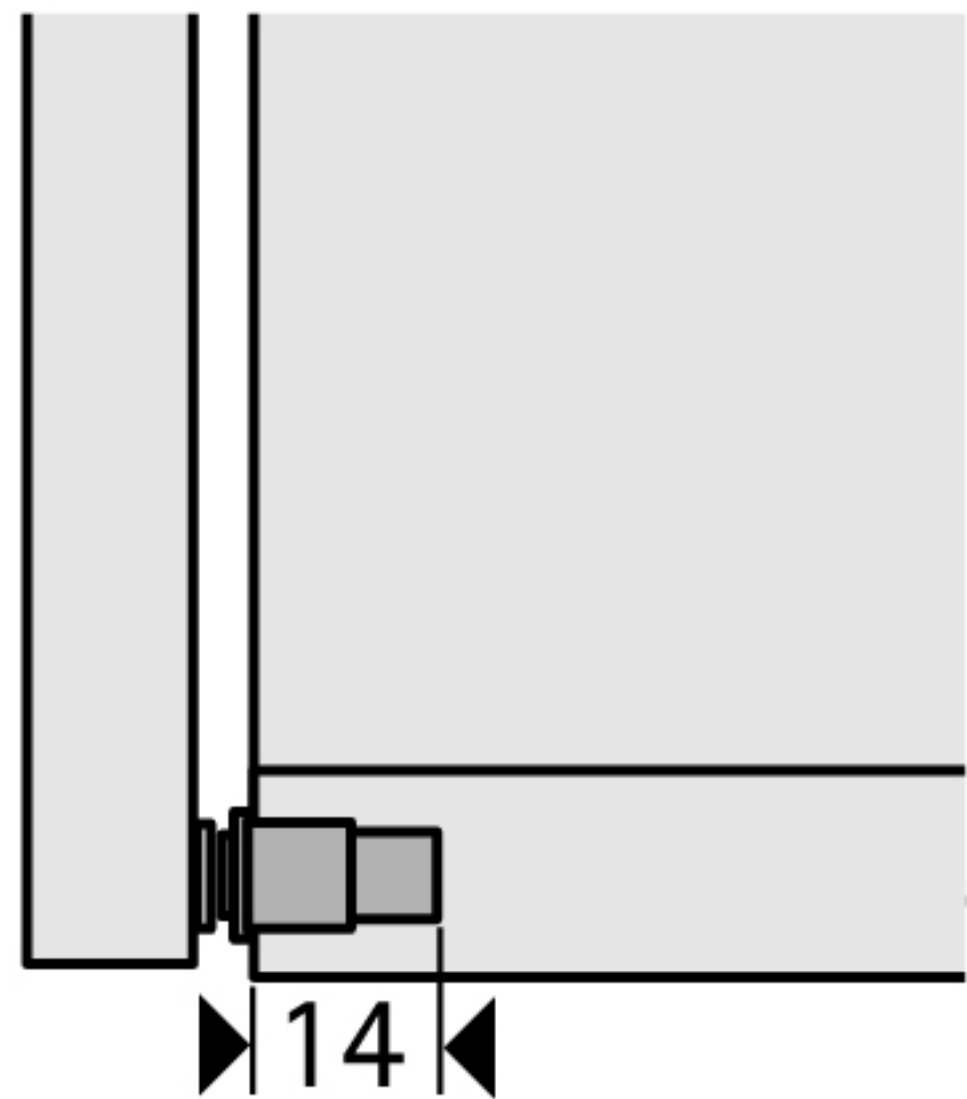


∅ 8 mm  
kg 1 kg



2



3