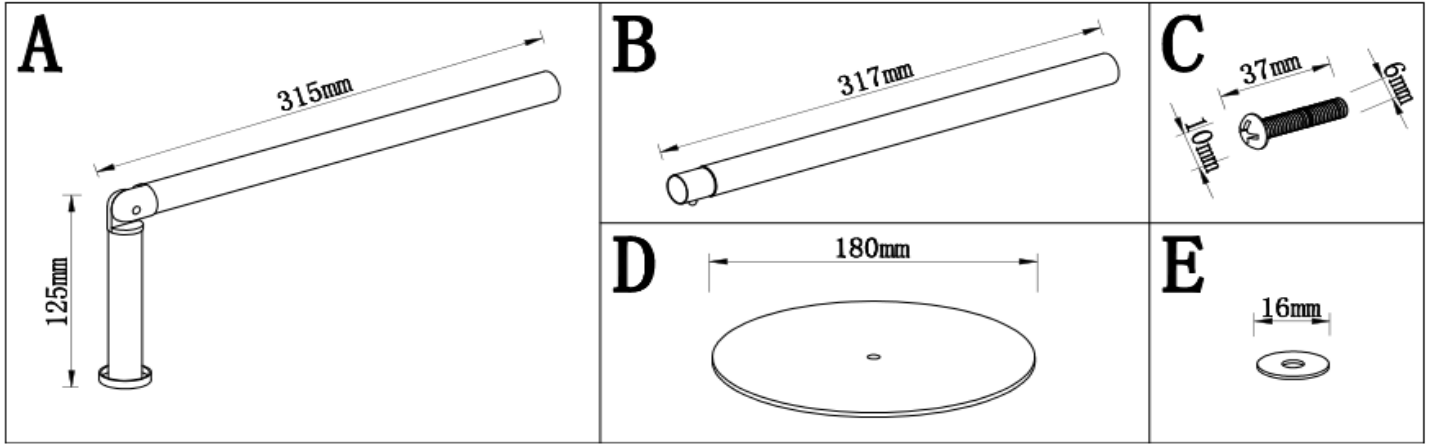


# Technical Drawing

<b>Supplier Name</b>	Liying(HongKong)Trading Co.,Ltd.
<b>Version No.</b>	PH9878CNEW□
<b>Product Range</b>	Bathroom Accessories

No.	ADEO Ref	EAN Code	No.	ADEO Ref	EAN Code
1	846955	3276000449034	4		
tolerance: +/-10mm measurement unit: mm color: black			5		
			6		

tolerance: +/-2mm  
measurement unit: mm



Name	Material
A	Iron
B	Iron
C	Iron
D	Iron
E	Iron
product weight:775g tolerance:10%	

surface treatment: powder coating