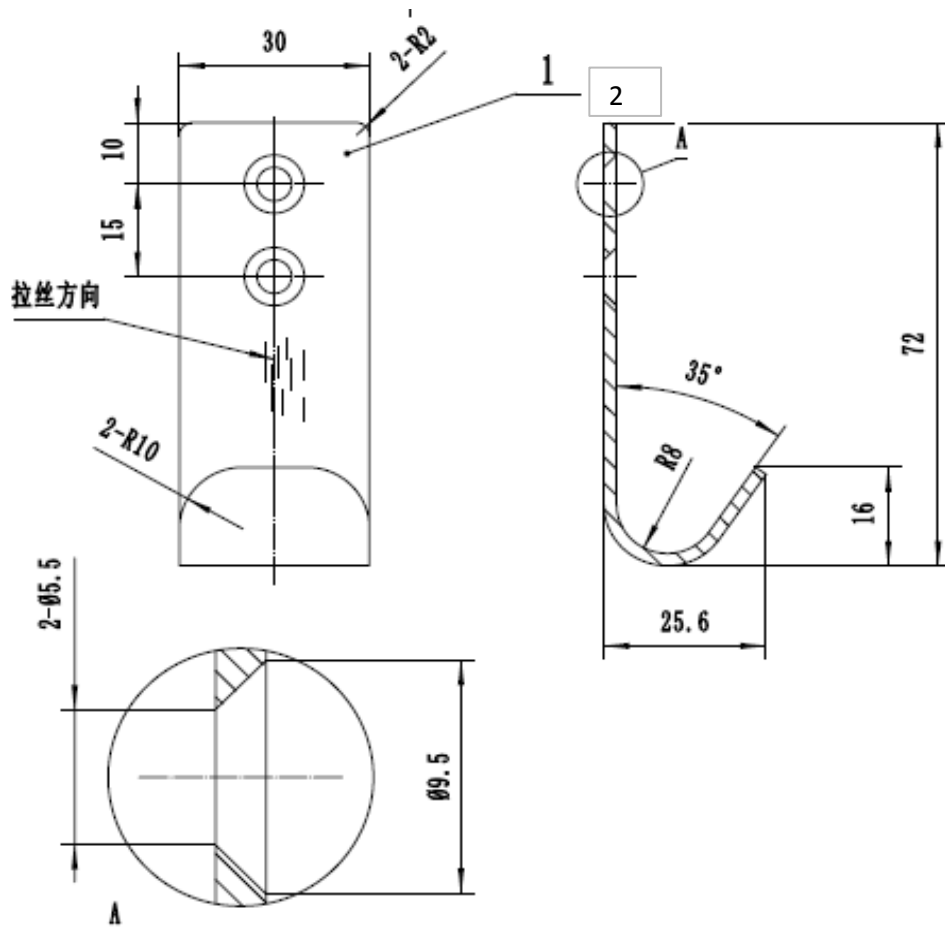


# BOM List for Products

<b>ADEO Ref</b>	845067
<b>EAN Code</b>	3276000547372

## Explosion Drawing

单位: mm



Parts No.	Quantity	Spec	Material & Surface process
1	1	t:2mm	SS201 brushed