

# BOM List for Products

ADEO Ref

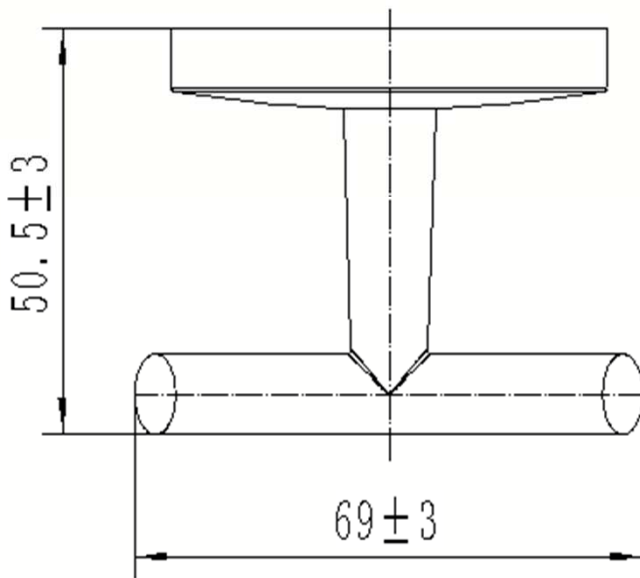
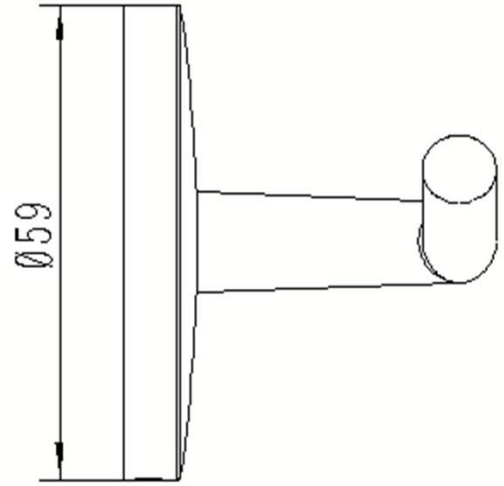
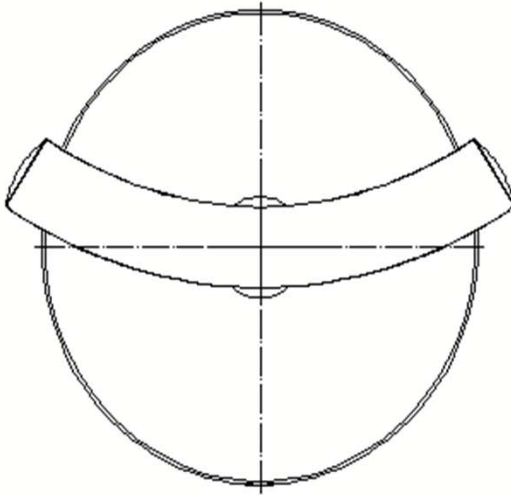
845079

EAN Code

3276000547297

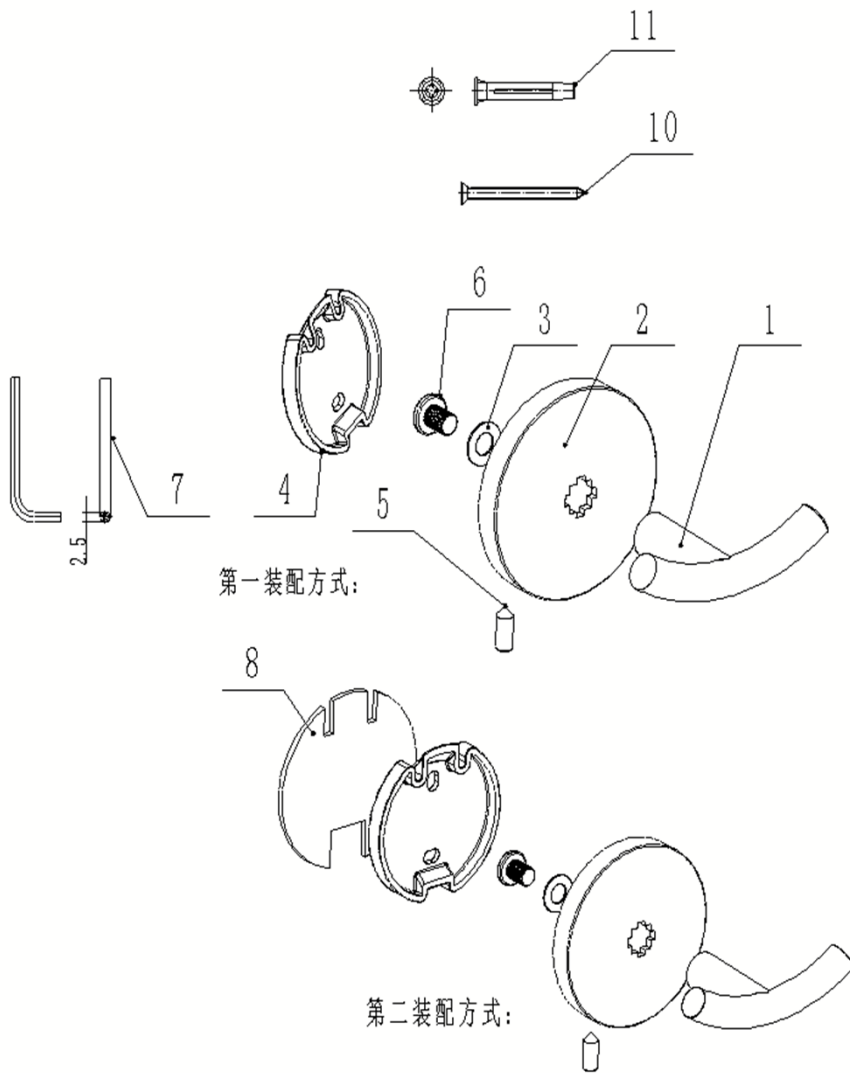
## Explosion Drawing

单位: mm



# BOM List for Products

ADEO Ref	845079
EAN Code	3276000547297



Parts No.	Quantity	Spec	Material & Surface process
1	1	/	zinc alloy
2	1	/	zinc alloy
3	1	φ11.5mm	steel
4	1	/	zinc alloy
5	1	M5*12mm	SS
6	1	M6*10mm	steel
7	1	/	steel
8	1	/	3M stick
10	2	ST4*50mm	SS
11	2	ø6X40	plastic