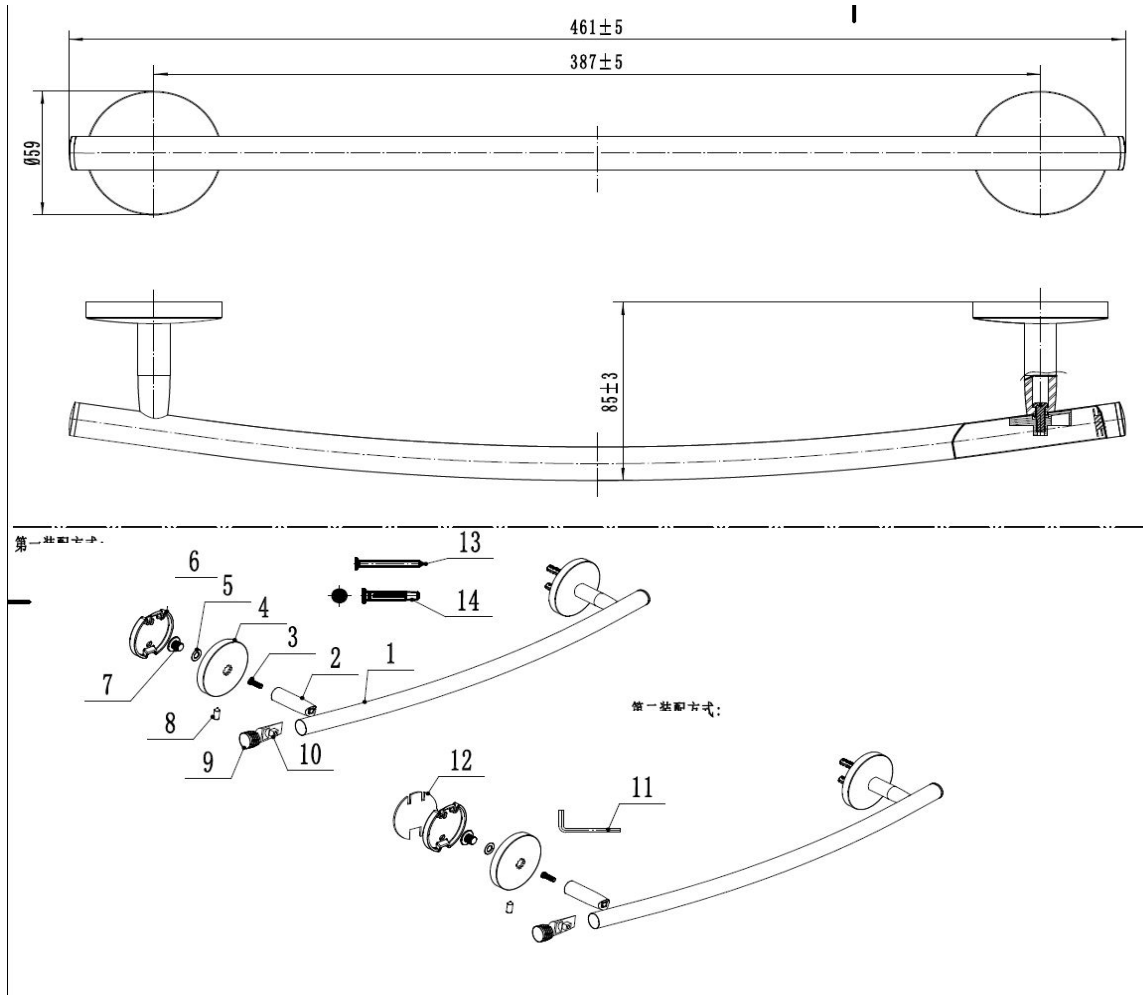


BOM List for Products

ADEO Ref	845119
EAN Code	3276000546894

Explosion Drawing

单位: mm



Parts No.	Quantity	Spec	Material & Surface process
1	1	φ15.5*0.3	SS201+Chrome
2	2	/	zinc alloy+Chrome
3	2	M4*12	Steel with zinc
4	2	/	zinc alloy+Chrome
5	2	φ15*φ8.5*0.5	Steel with zinc
6	2	/	zinc alloy+natrual
7	2	M8*10	Steel with zinc
8	2	M5*12	SS201
9	2	/	ABS
10	2	/	zinc alloy+natrual
11	1	/	Steel with nickel
12	2	/	3M
13	4	4.0*50	SS
14	4	φ6.0*40	PP