

# BOM List for Products

ADEO Ref

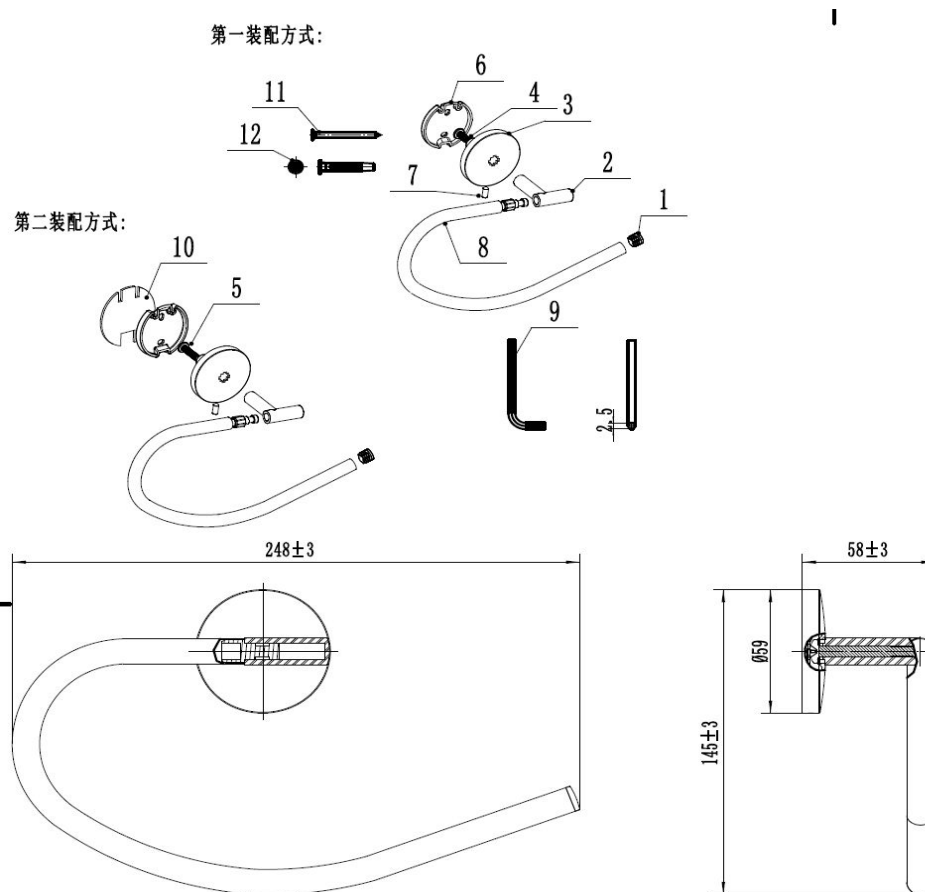
845120

EAN Code

3276000546887

## Explosion Drawing

单位: mm



Parts No.	Quantity	Spec	Material & Surface process
1	1	/	ABS
2	1	/	zinc alloy
3	1	/	zinc alloy
4	1	$\phi 11.5 * \phi 6.5 * 0.5$	Steel with zinc
5	1	M5*43	Steel with zinc
6	1	/	zinc alloy
7	1	M5*12	SS201
8	1	$\phi 12 * 0.5$	SS201
9	1	/	Steel
10	1	/	3M
11	2	4.5*50	SS
12	2	$\phi 6.0 * 40$	PP